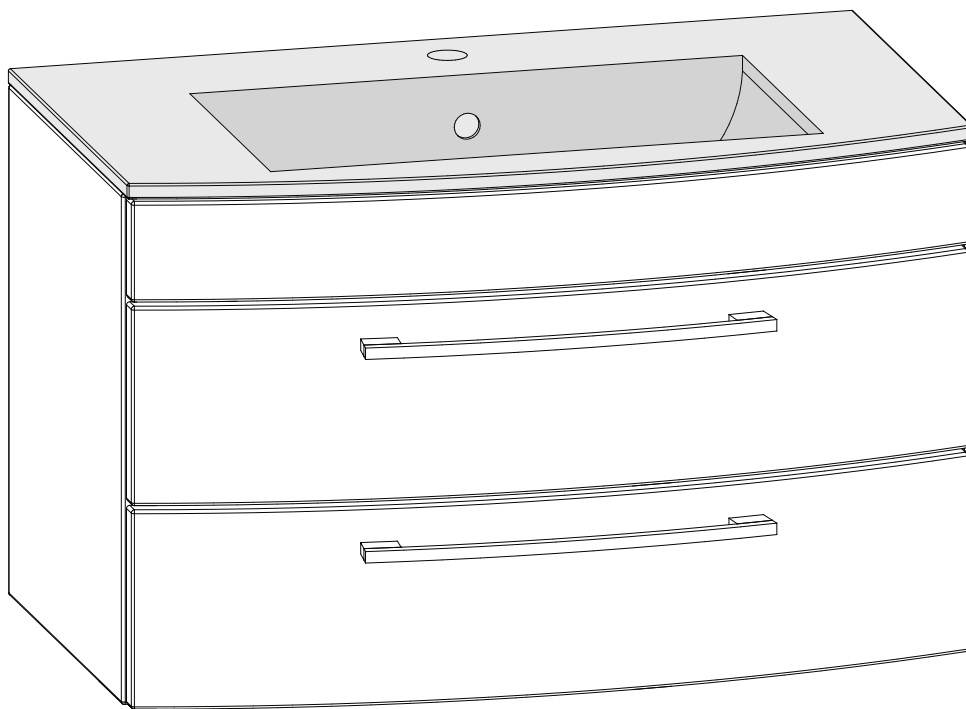
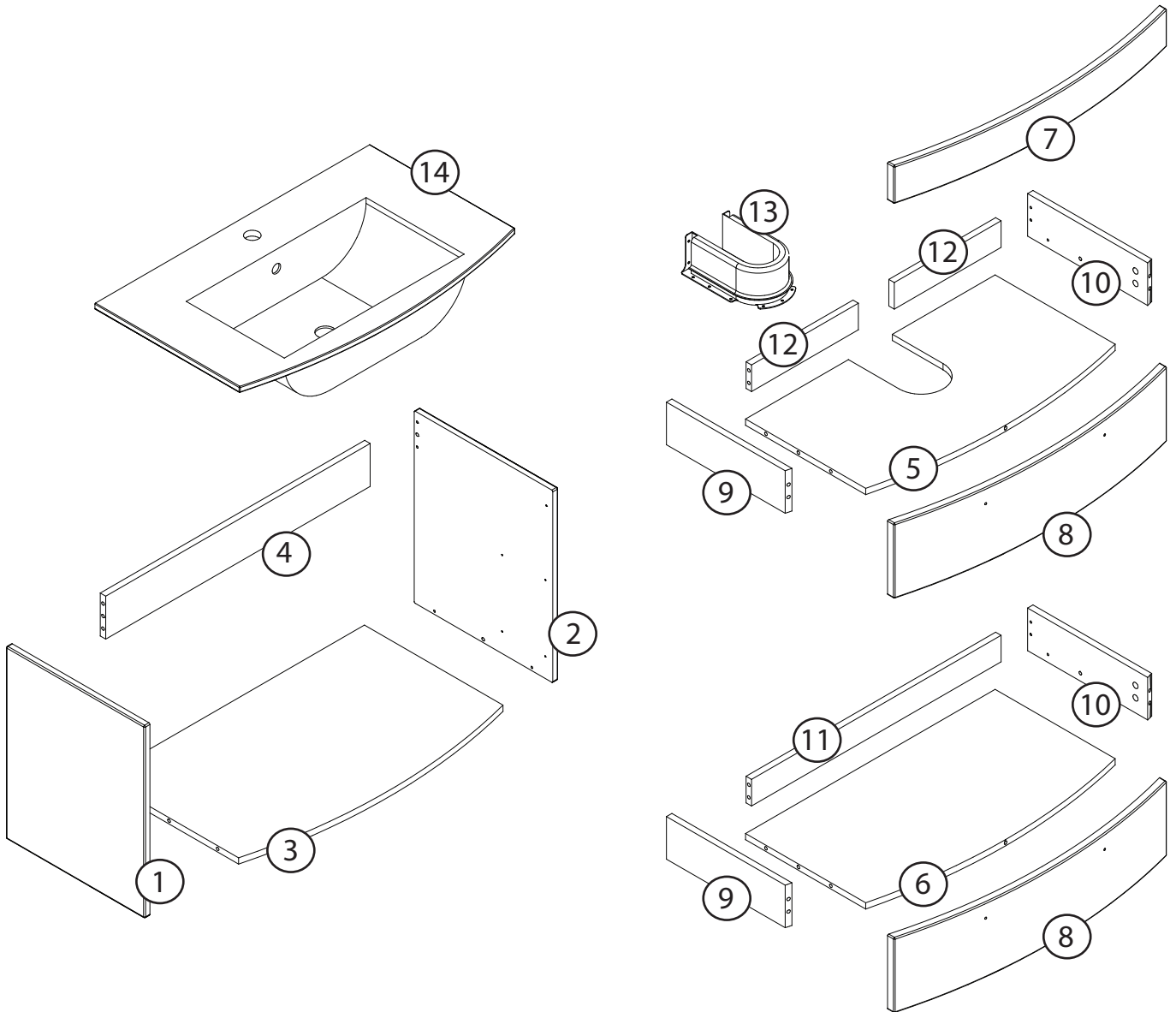
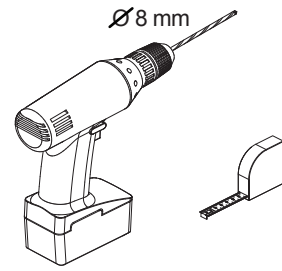
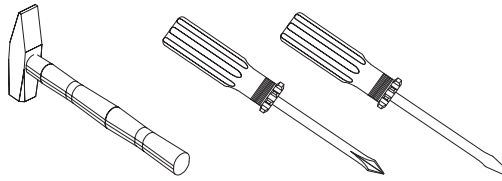
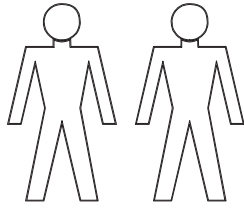

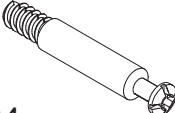
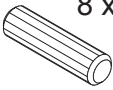


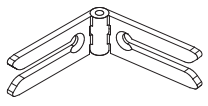
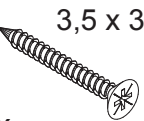
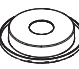

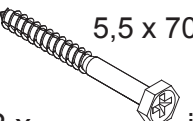
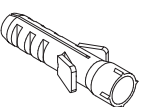
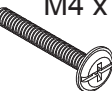
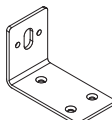

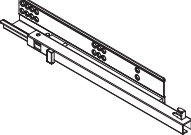
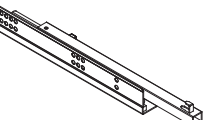
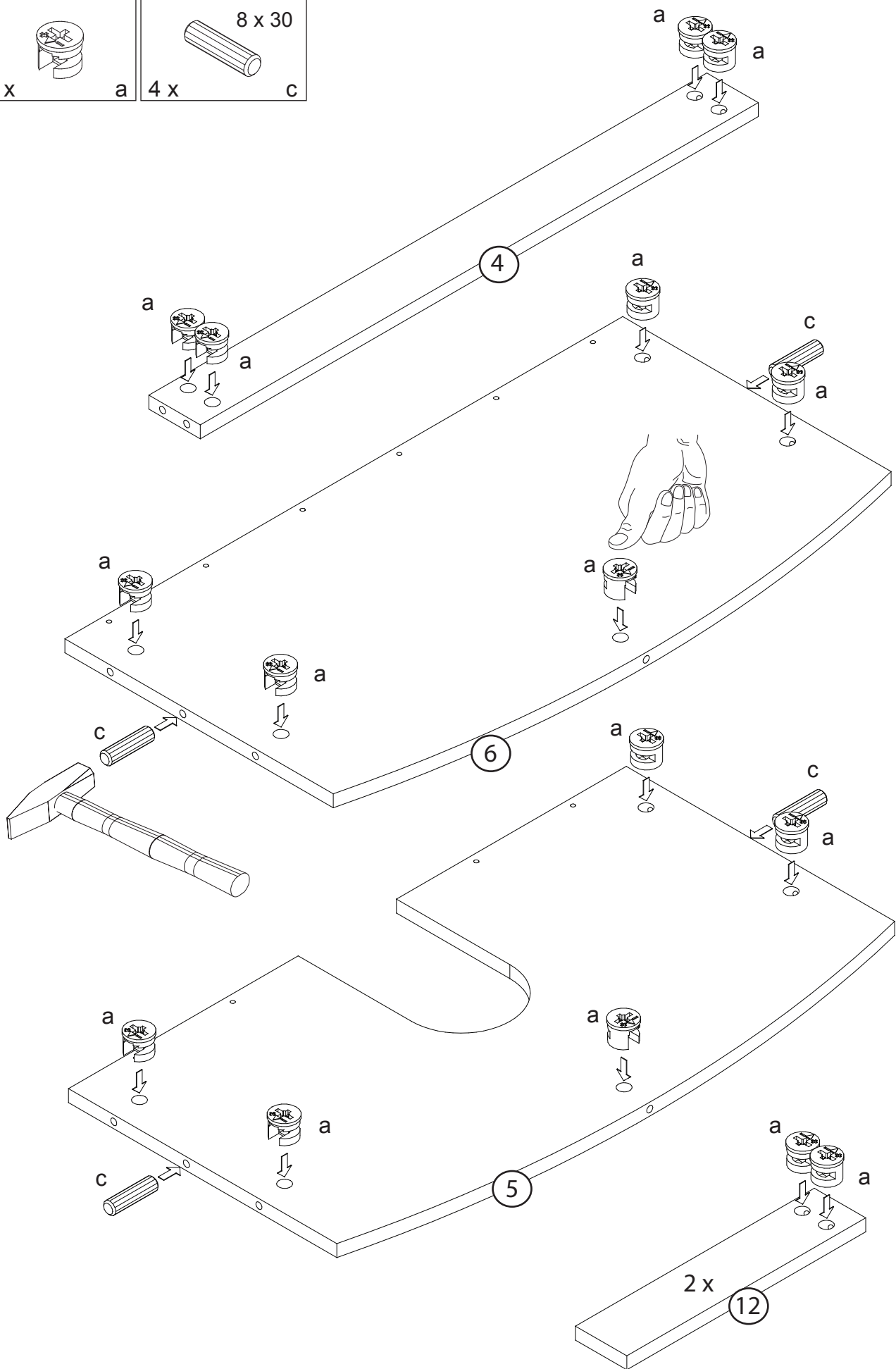
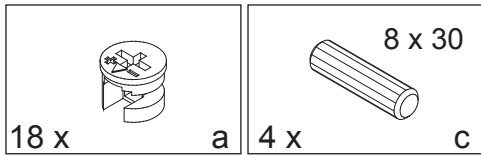


B 900



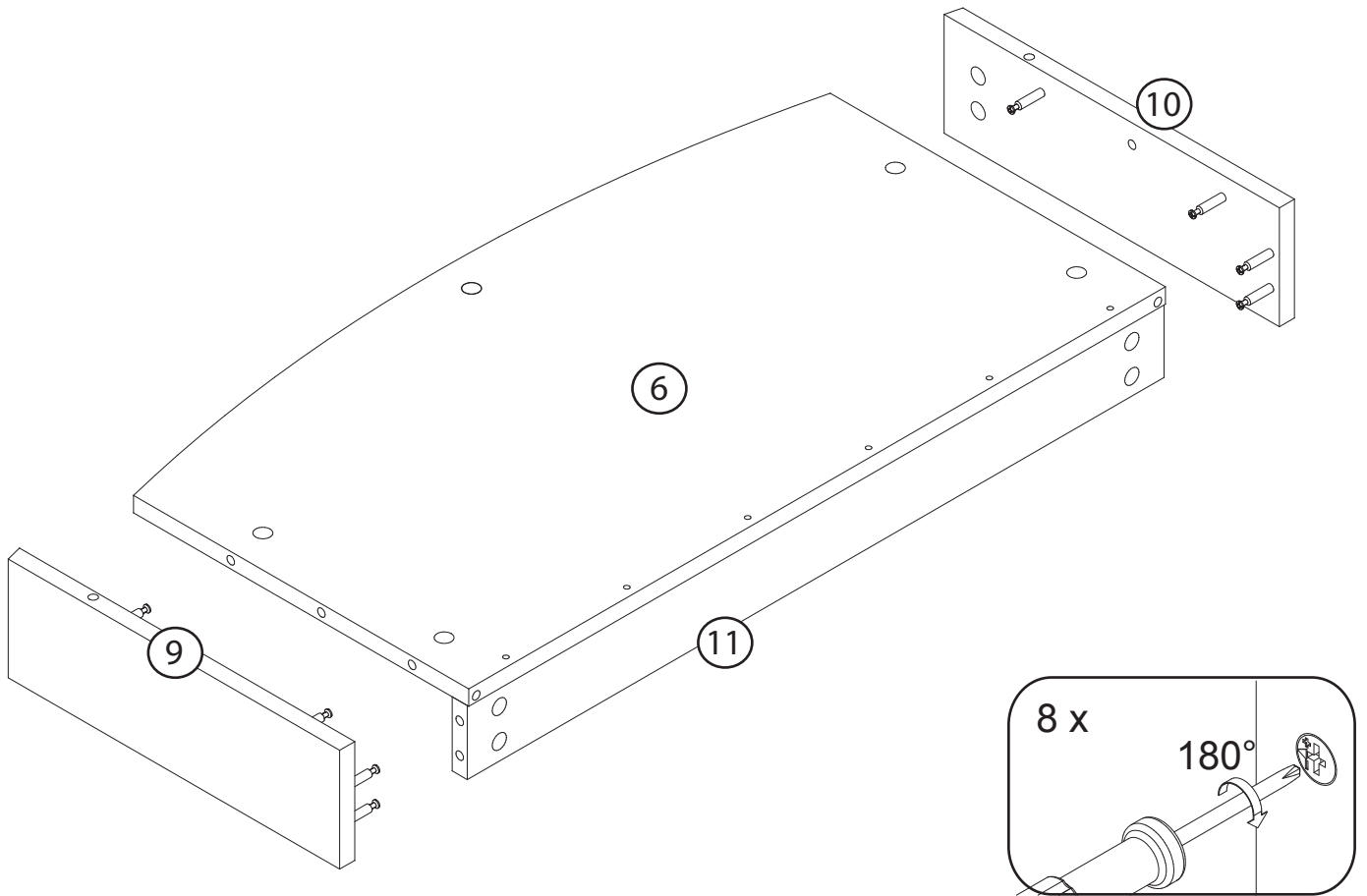


 34 x a	 34 x b	 8 x 30 c	 3,5 x 15 d	 4,0 x 20 e	 2 x f
 10 x g	 2 x h	 2 x i	 2 x j	 2 x k	 4 x l
 2 x m	 2 x n	 2 x o	 2 x p		

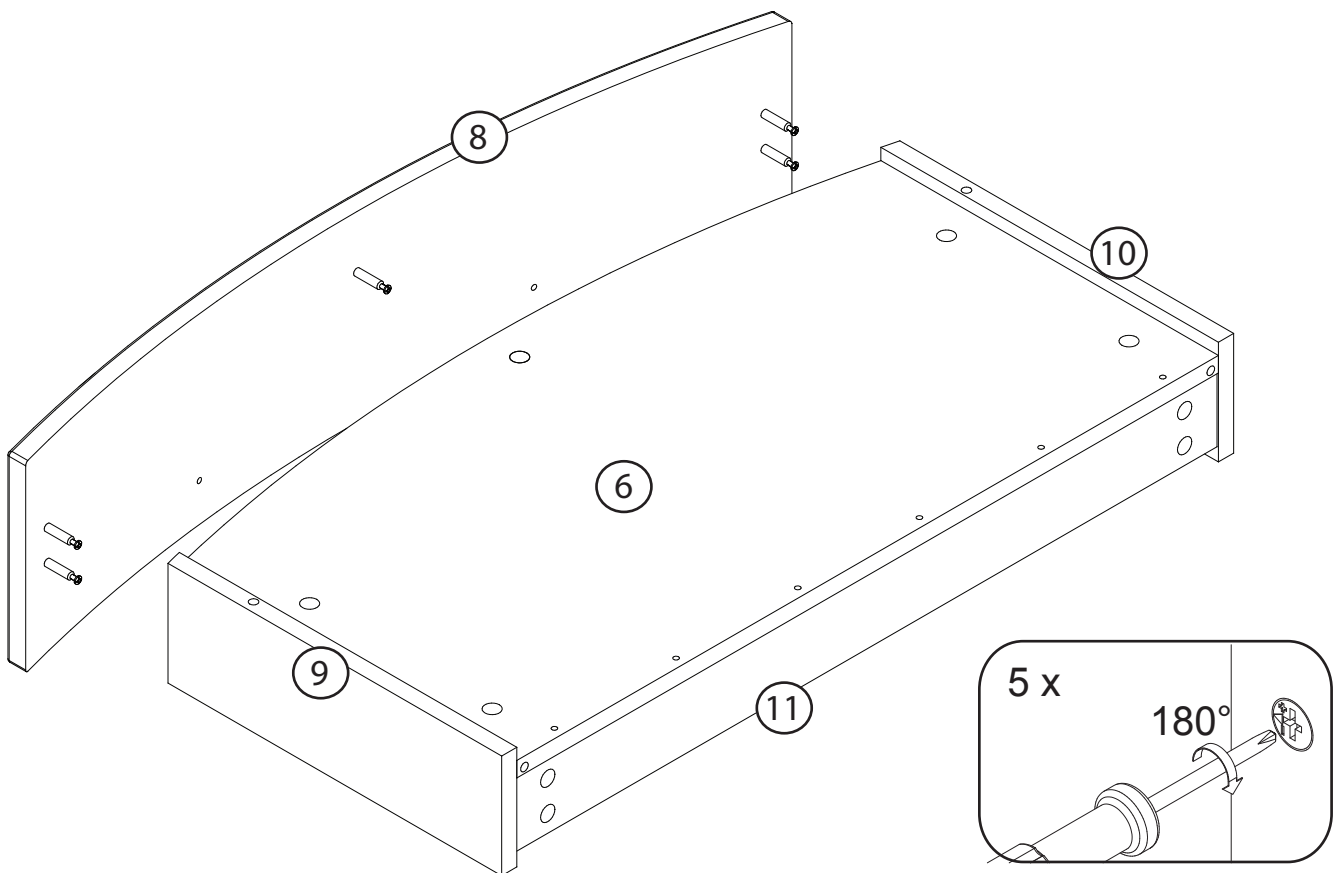




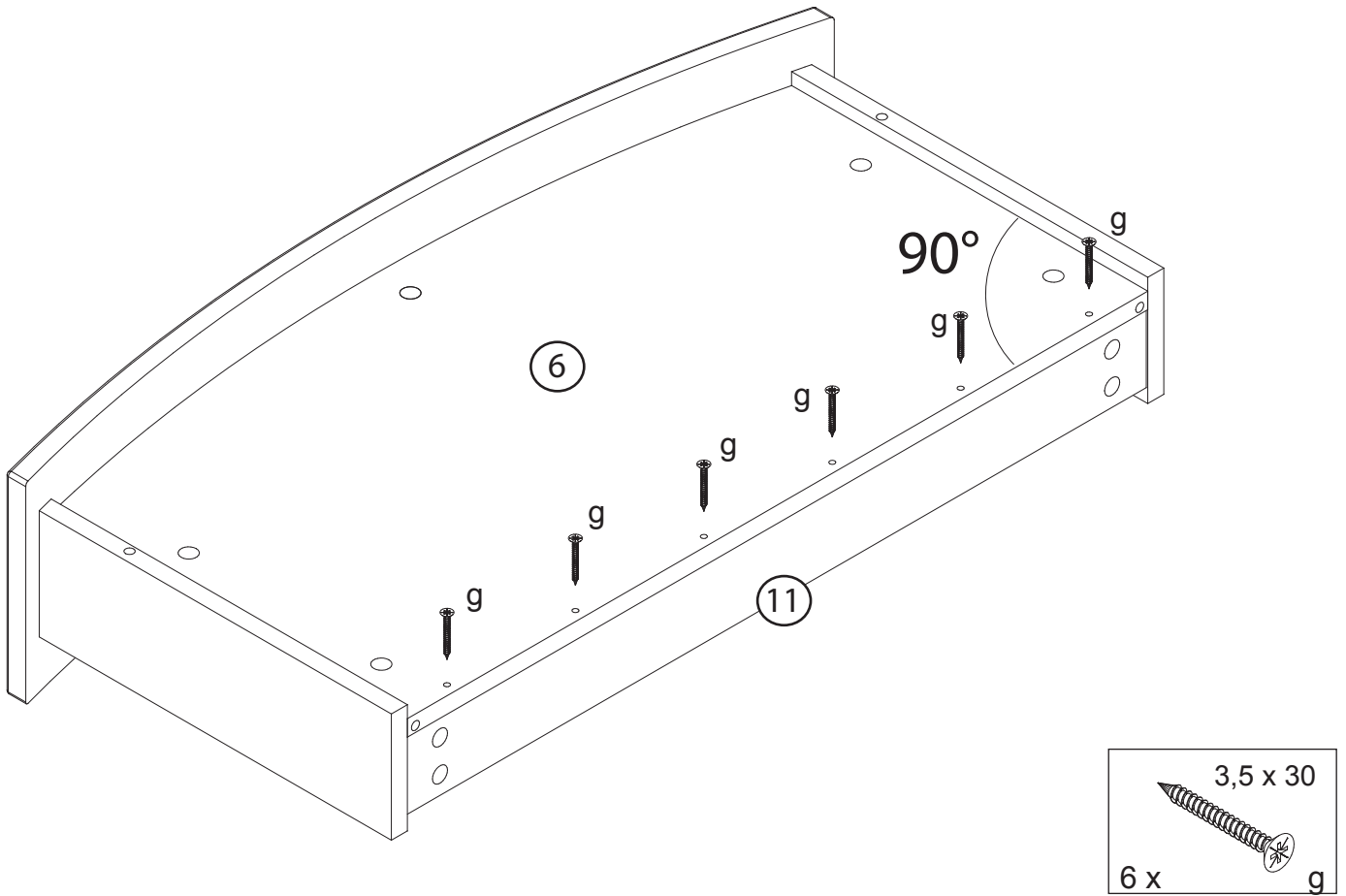
4



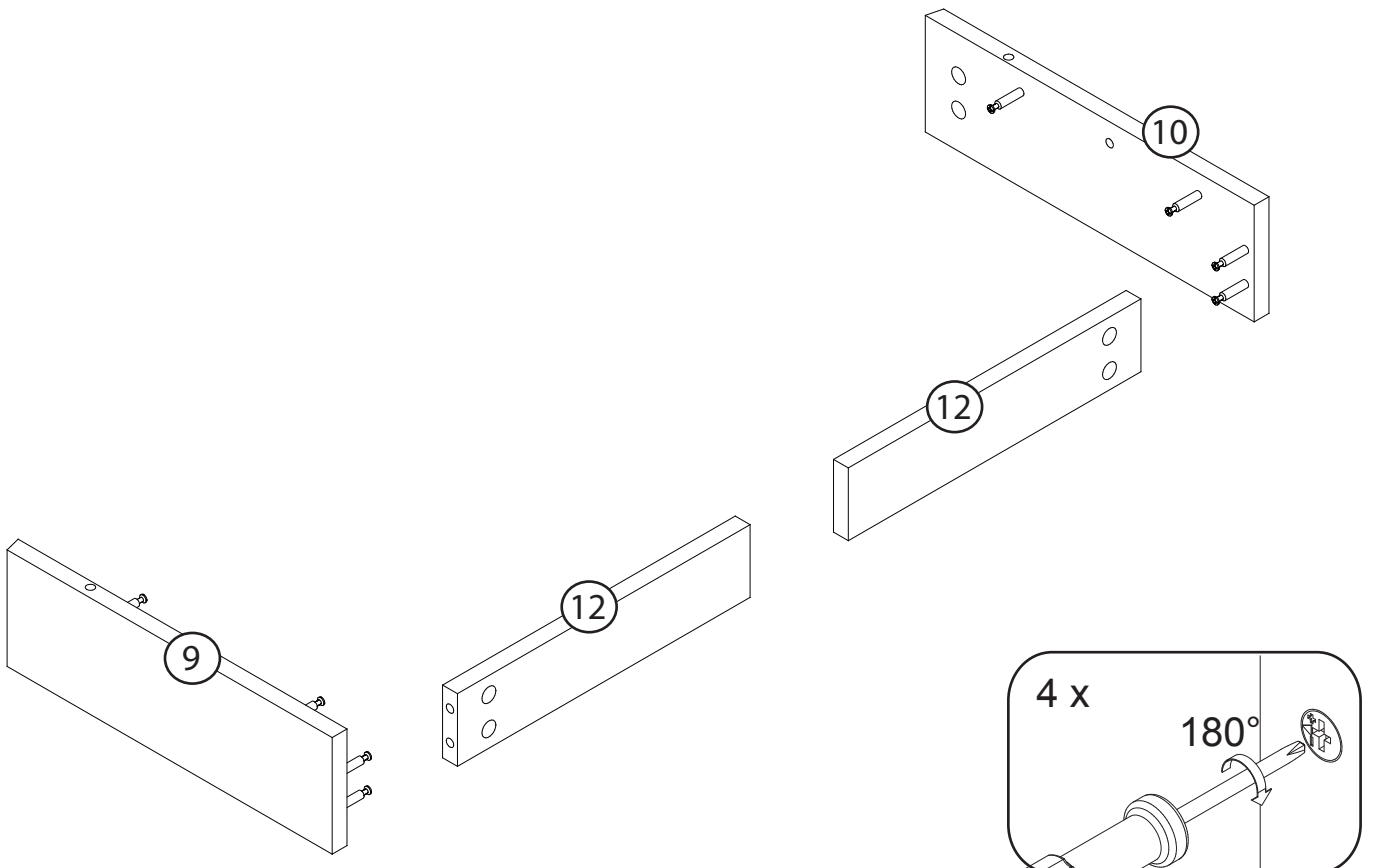
5



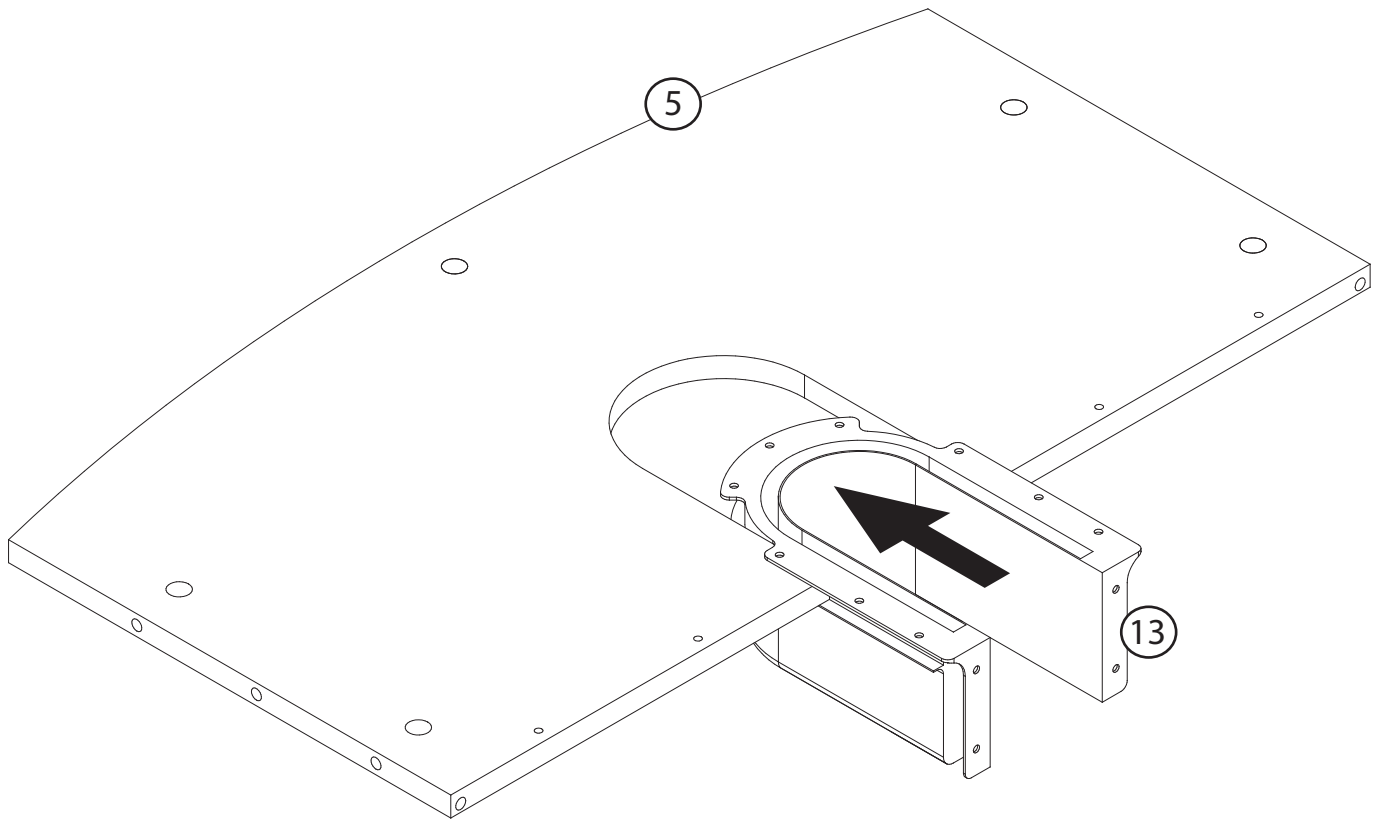
6



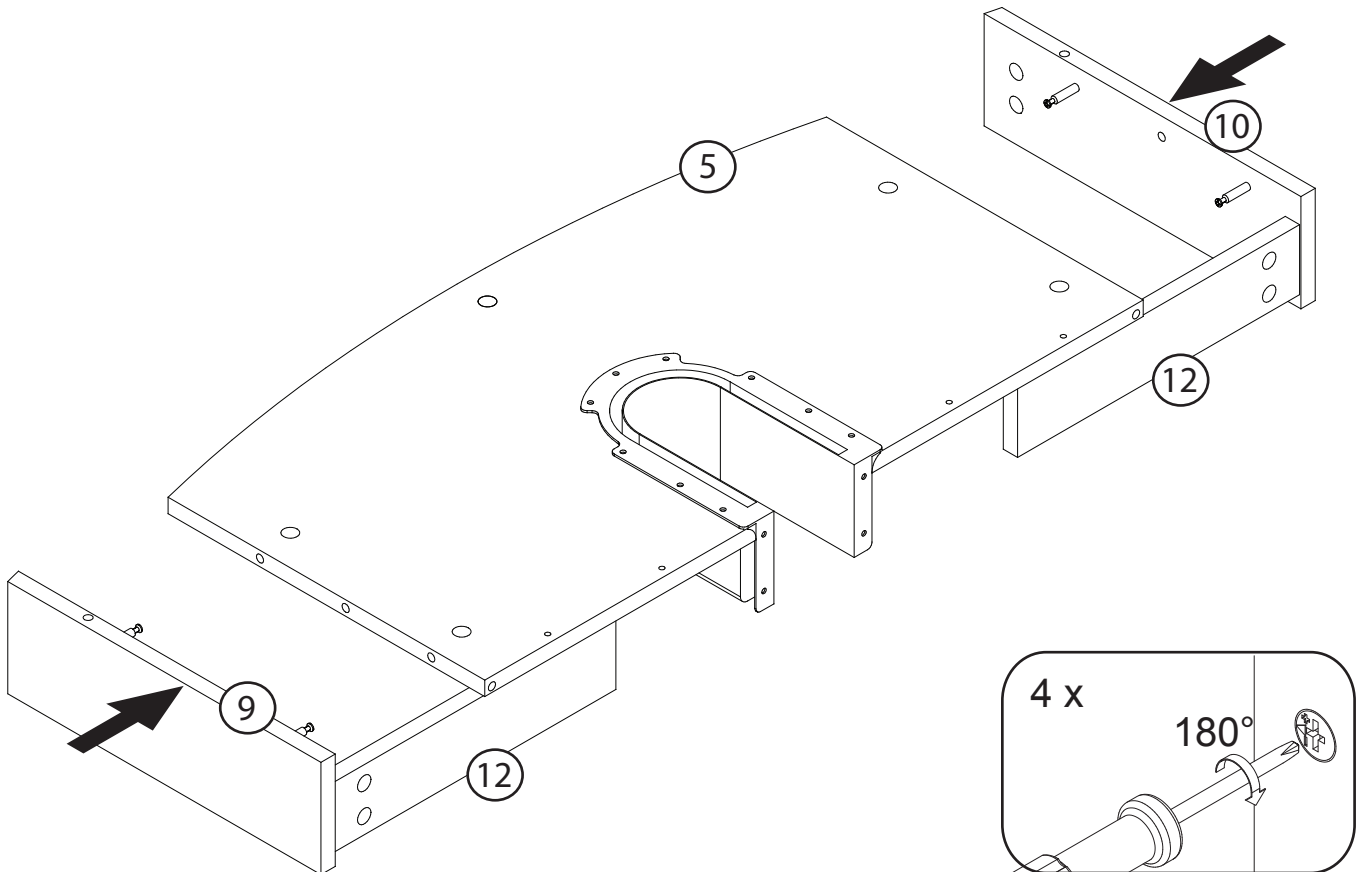
7



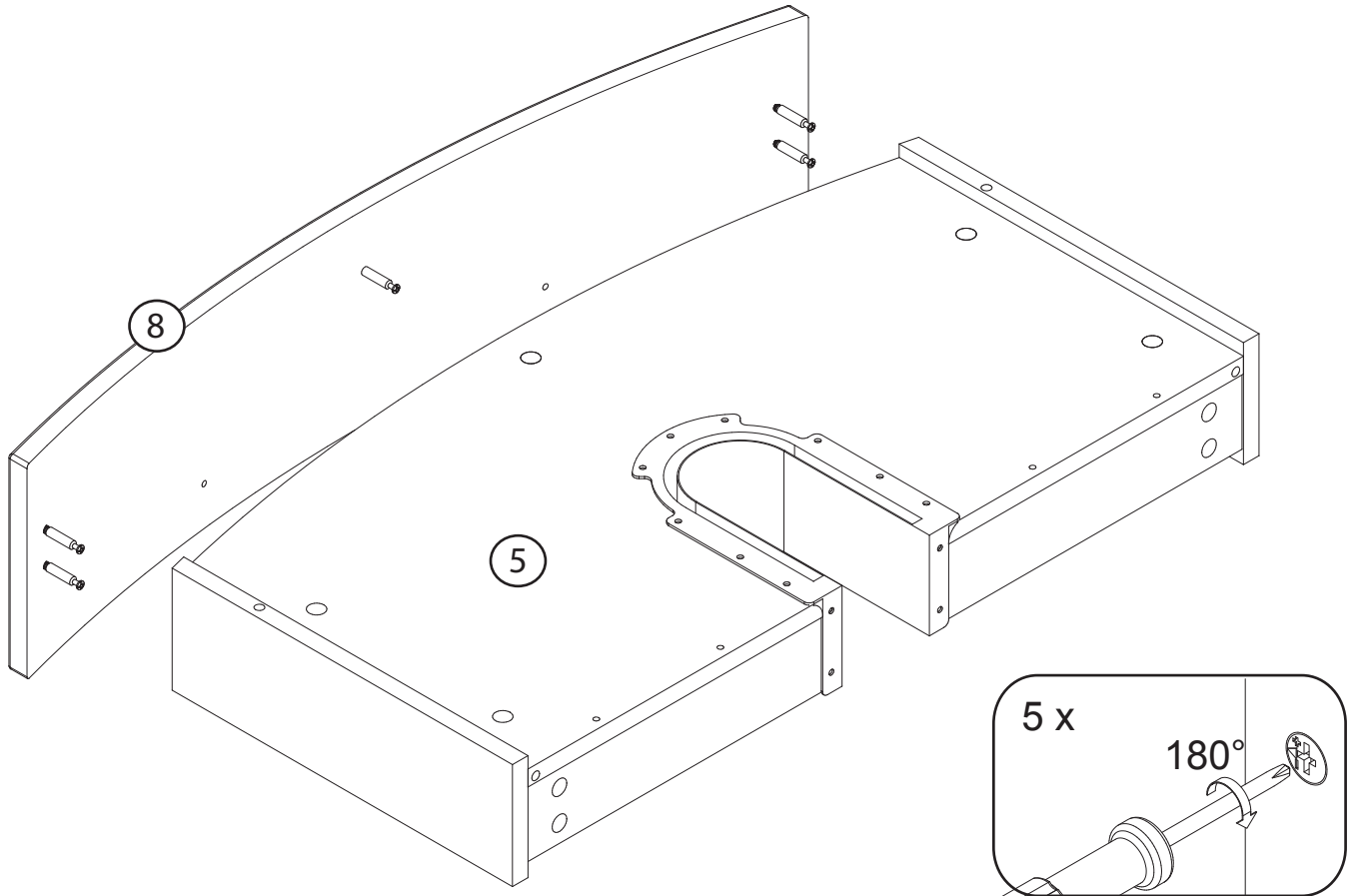
8



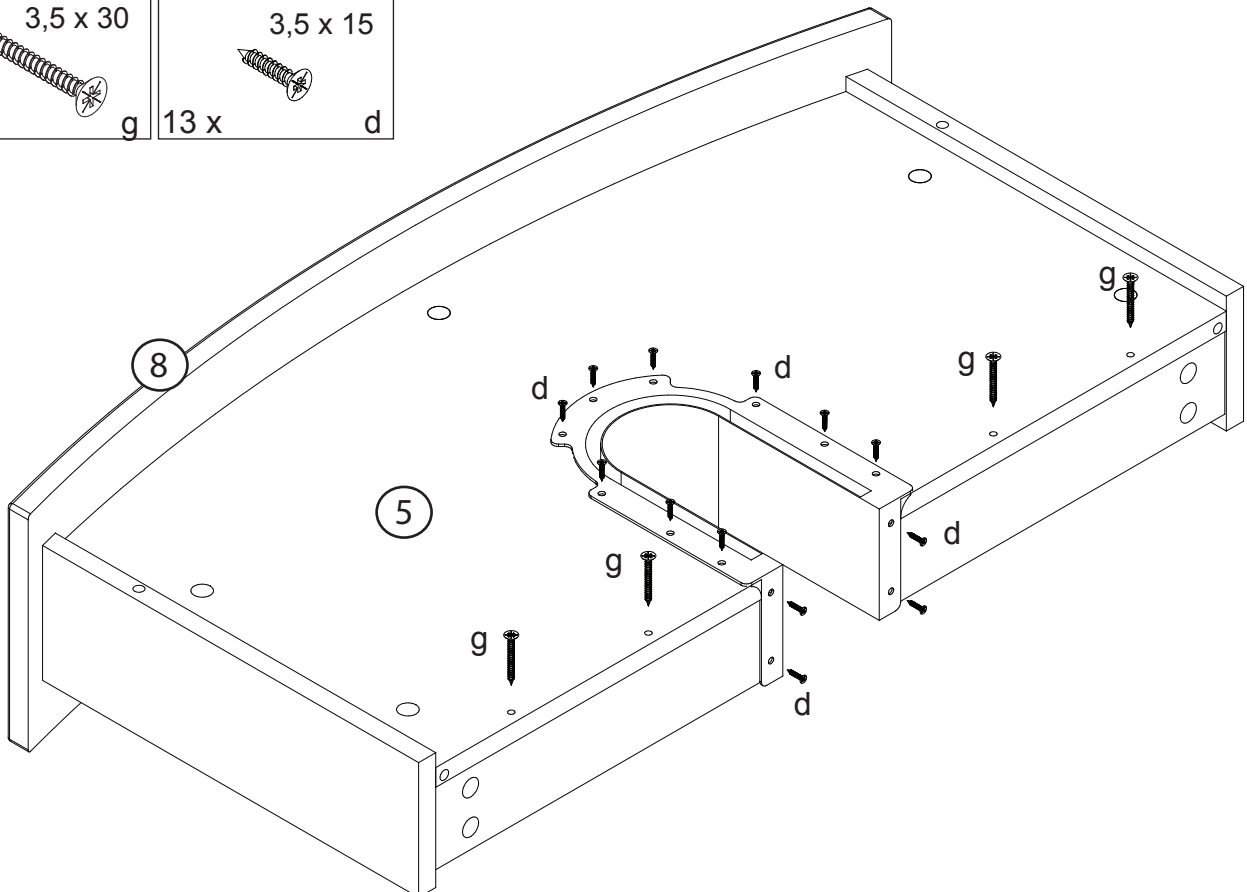
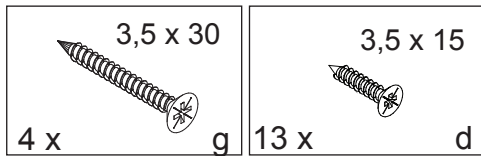
9



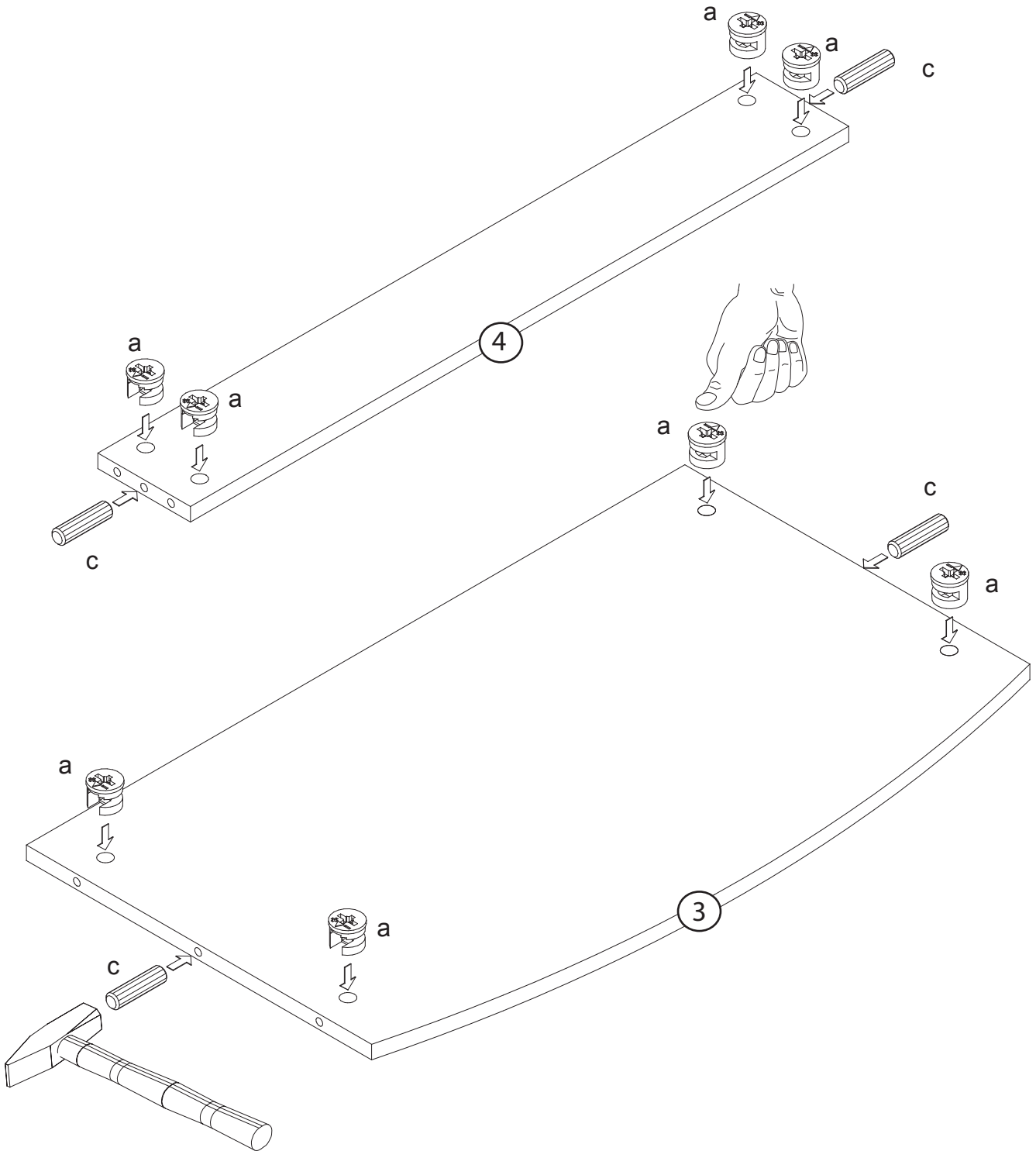
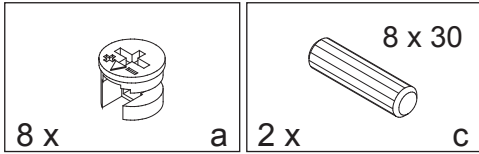
# 10

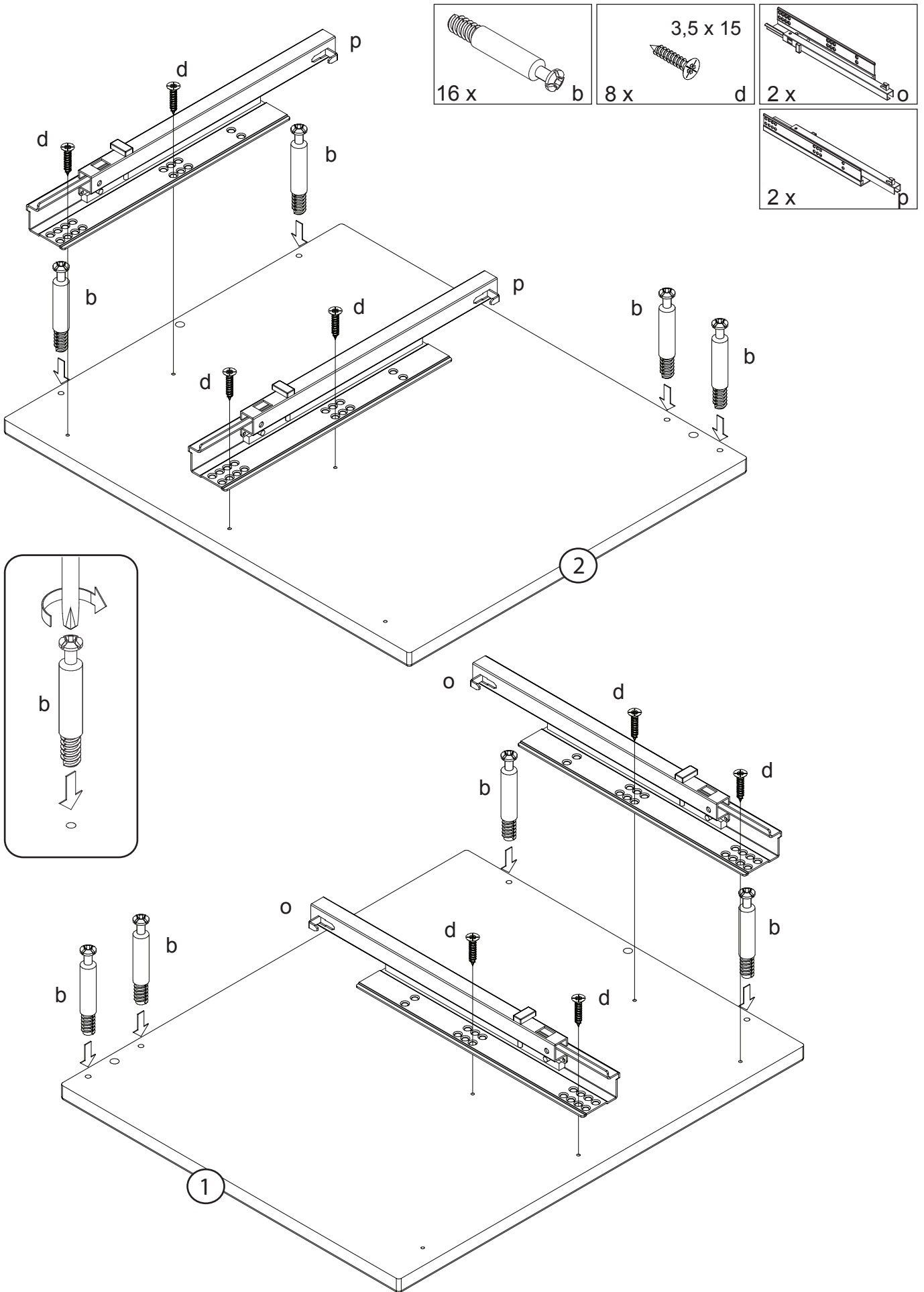


# 11

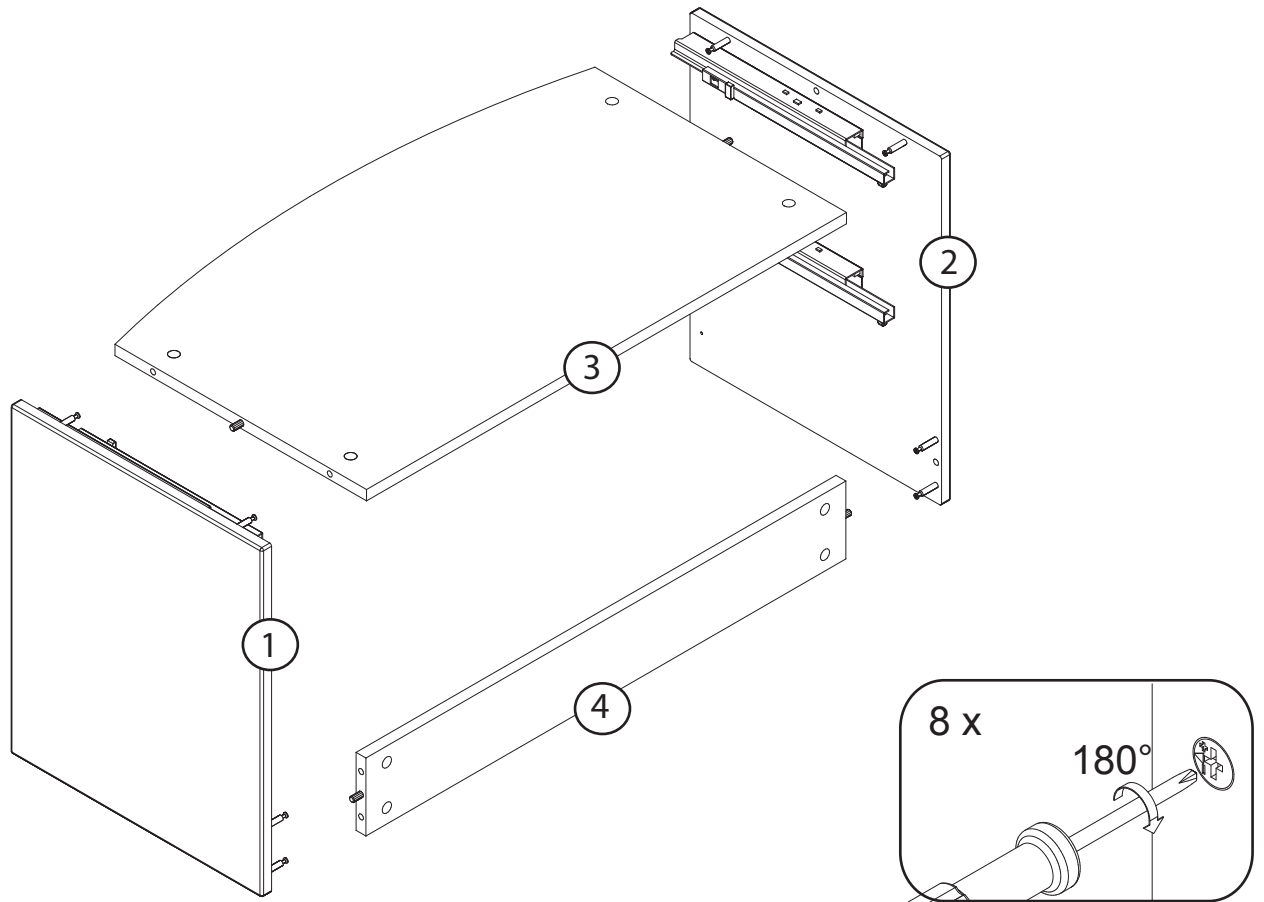








# 14



# 15

