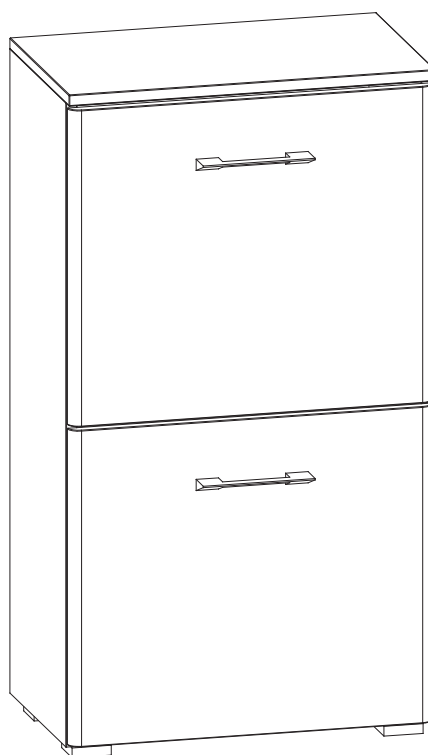
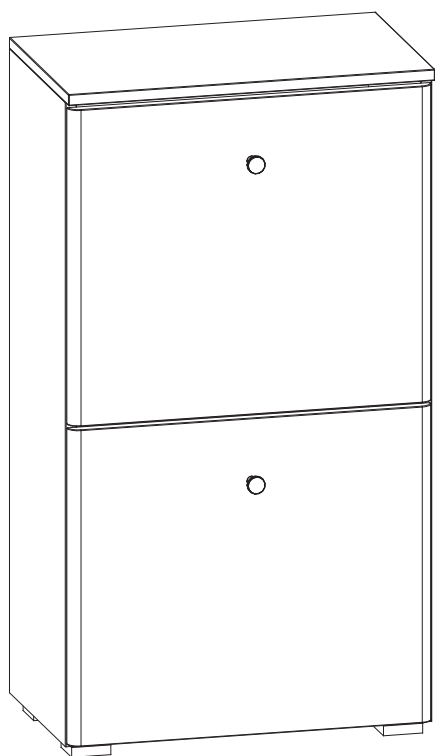
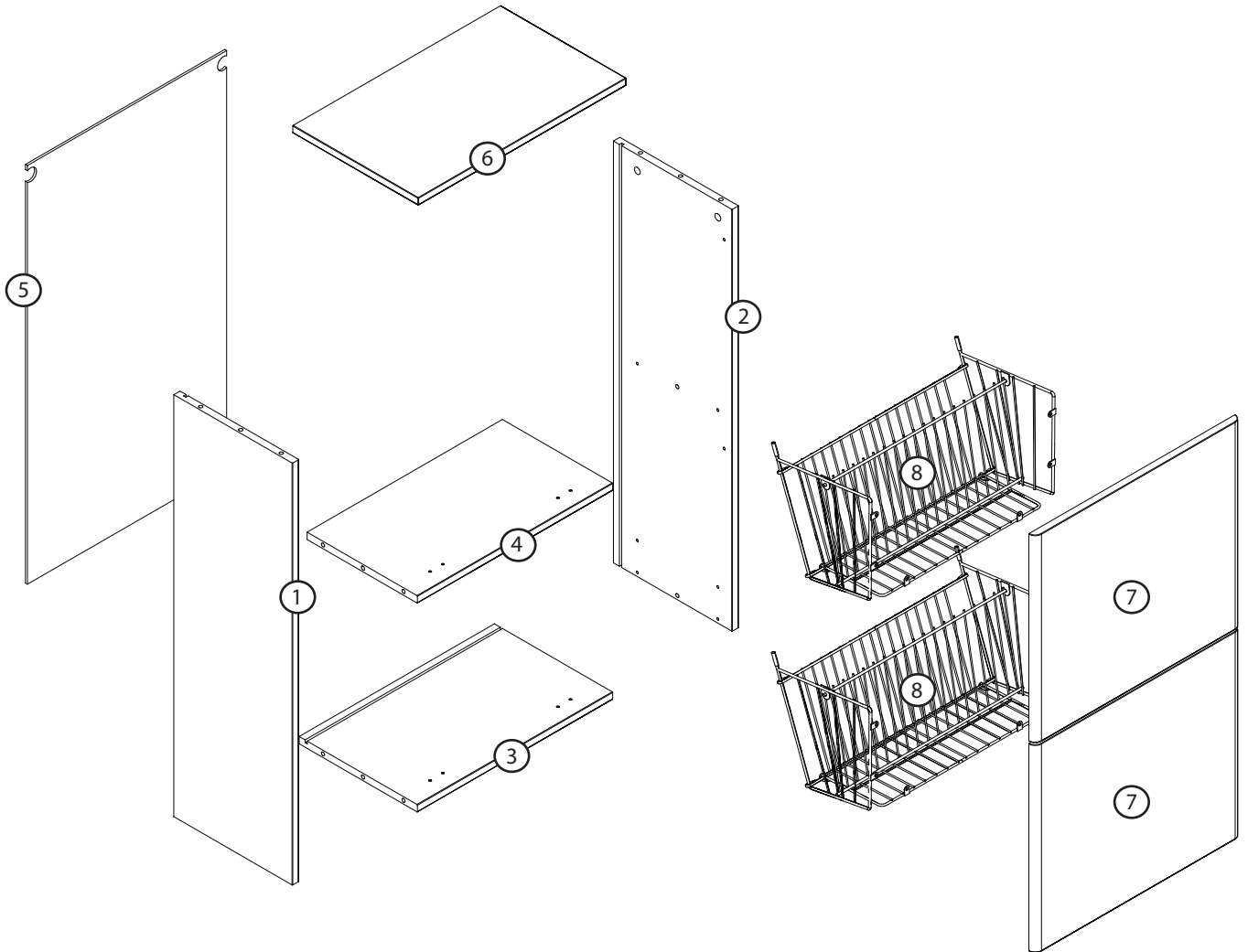
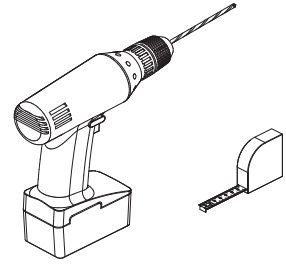
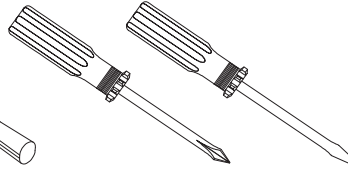
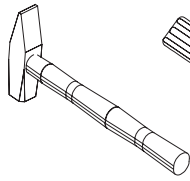
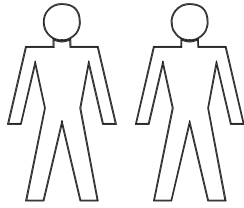


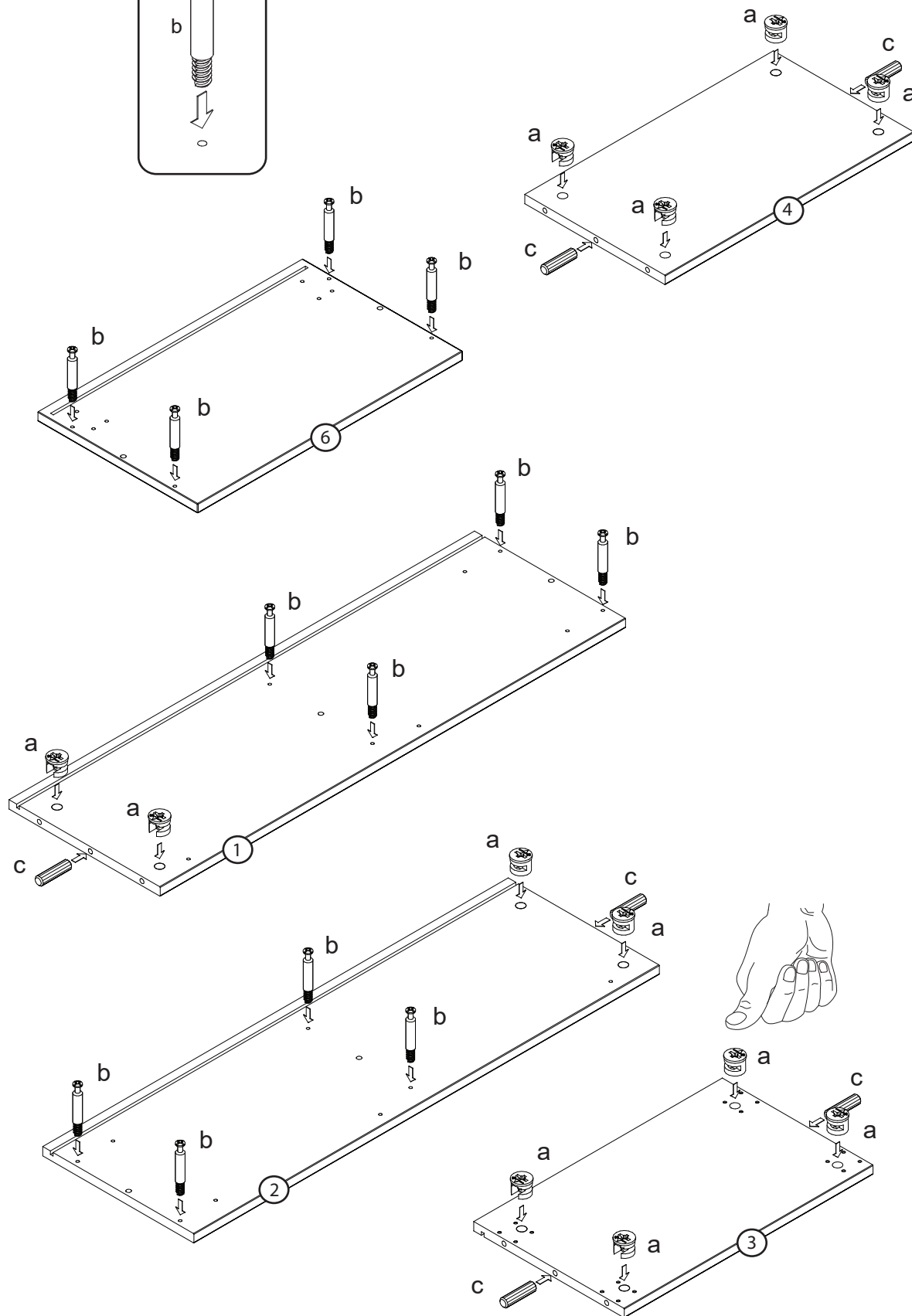
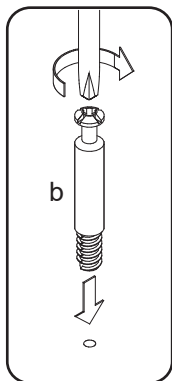
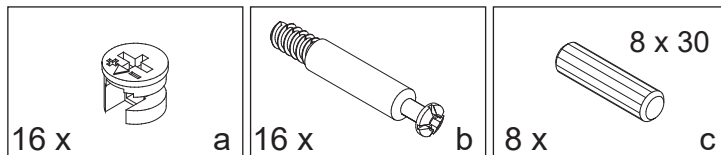
G 202



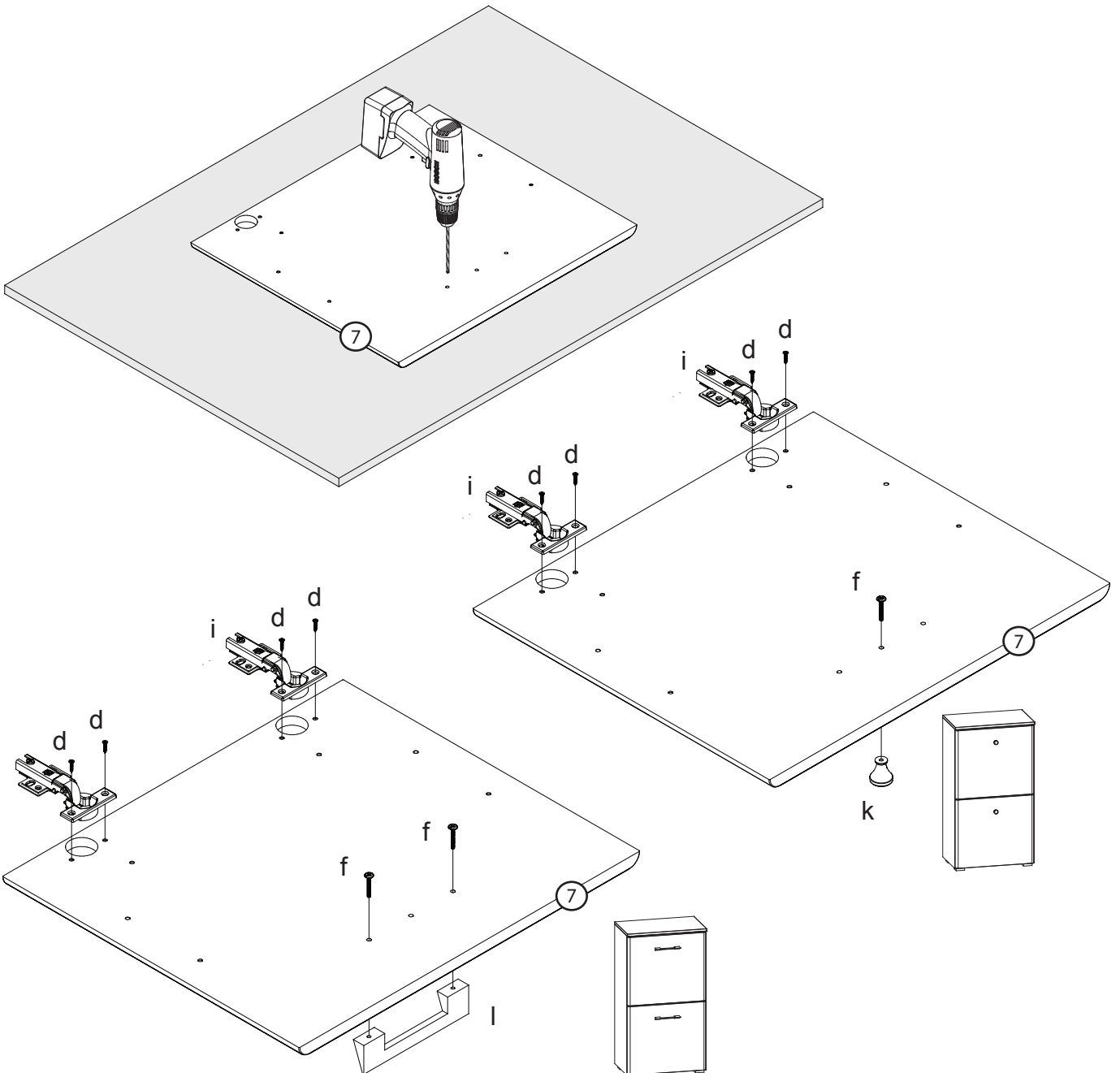
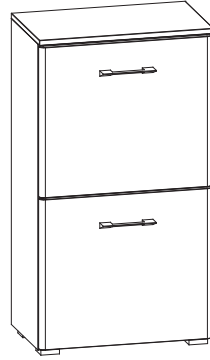
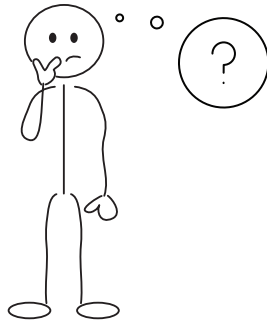
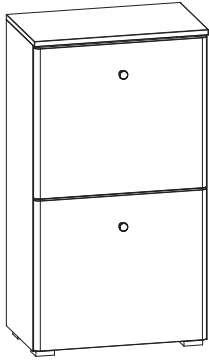
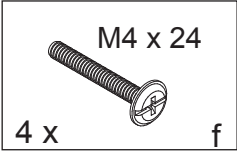
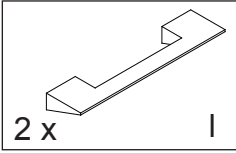
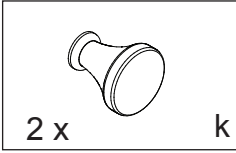
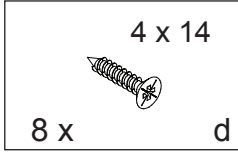
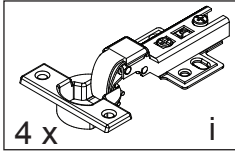




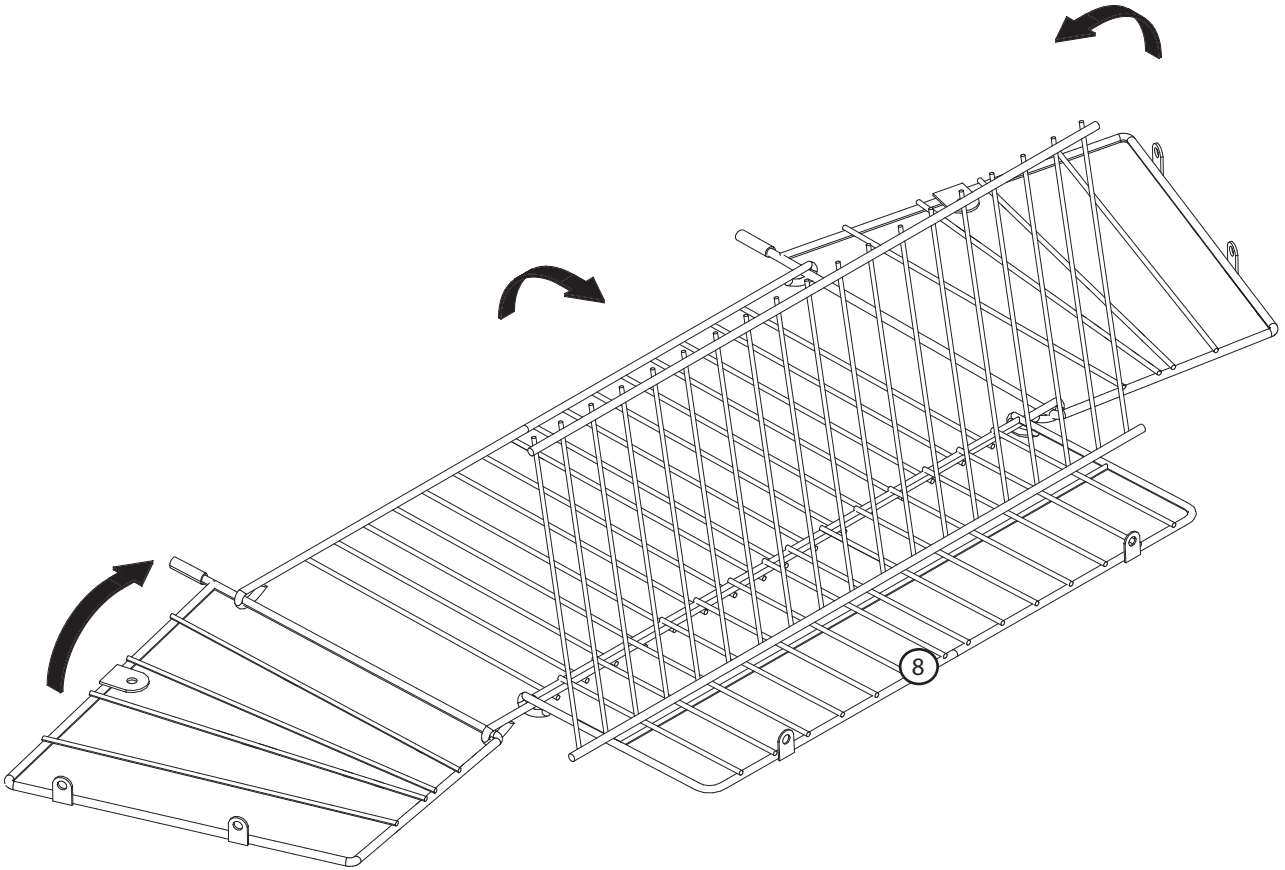
 4 x n	 2 x o	 2 x s	 2 x t	 12 x a	
 12 x b	 6 x c	 28 x d	 2 x e	 4 x f	 20 x g
 4 x h	 4 x i	 4 x j	 2 x k	 2 x l	 4 x m



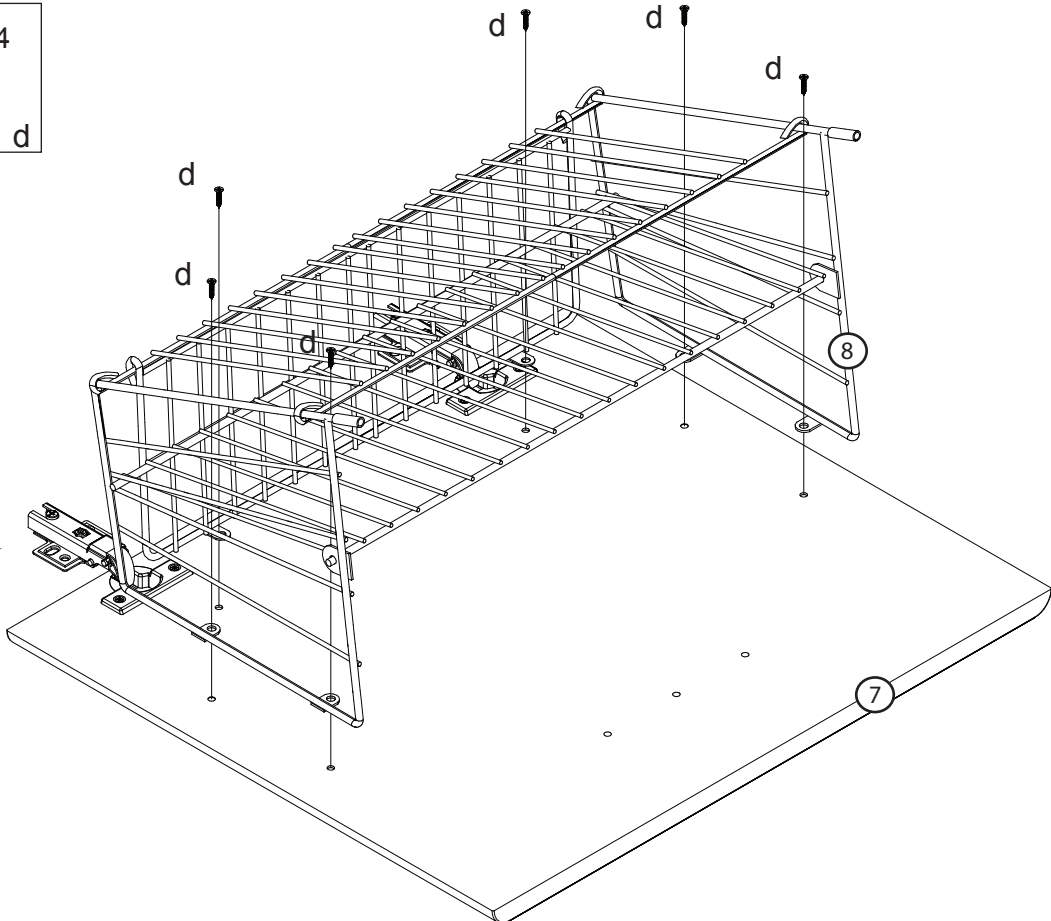
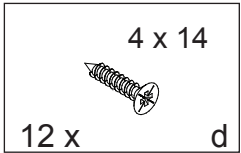
# 2 2x



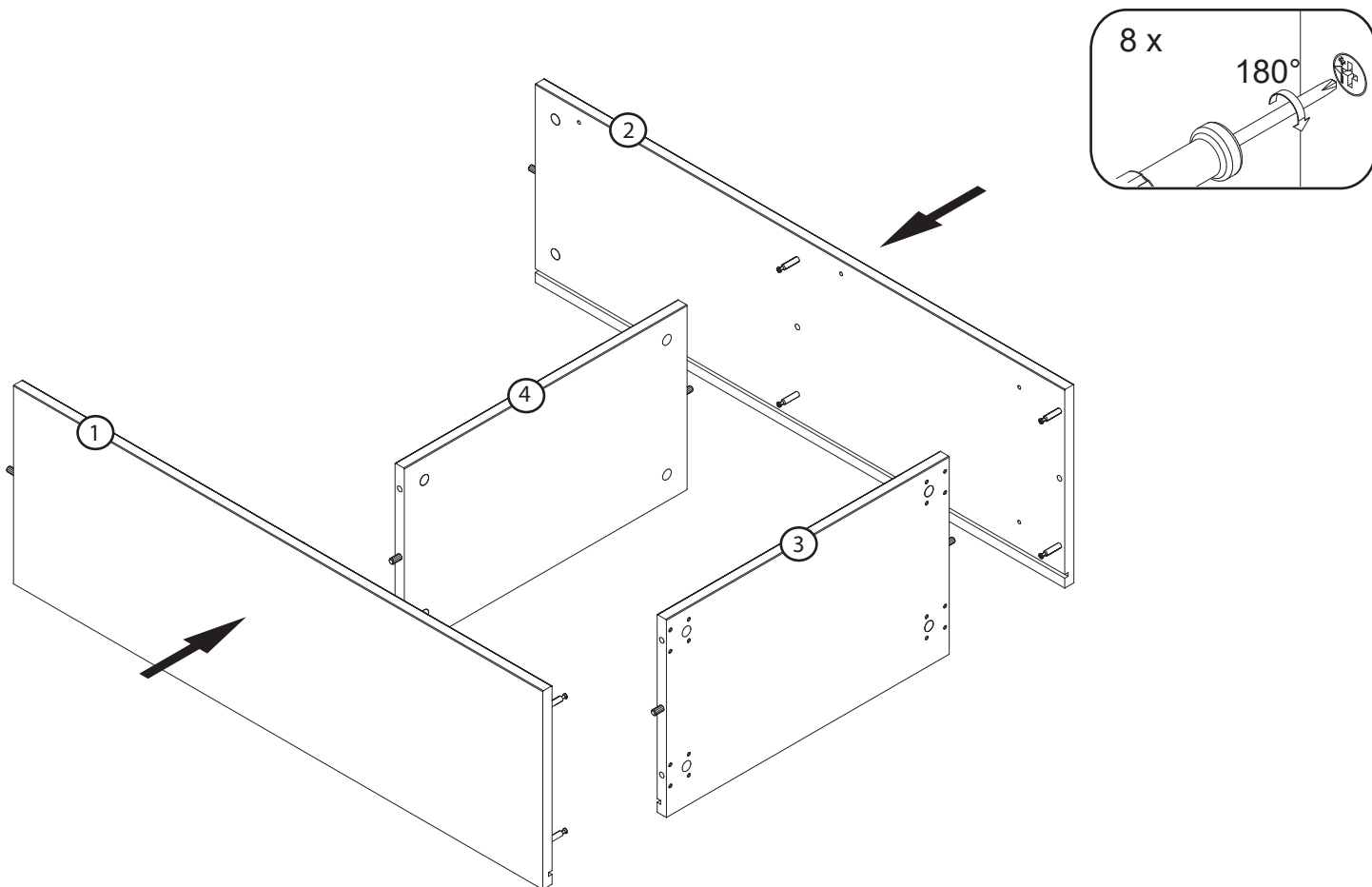
3 2 x



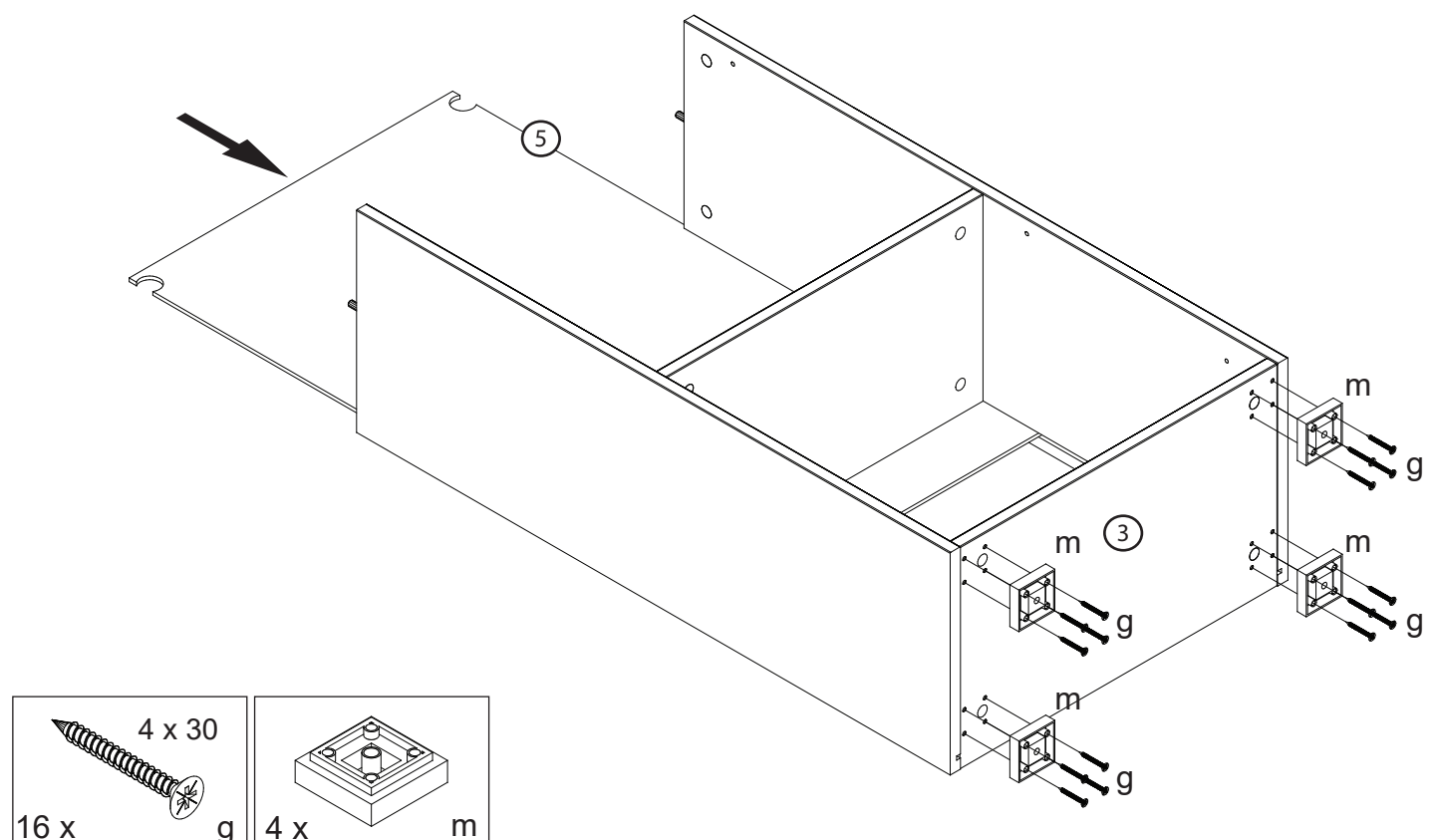
4 2 x

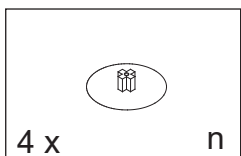
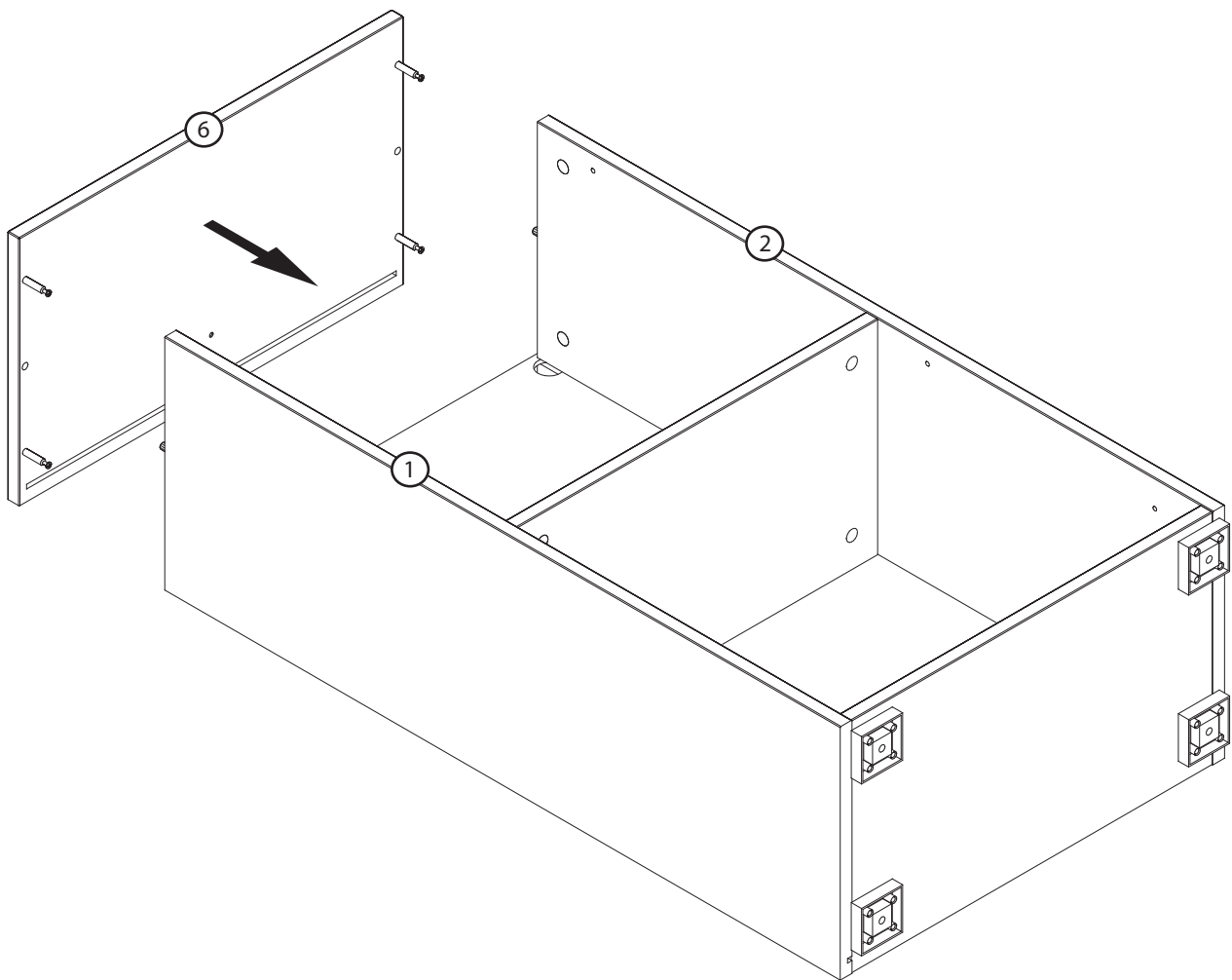
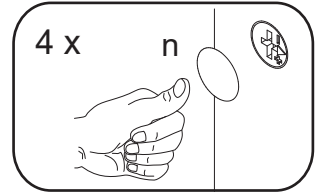
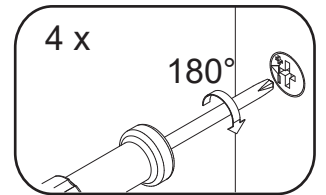


5



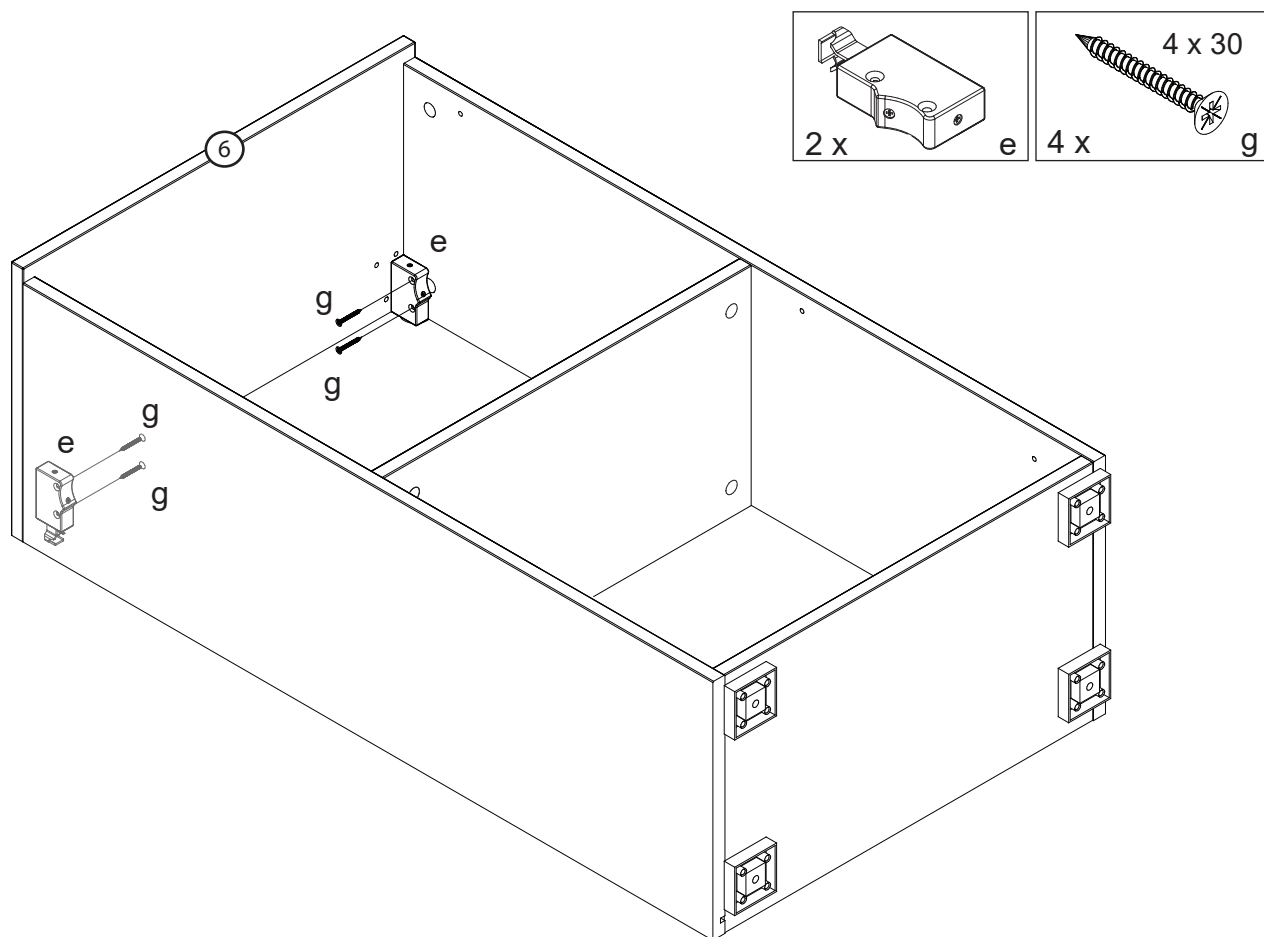
6



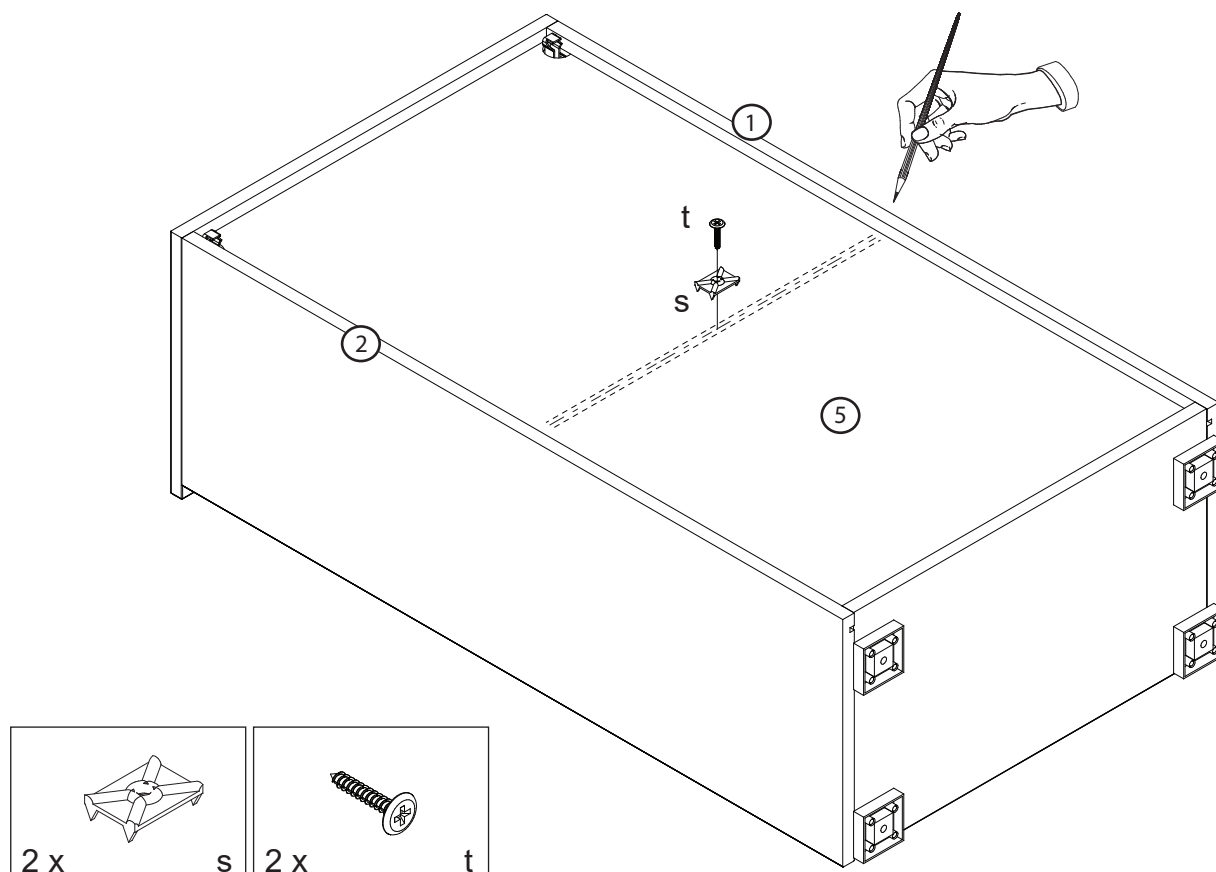


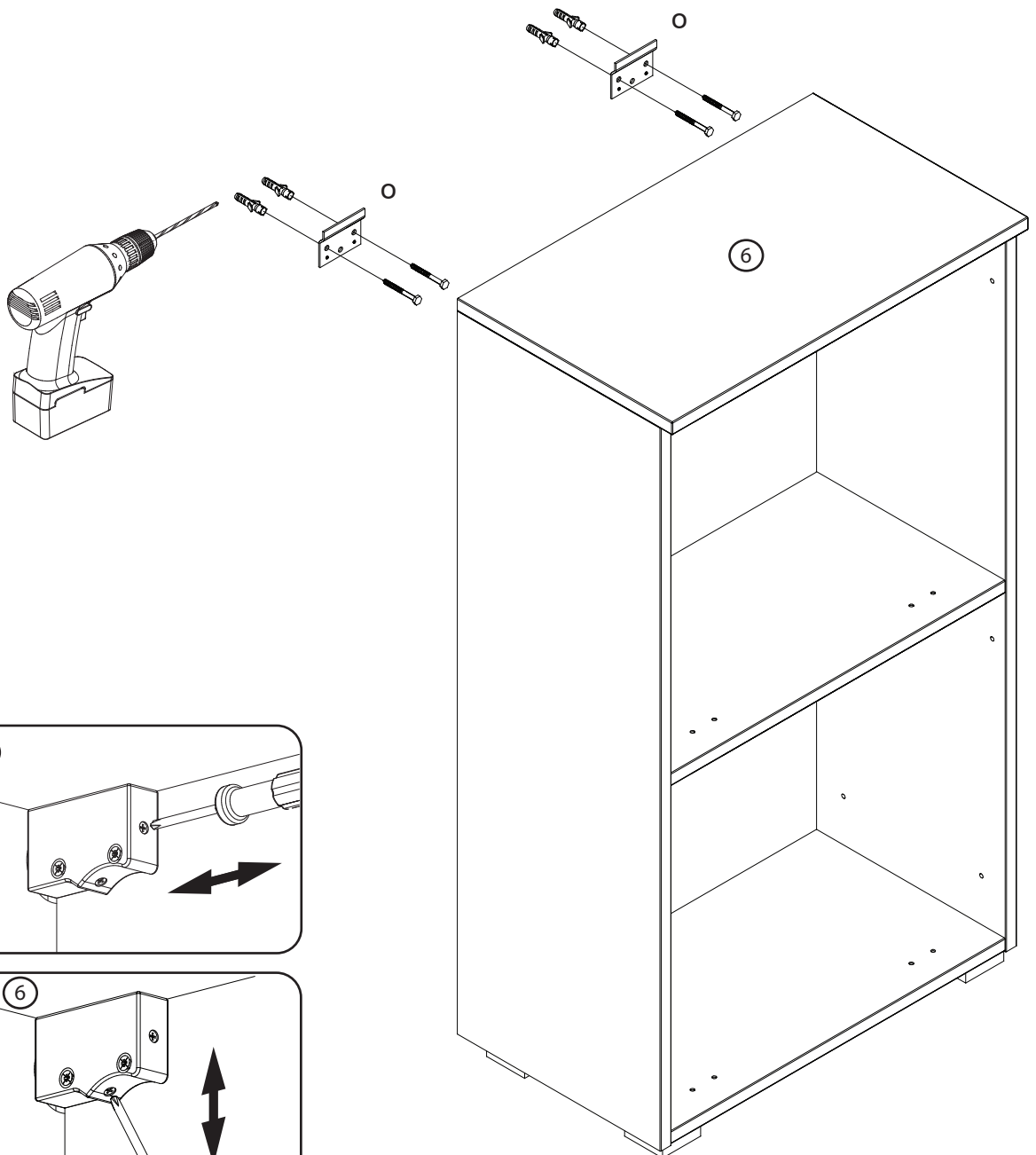
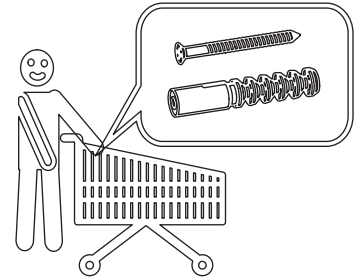
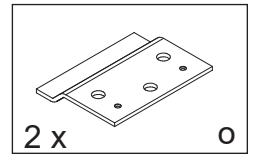
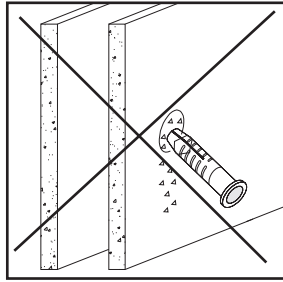
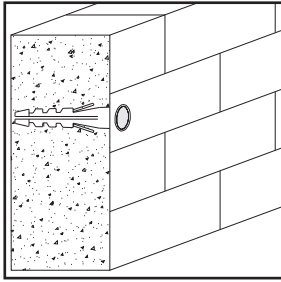


8

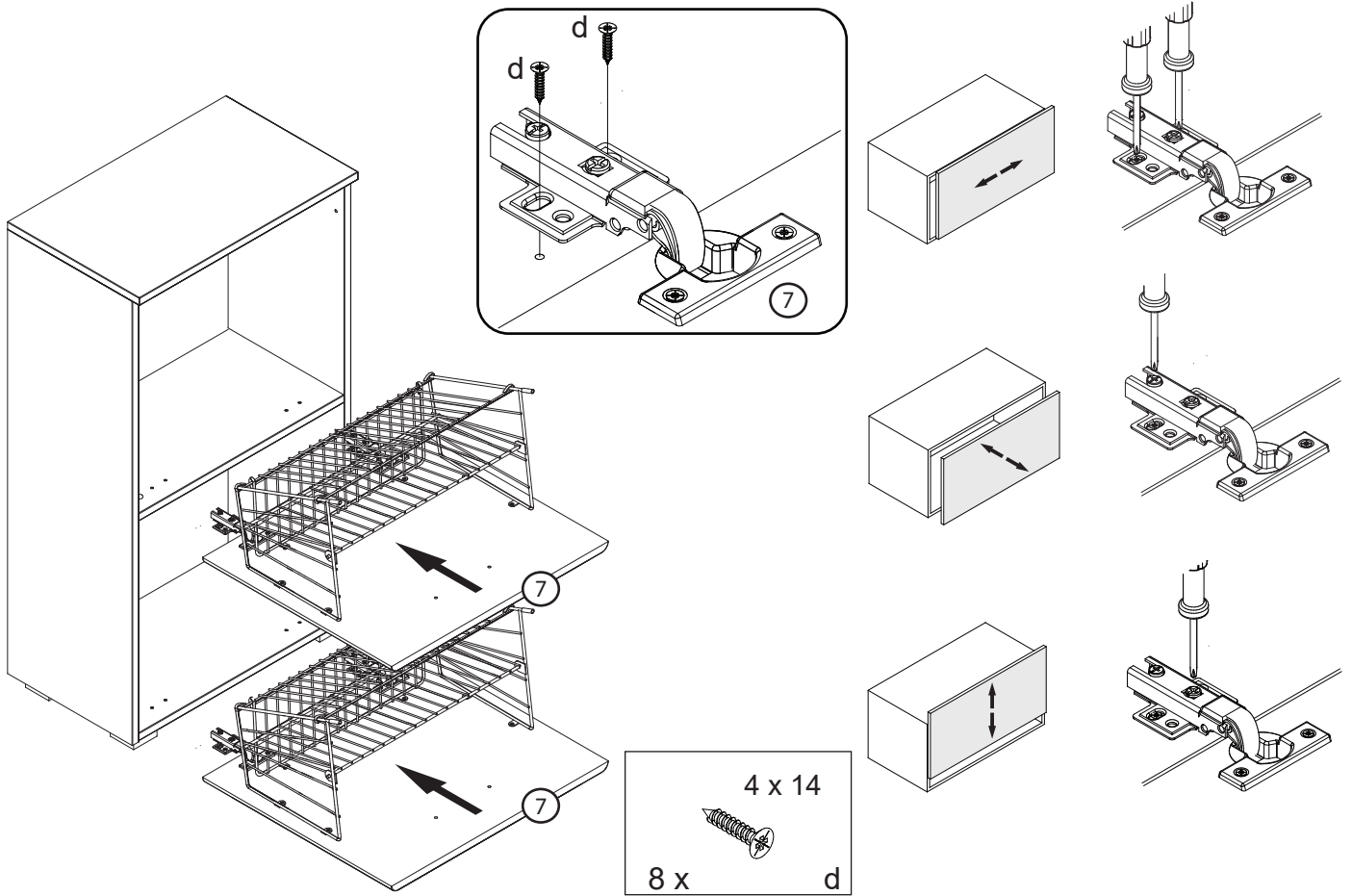


9





# 11



# 12

