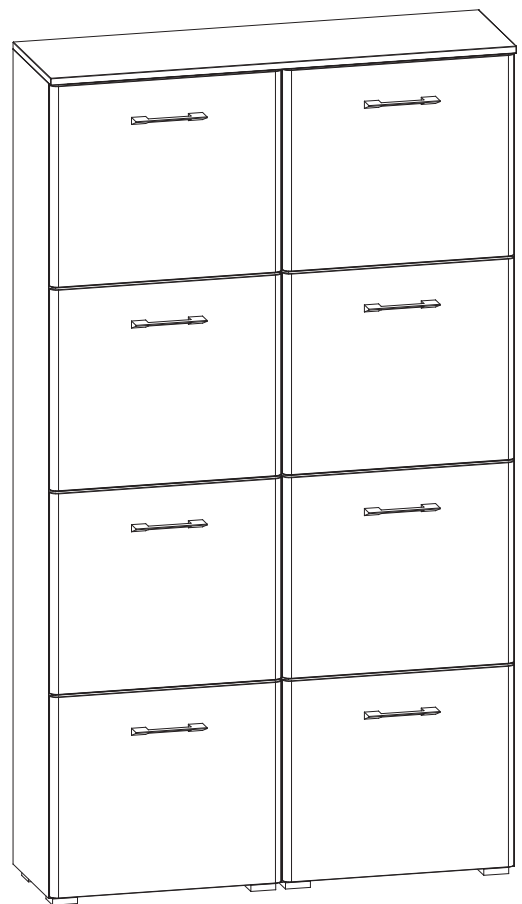
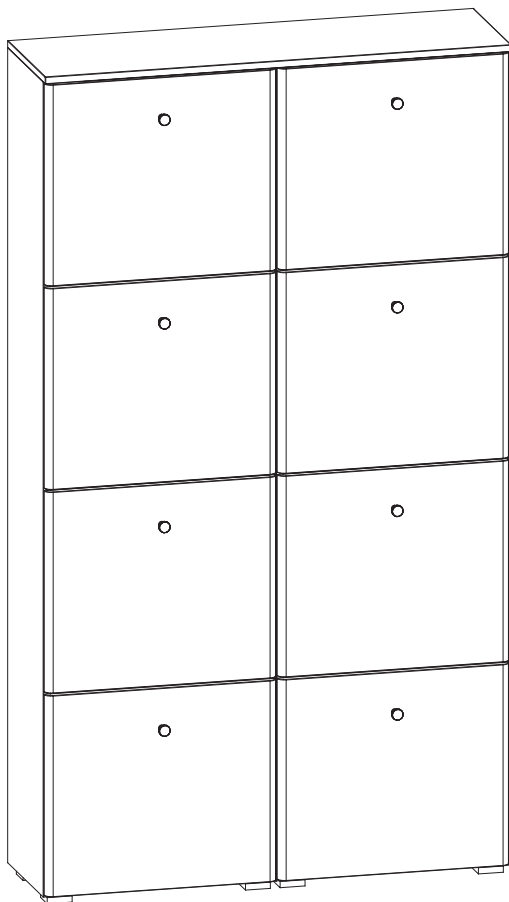
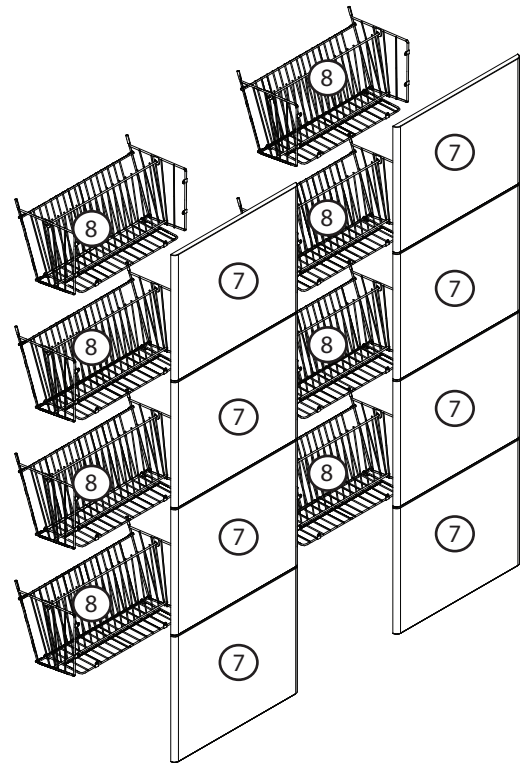
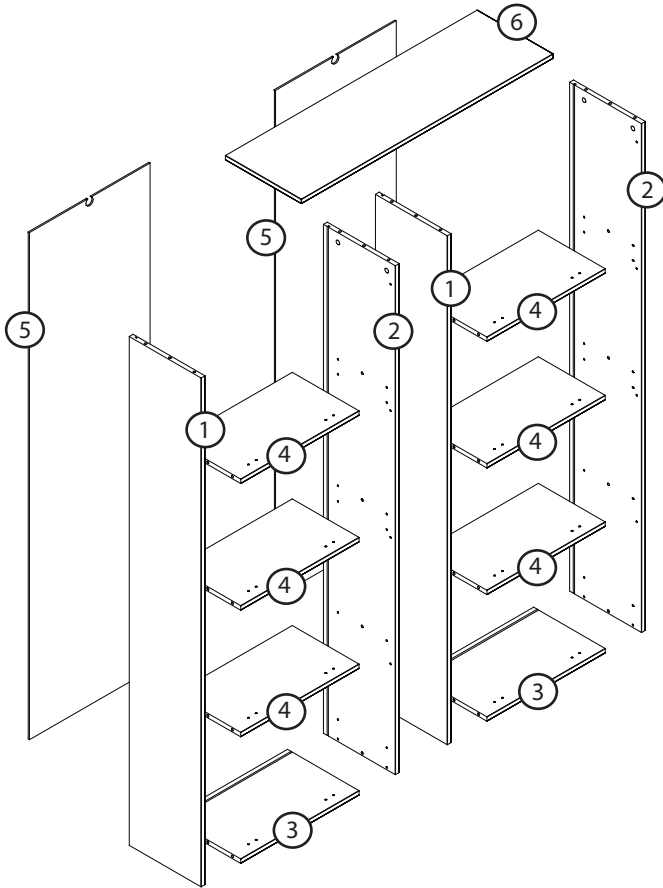
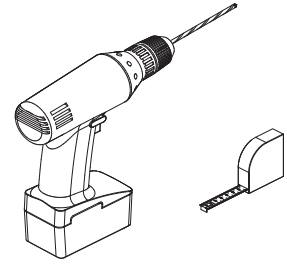
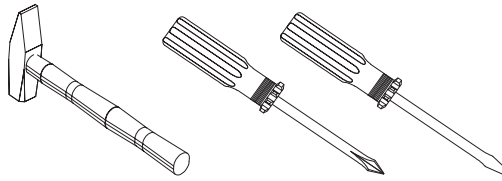
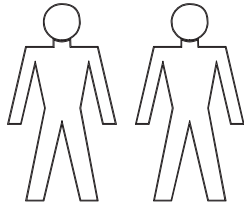
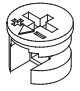

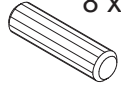

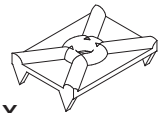
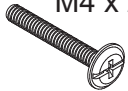
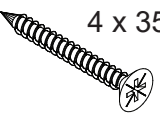
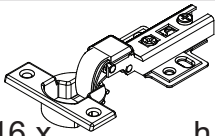
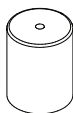

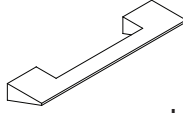
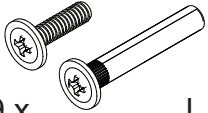

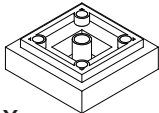
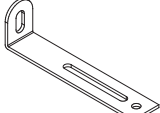
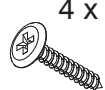
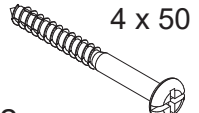
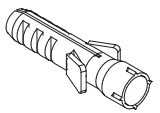
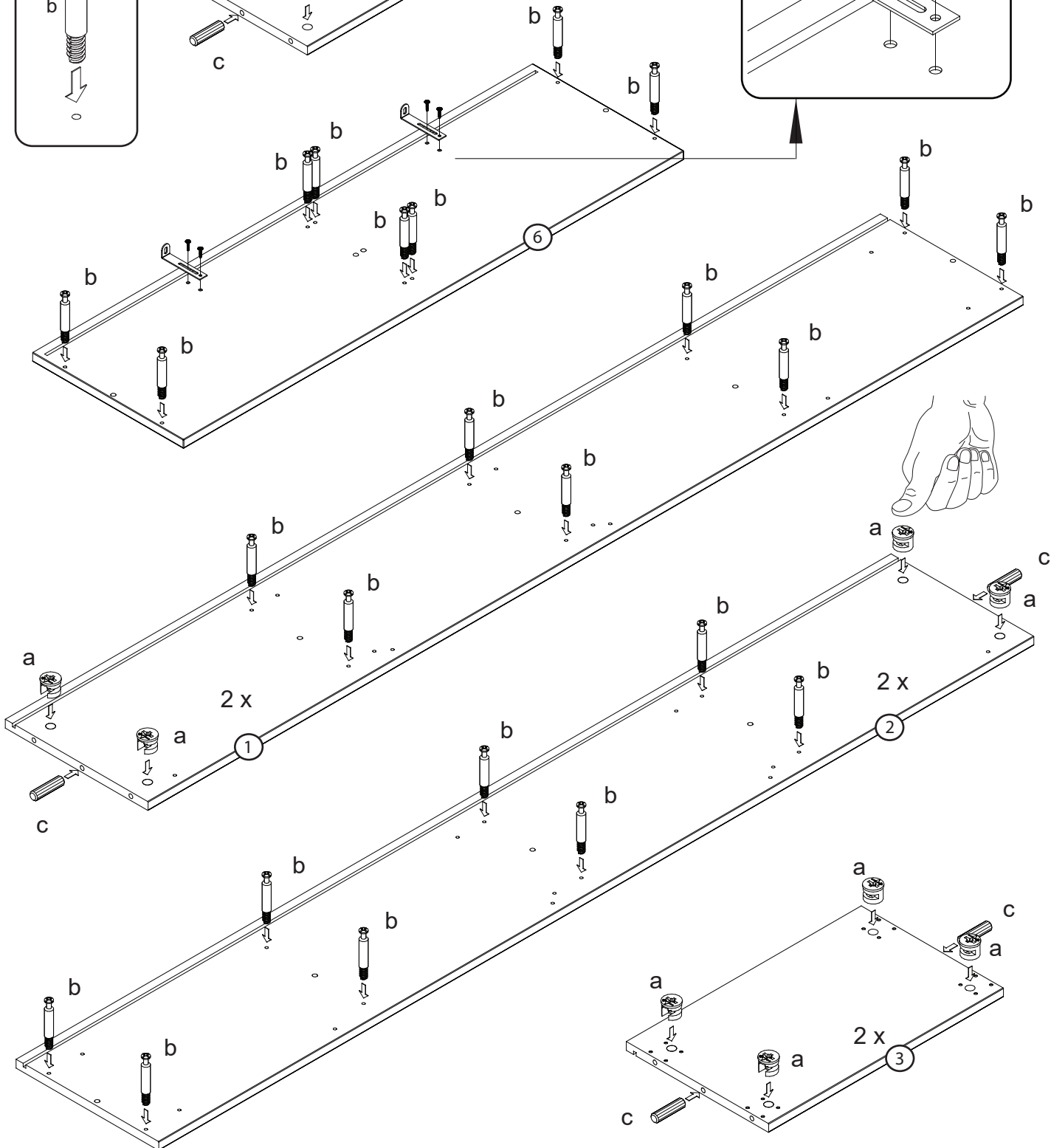
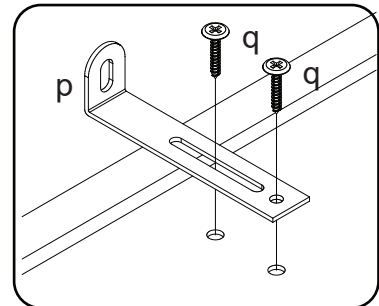
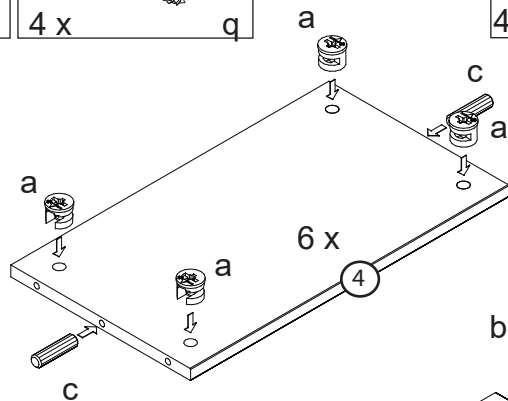
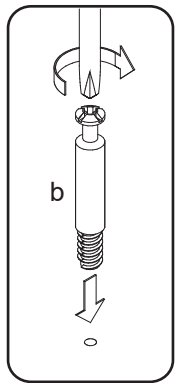
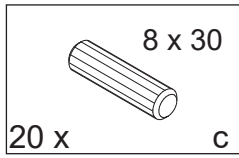
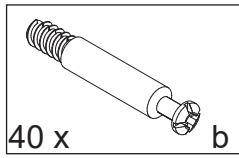
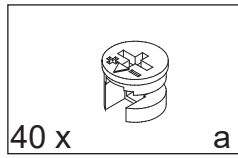
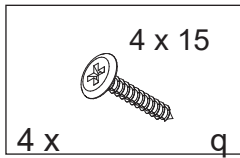
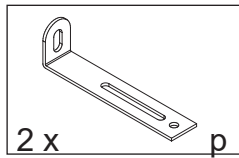


G 224

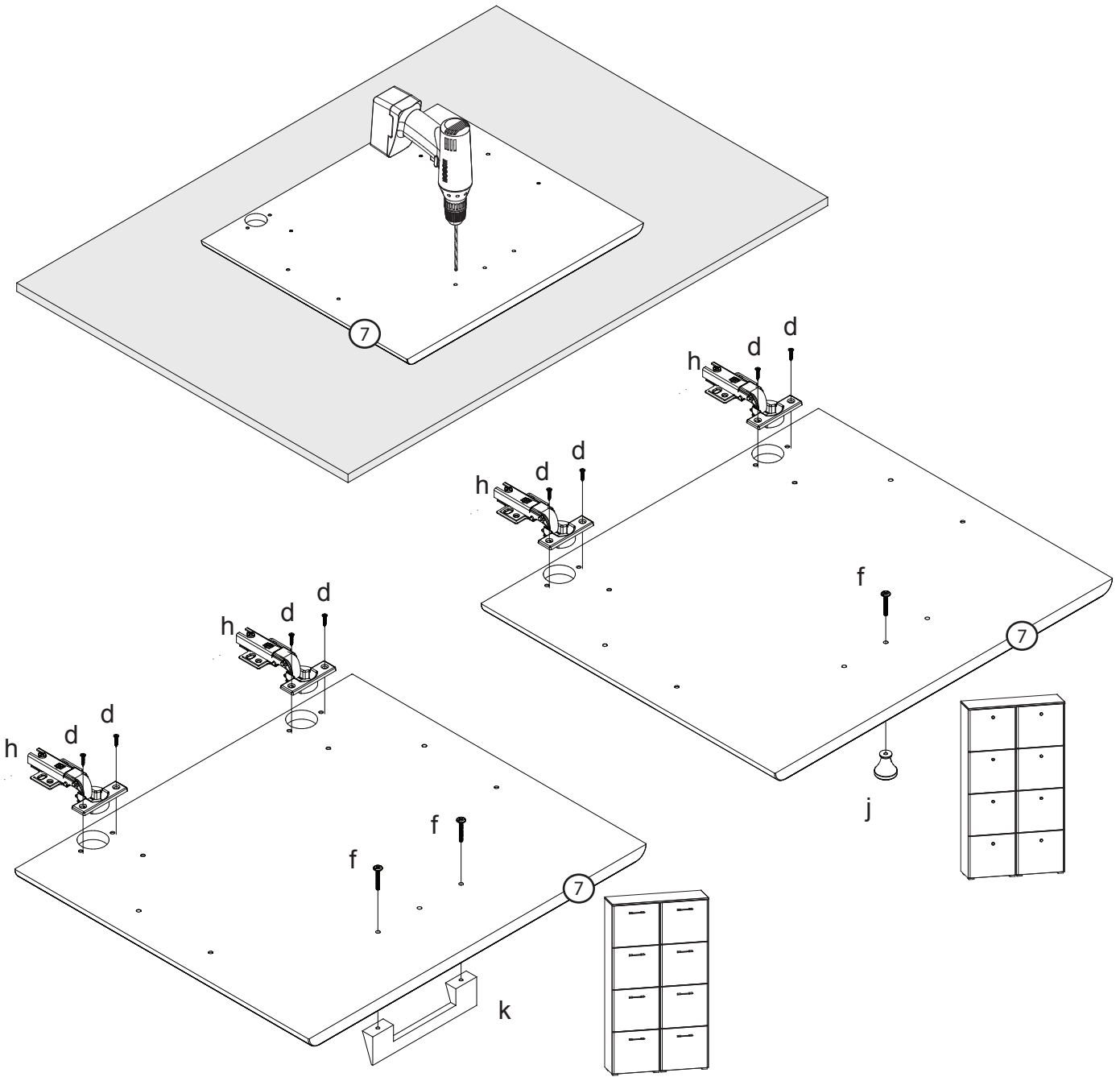
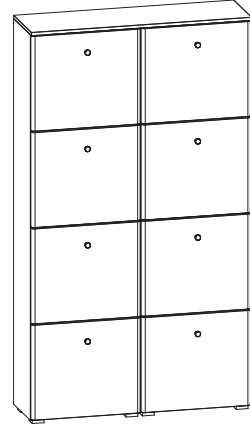
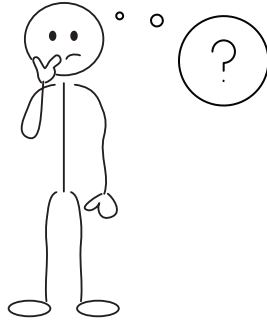
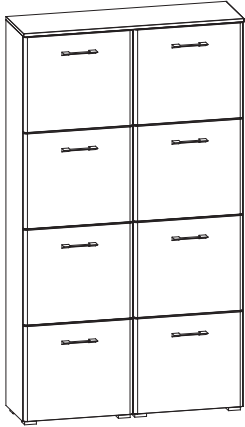
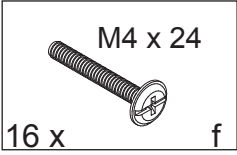
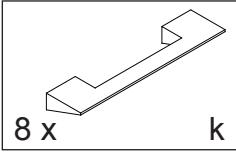
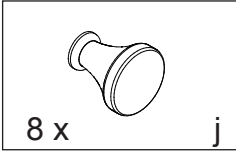
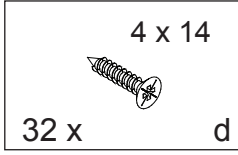
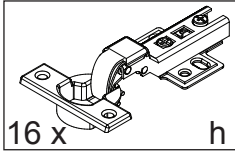




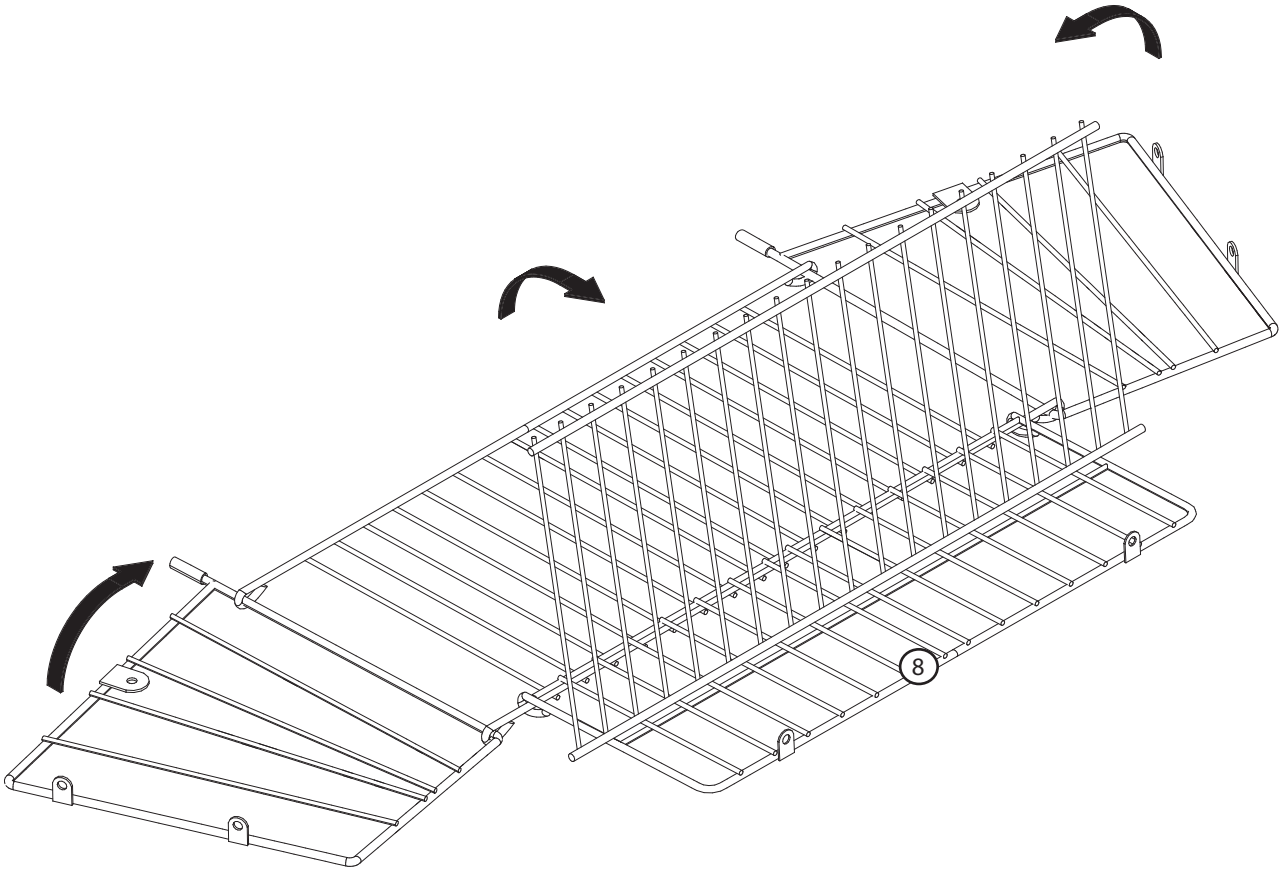
| | | | | | |
|---|---|---|--|--|--|
|  40 x a |  40 x b |  8 x 30 20 x c |  4 x 14 112 x d |  6 x e |  M4 x 24 16 x f |
|  4 x 35 48 x g |  16 x h |  16 x i |  8 x j |  8 x k |  9 x l |
|  8 x m |  8 x n |  2 x p |  4 x 15 8 x q |  4 x 50 2 x r |  2 x s |



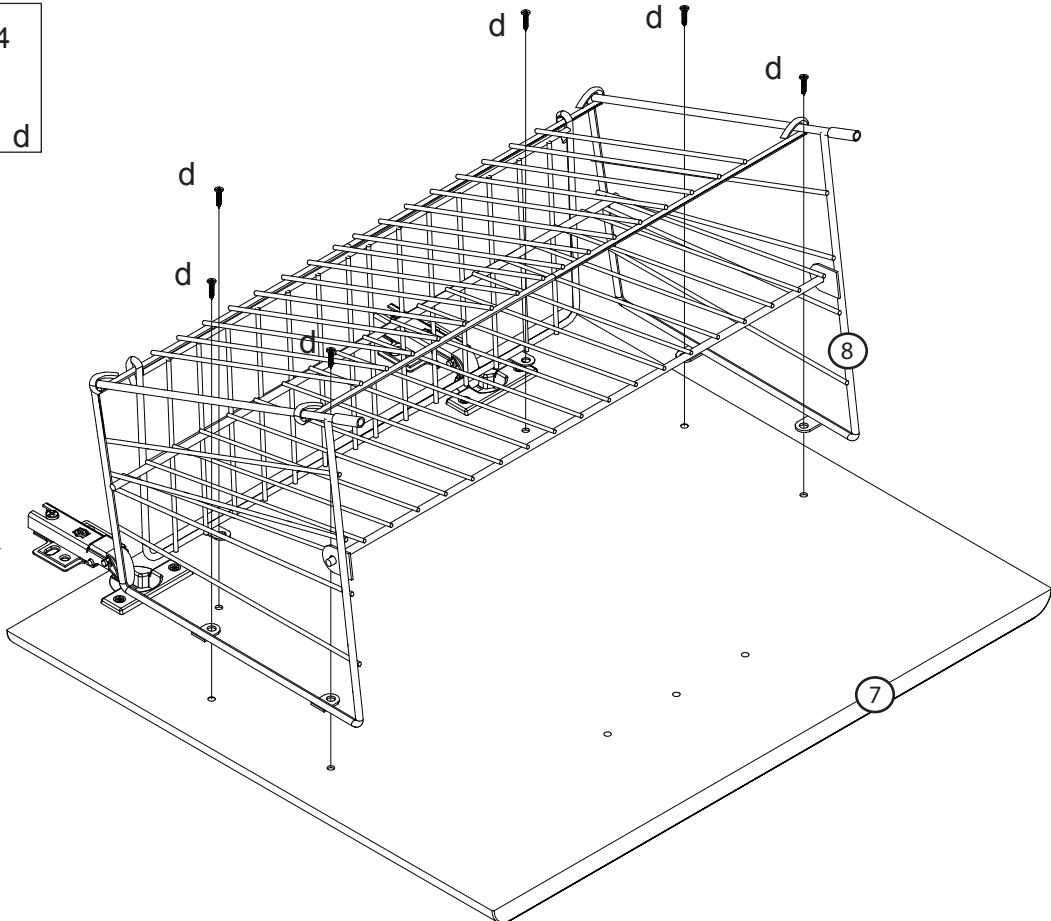
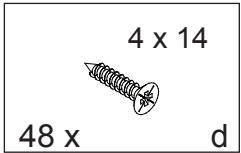
2 8x



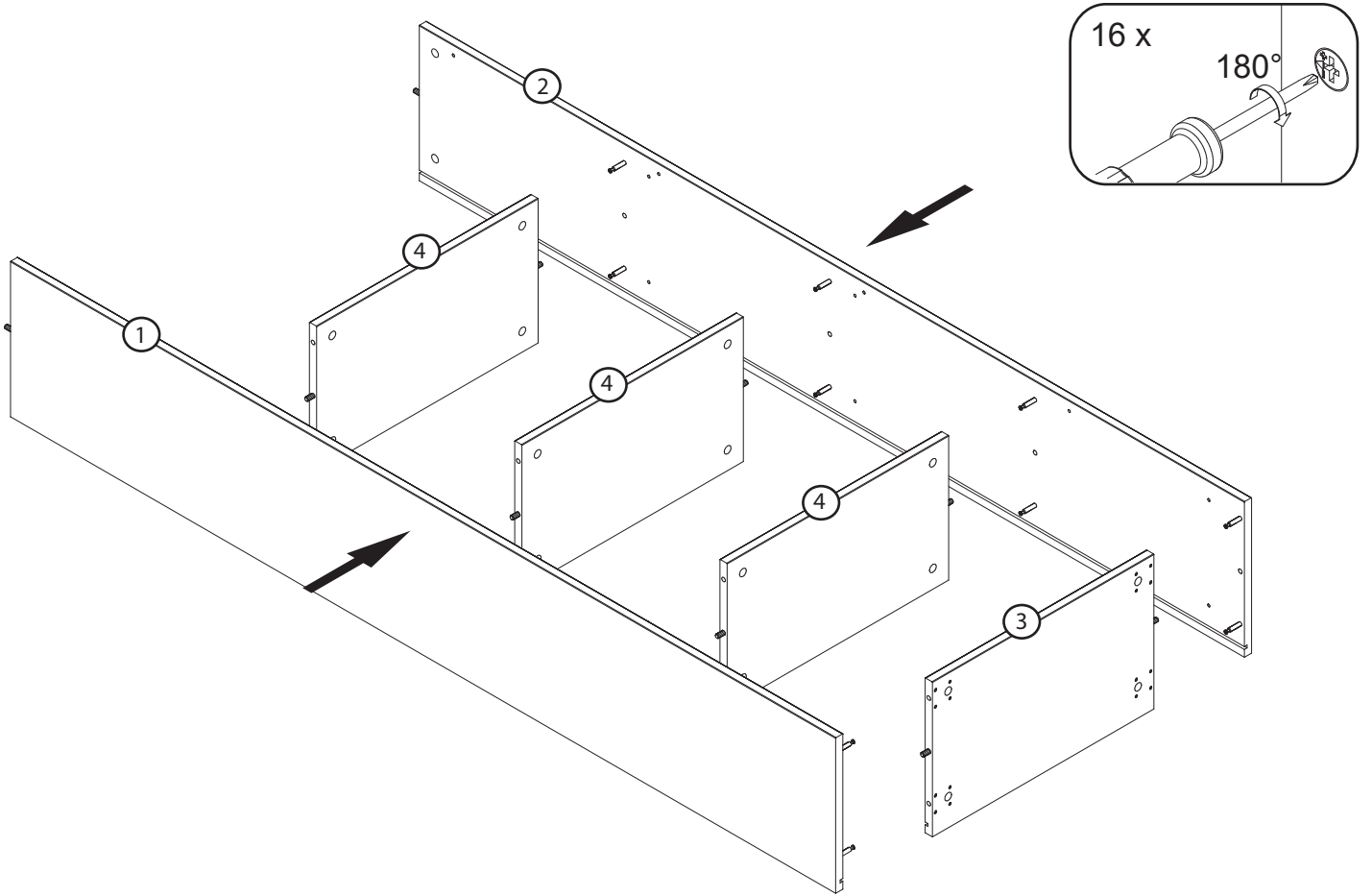
3 8 x



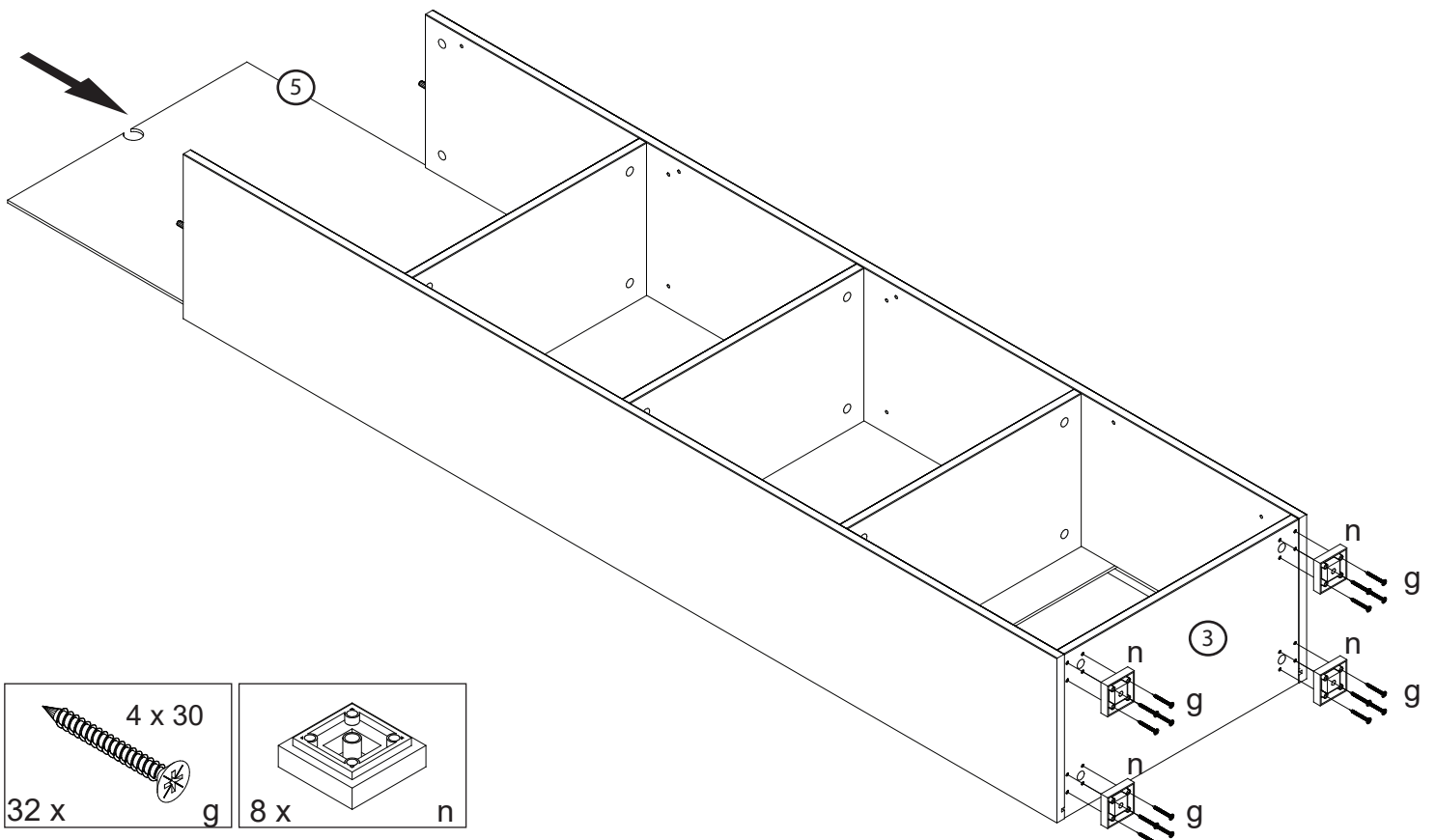
4 8 x



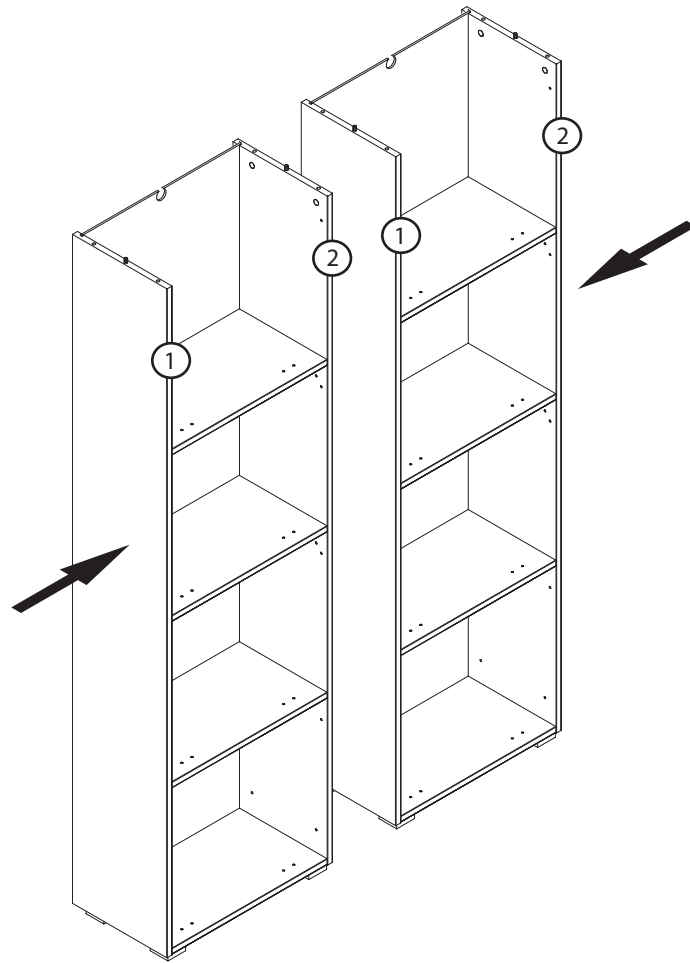
5 2x



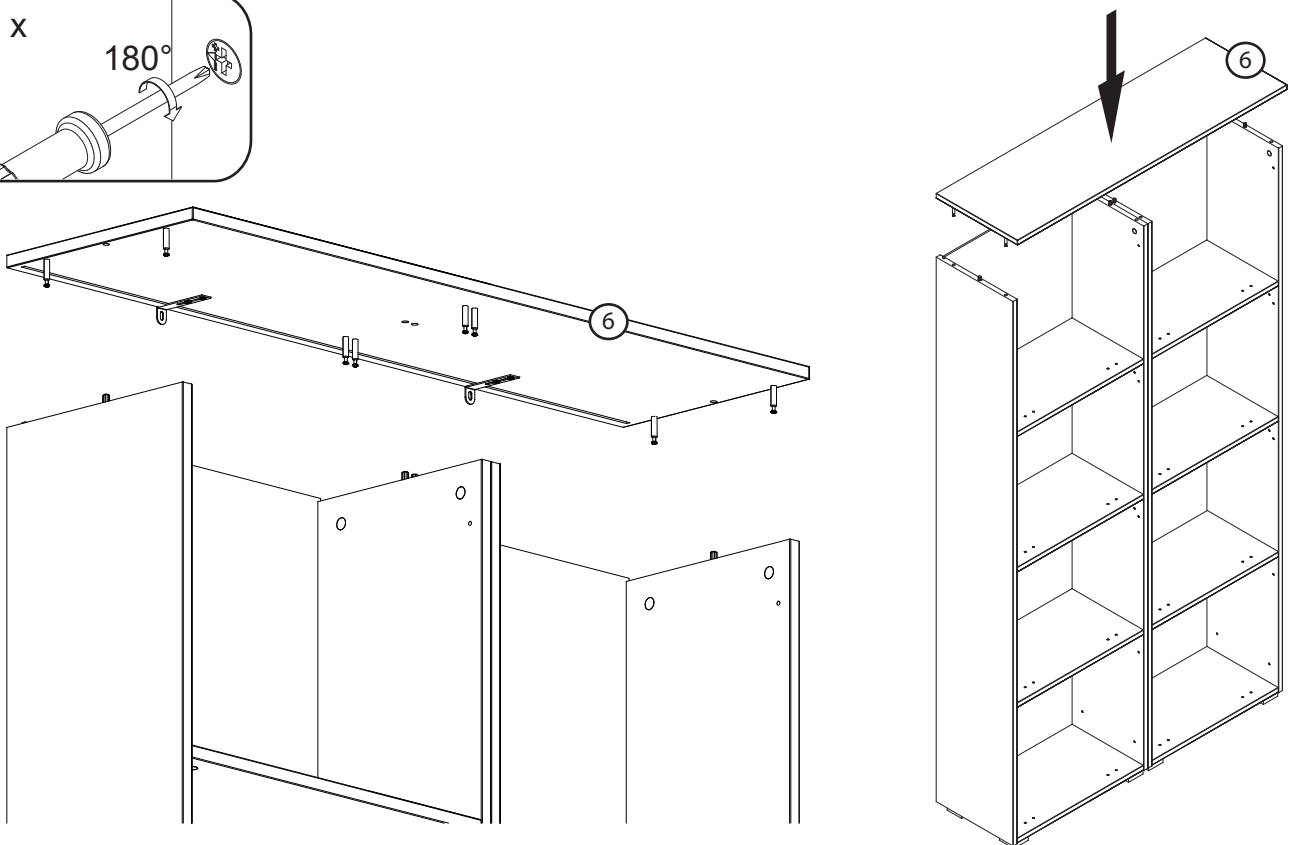
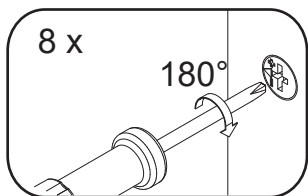
6 2x



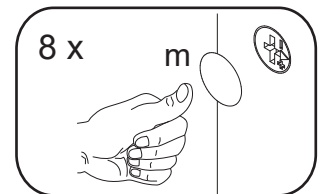
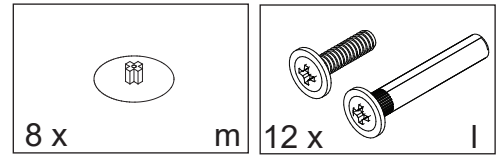
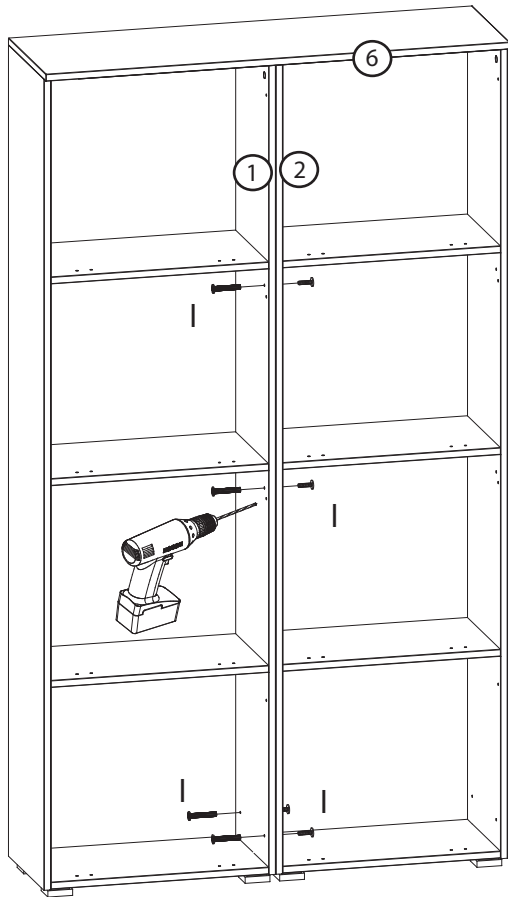
7



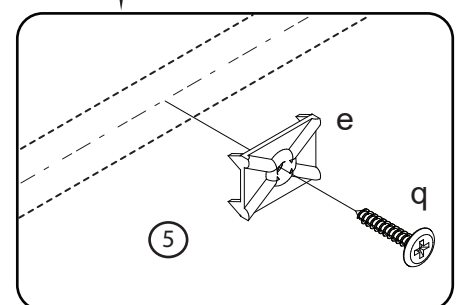
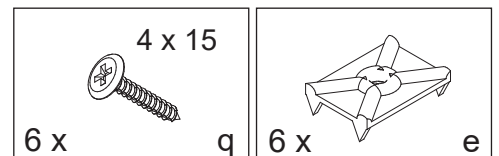
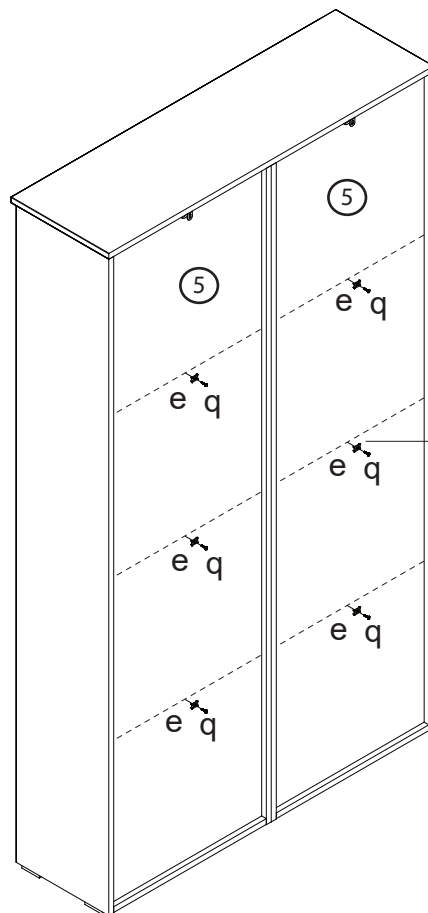
8

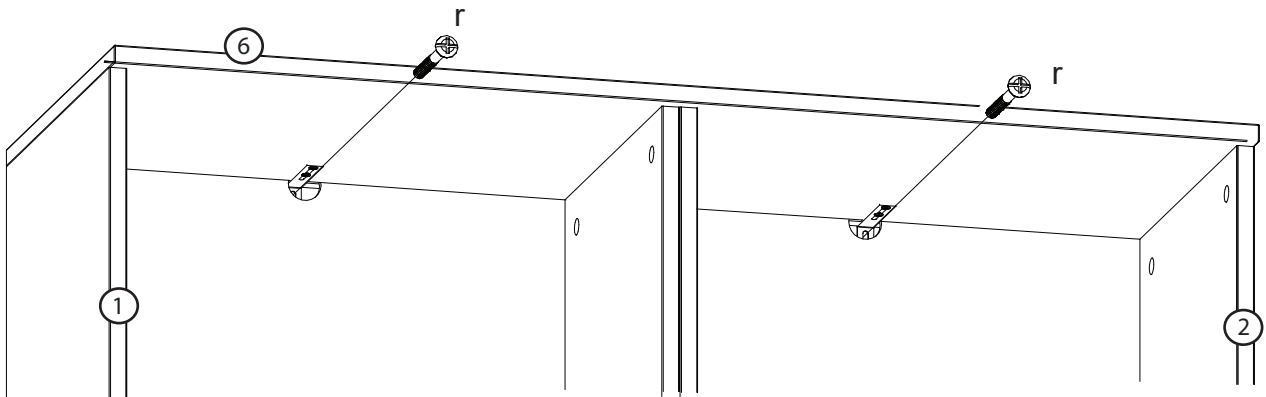
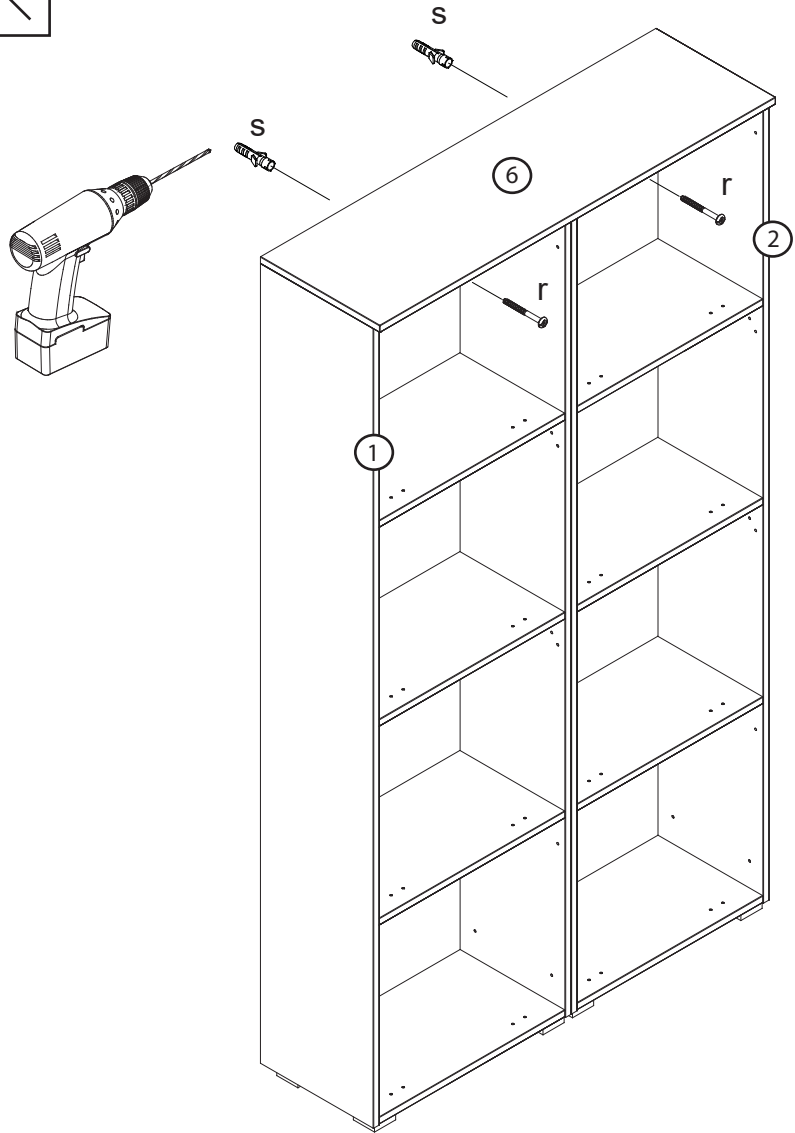
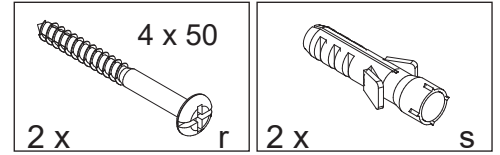
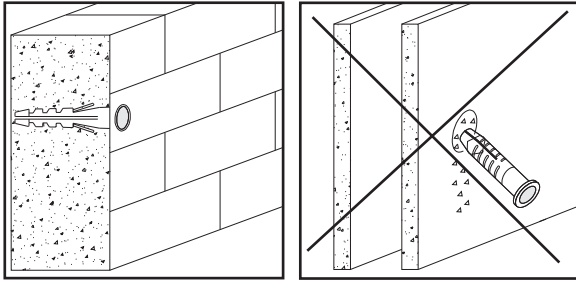


9

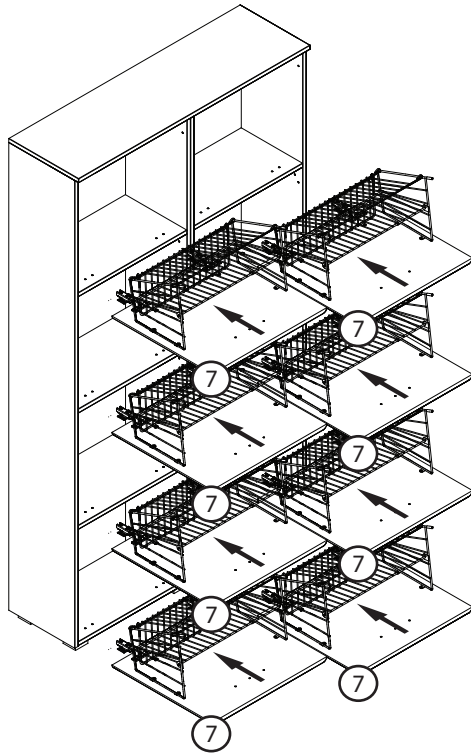
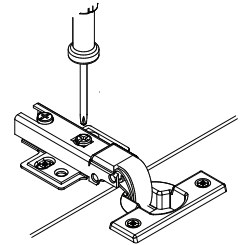
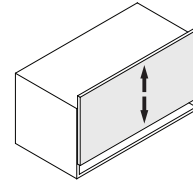
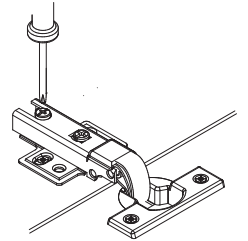
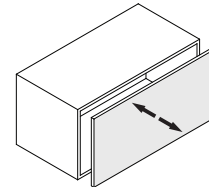
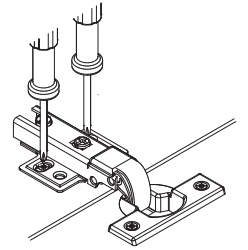
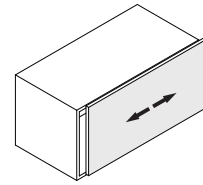
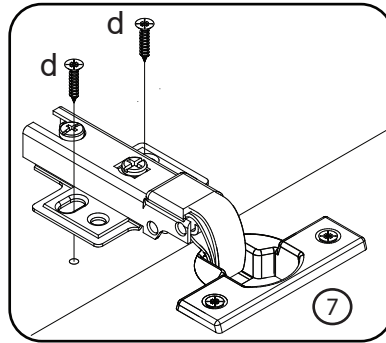
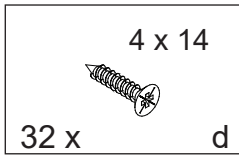


10





12



13

