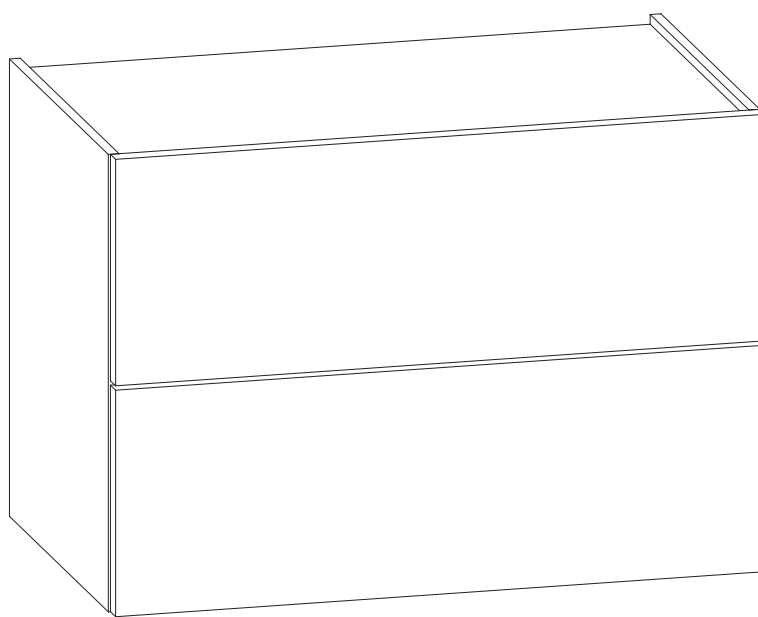
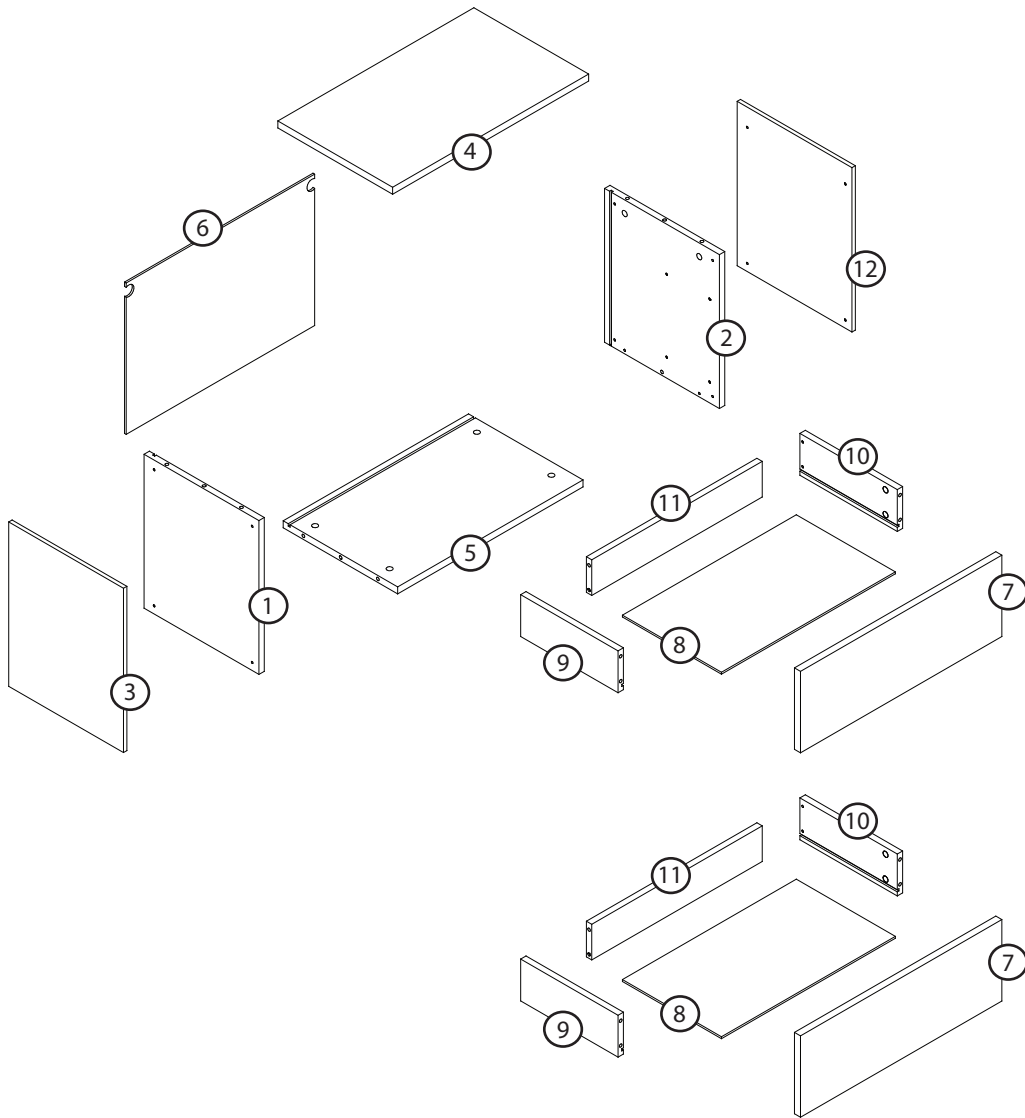
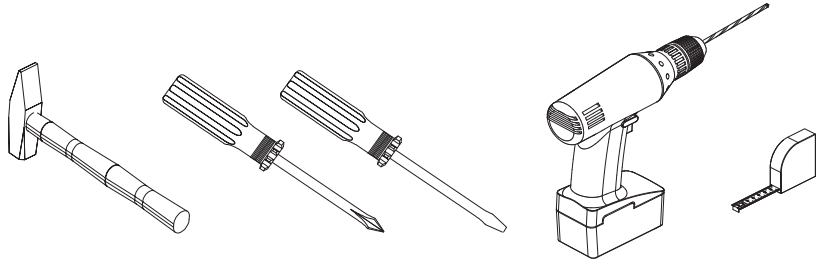
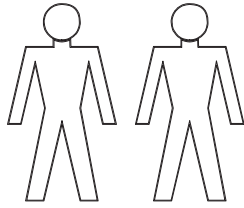


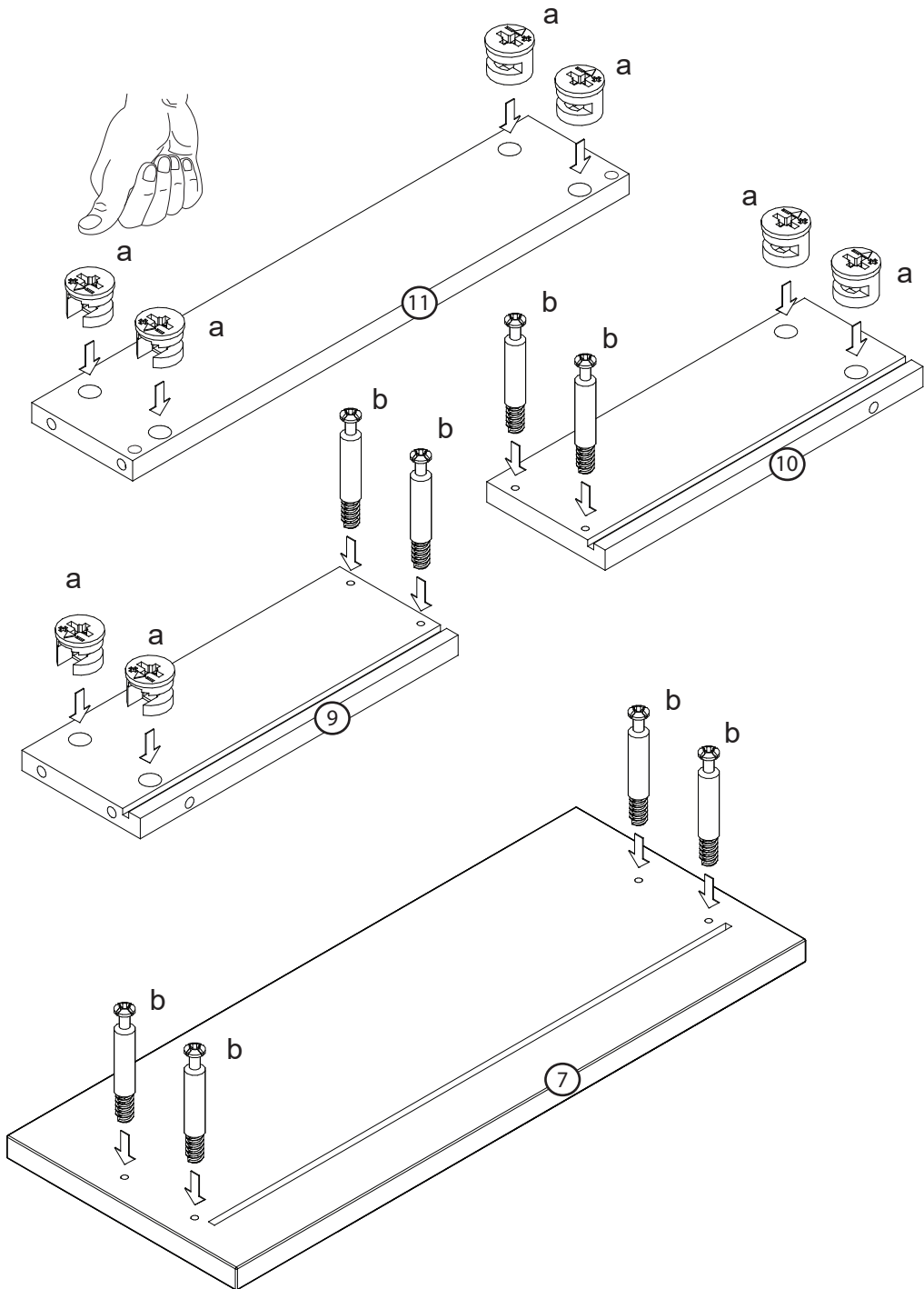
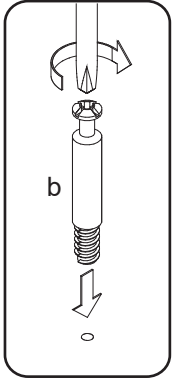
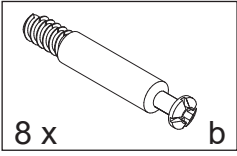
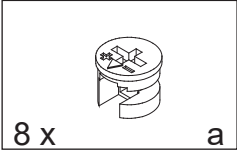
N 1002



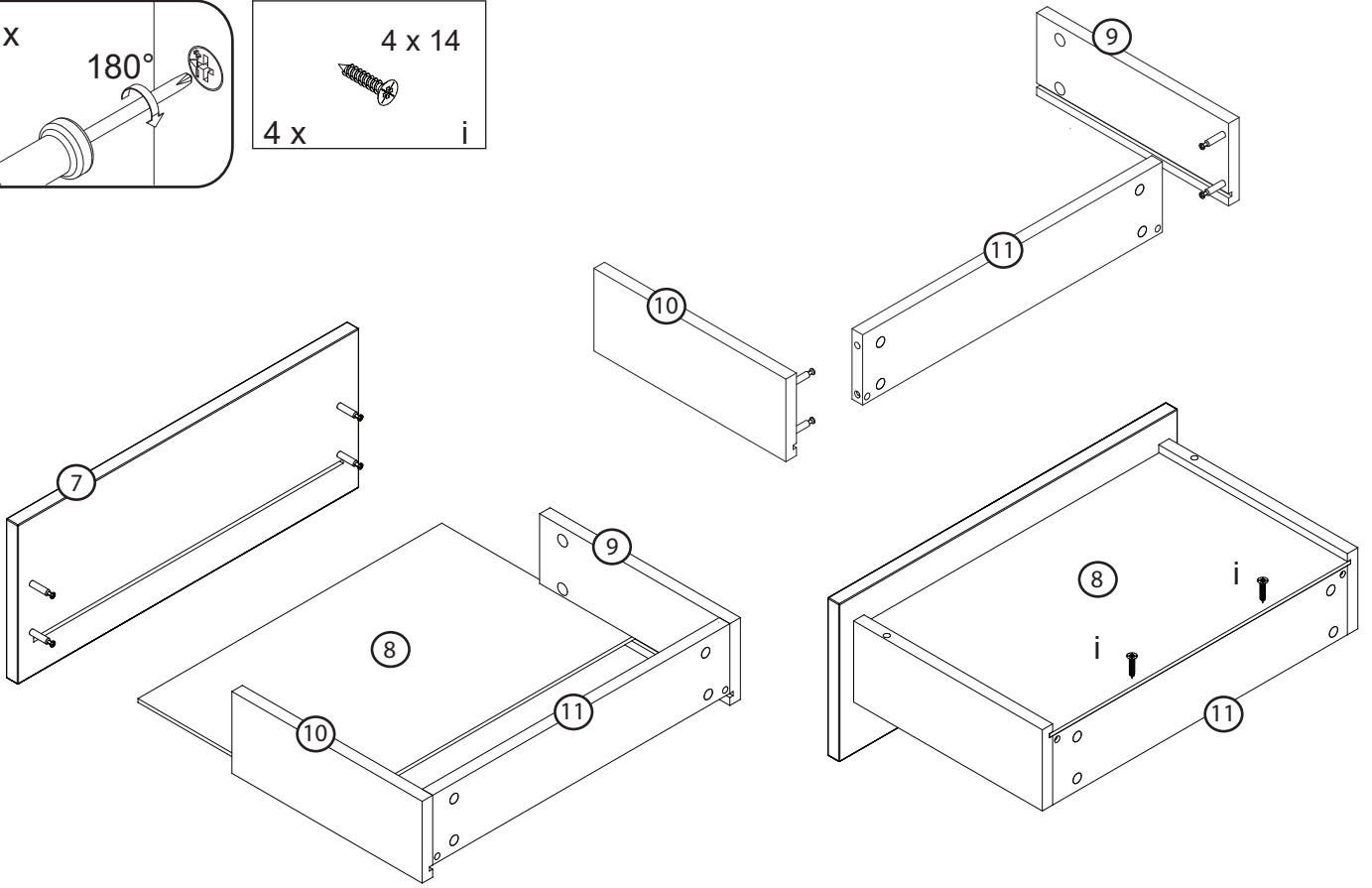
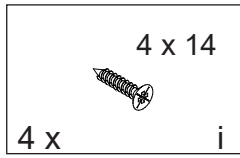
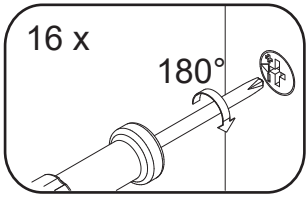


 24 x a	 24 x b	 4 x 8 x 30 c	 8 x 6,3 x 22 d	 10 x e	 2 x f
 2 x g	 optional 4 x 12 4 x h	 12 x 4 x 14 i	 4 x 4 x 30 j	 1 x optional k	
 2 x m		 2 x n			

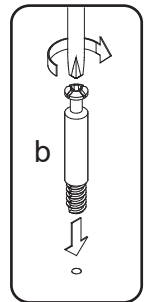
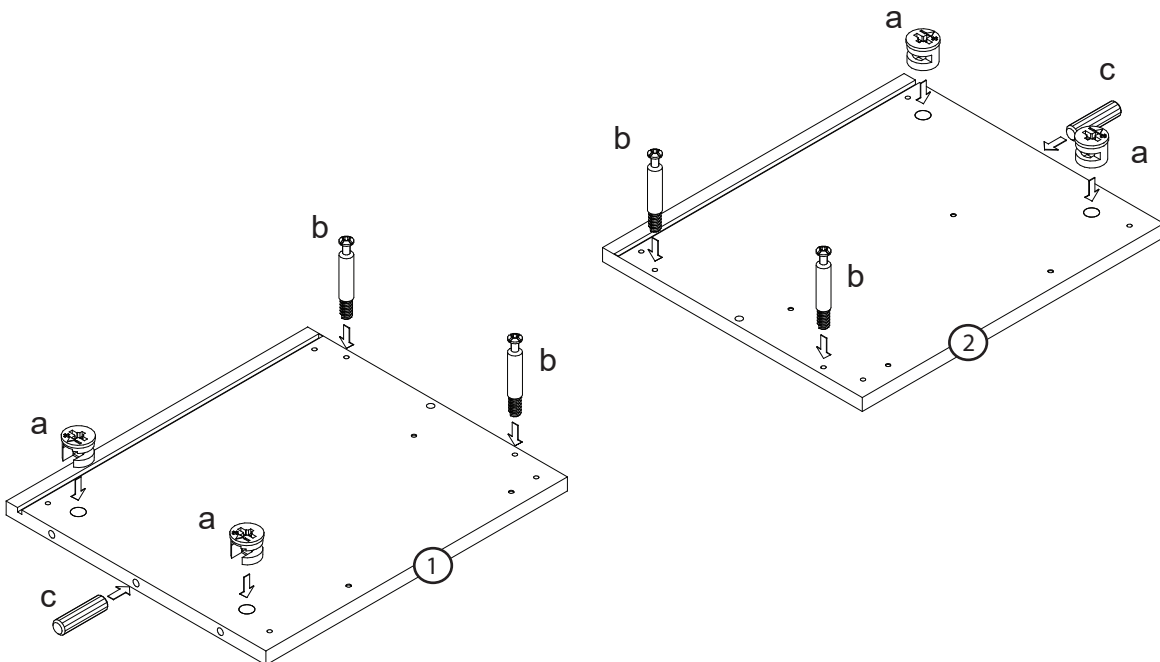
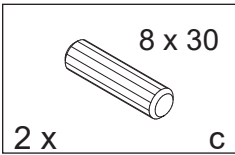
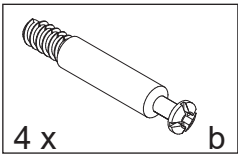
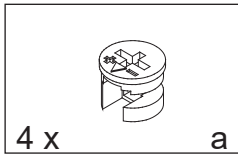
1 2x



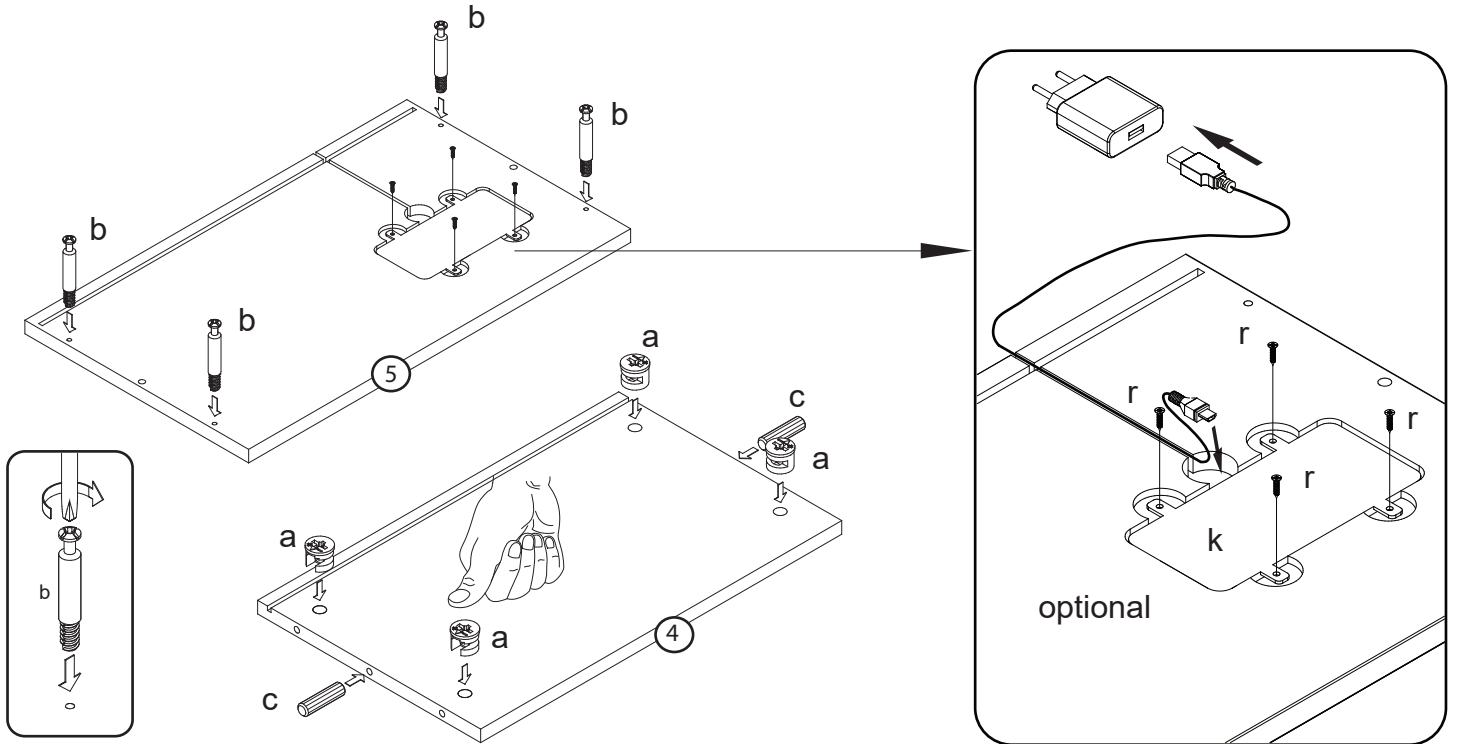
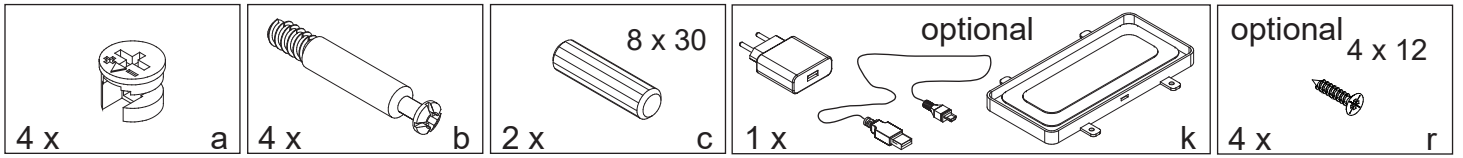
# 2 2 x



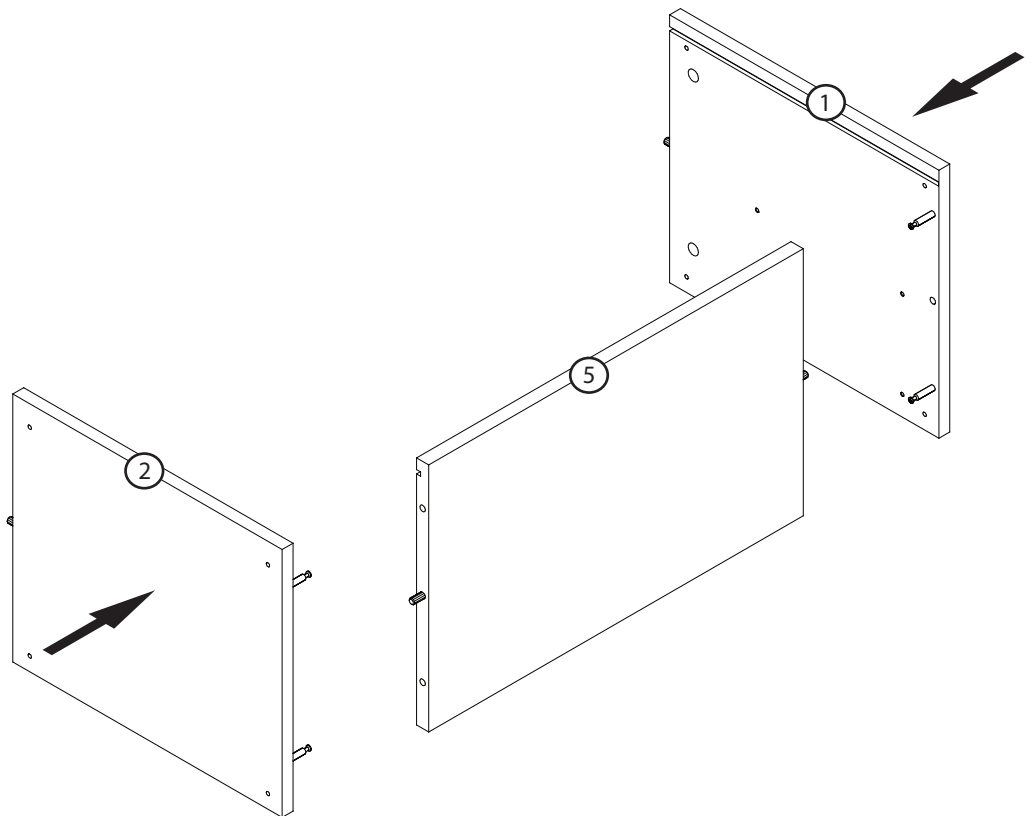
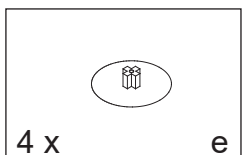
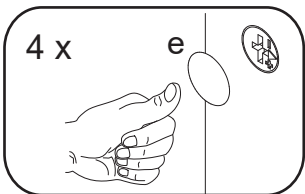
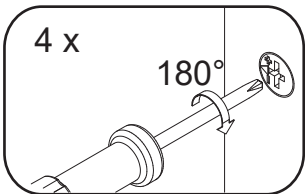
# 3



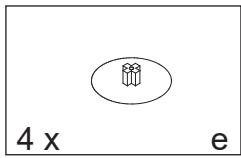
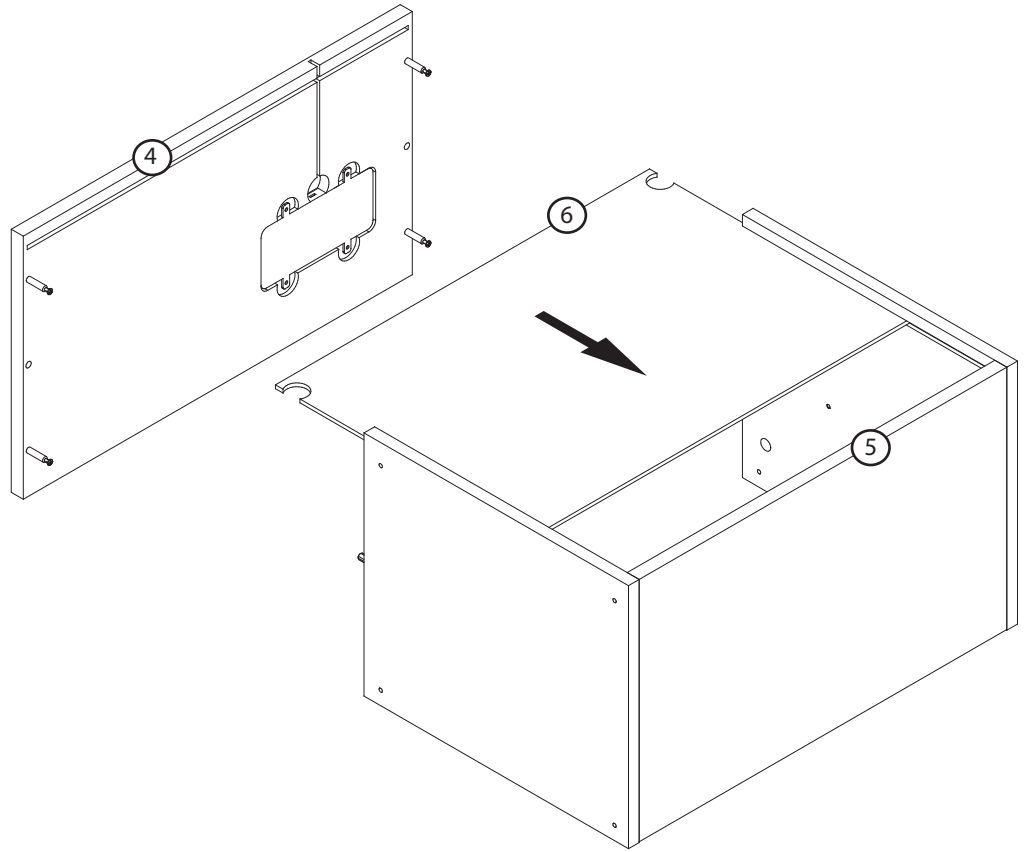
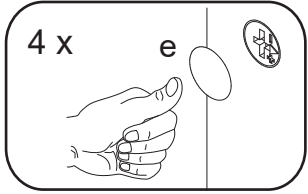
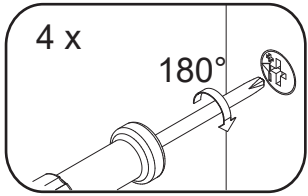
# 4



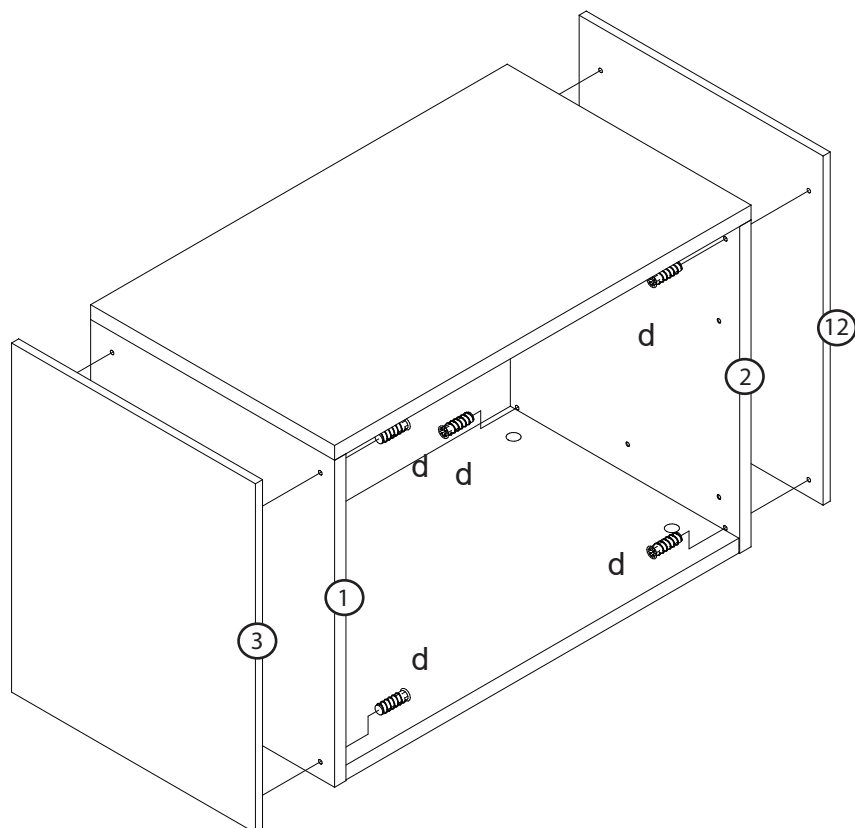
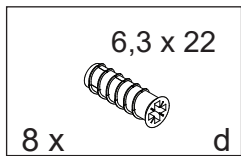
# 5



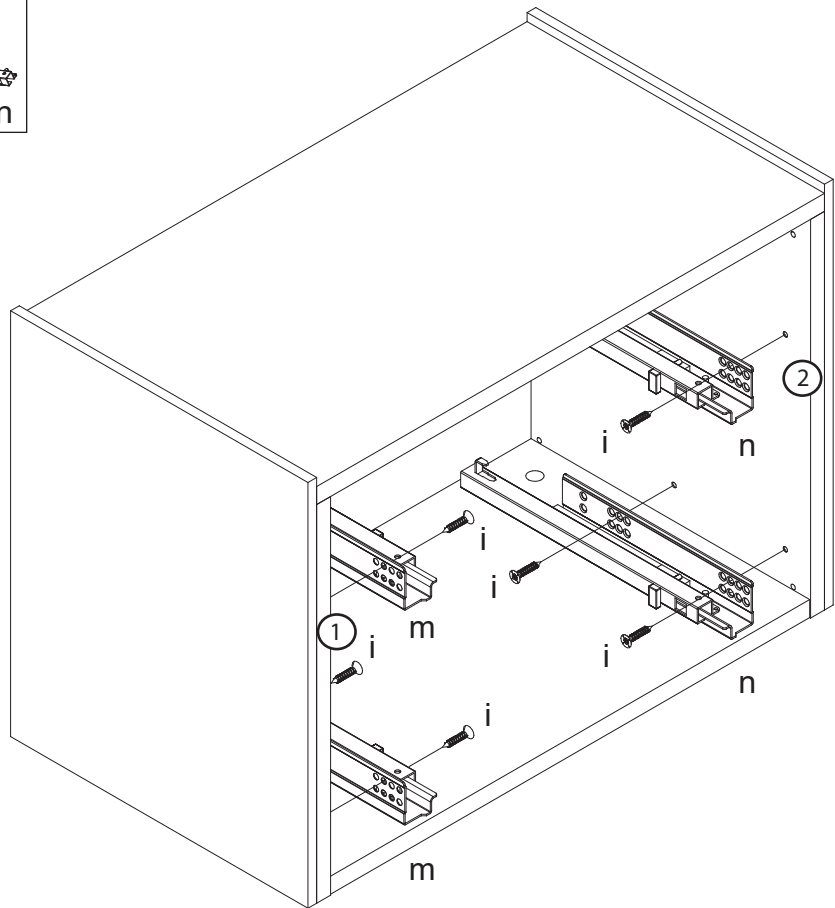
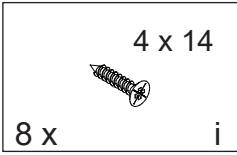
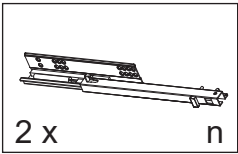
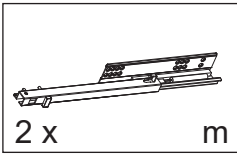
# 6



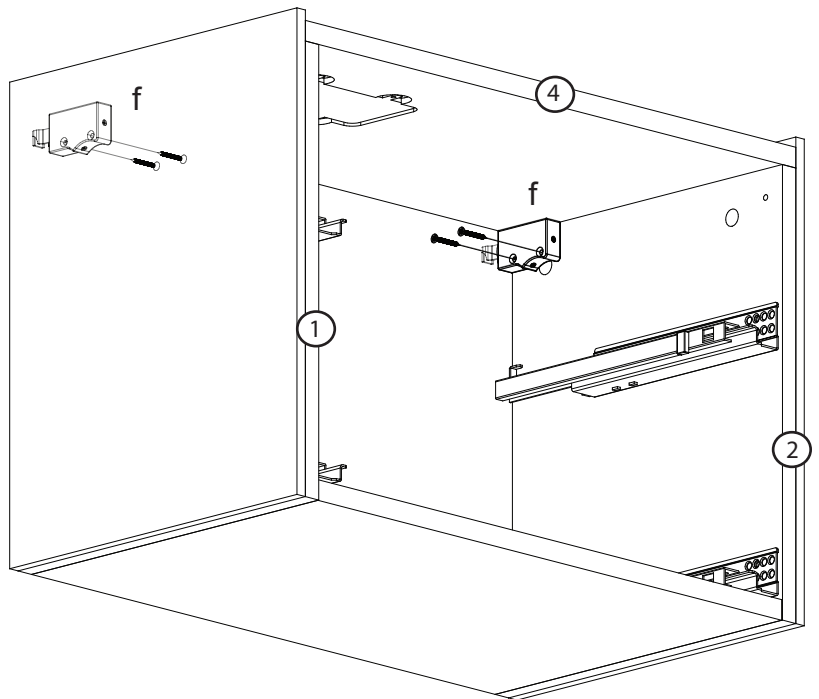
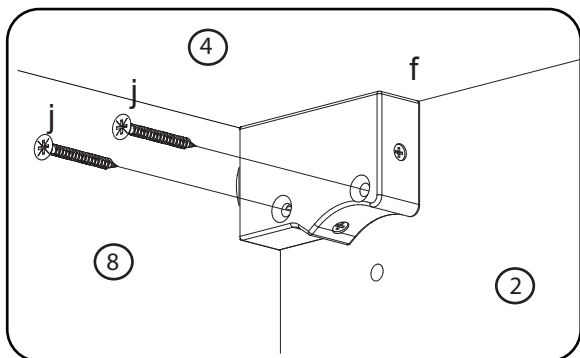
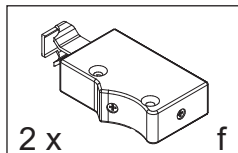
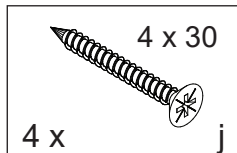
# 7



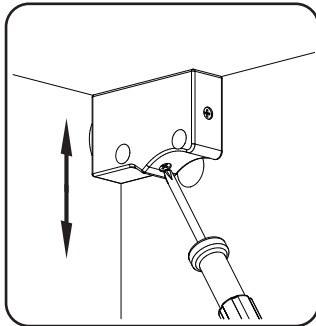
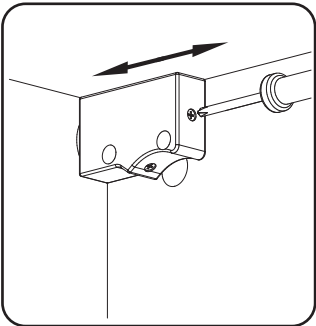
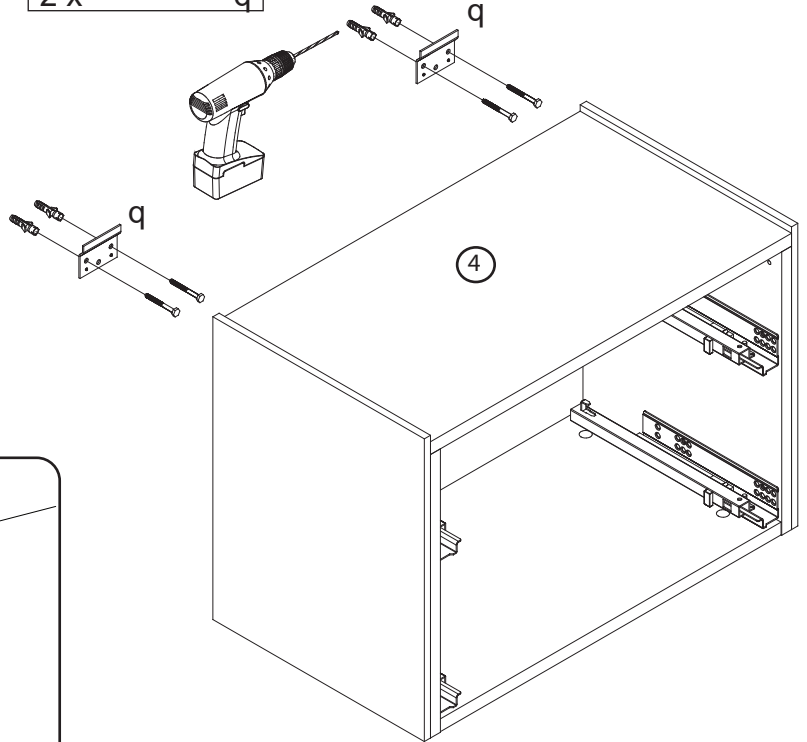
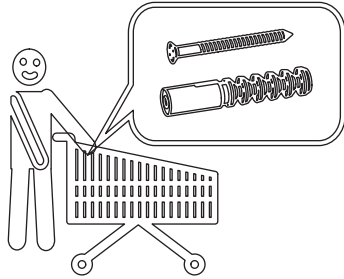
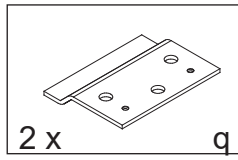
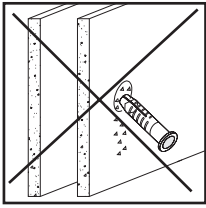
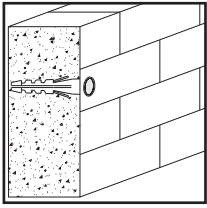
# 8



# 9



# 10



# 11

