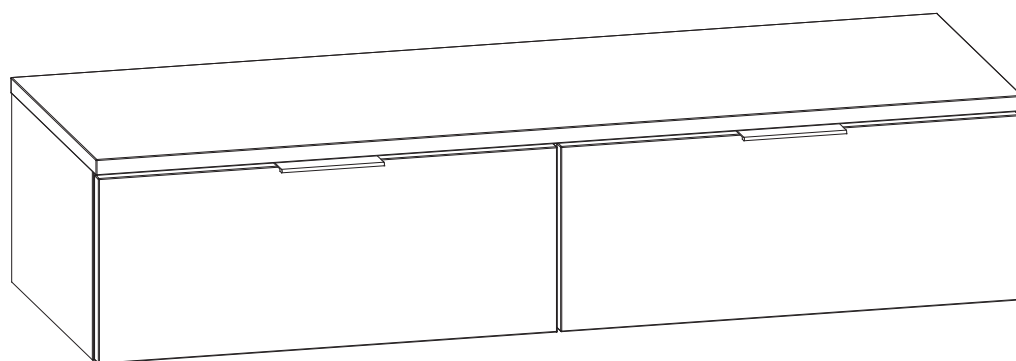
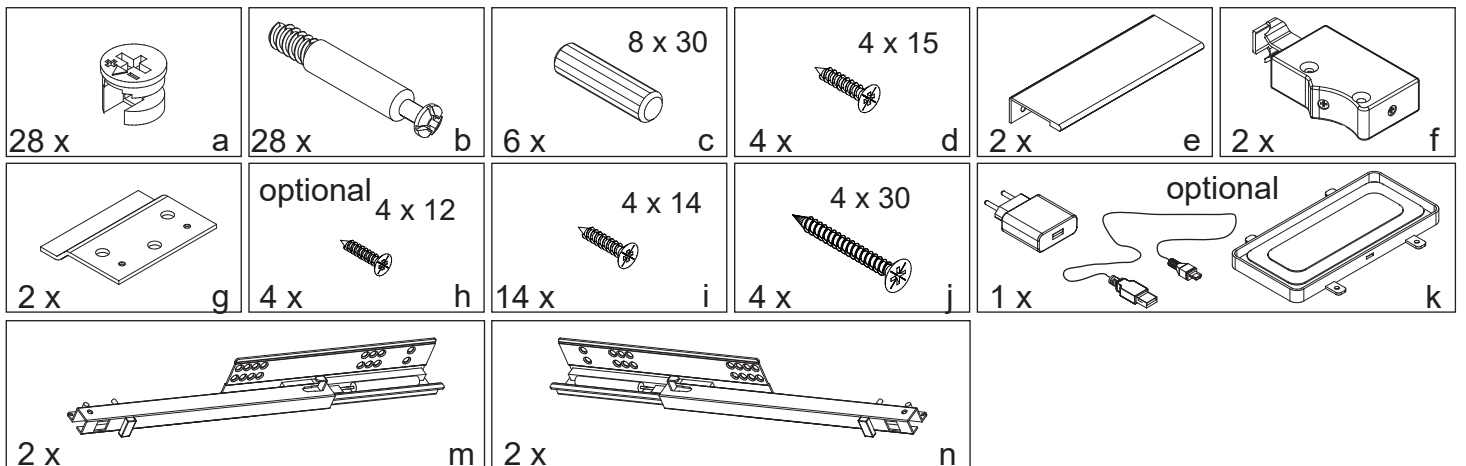
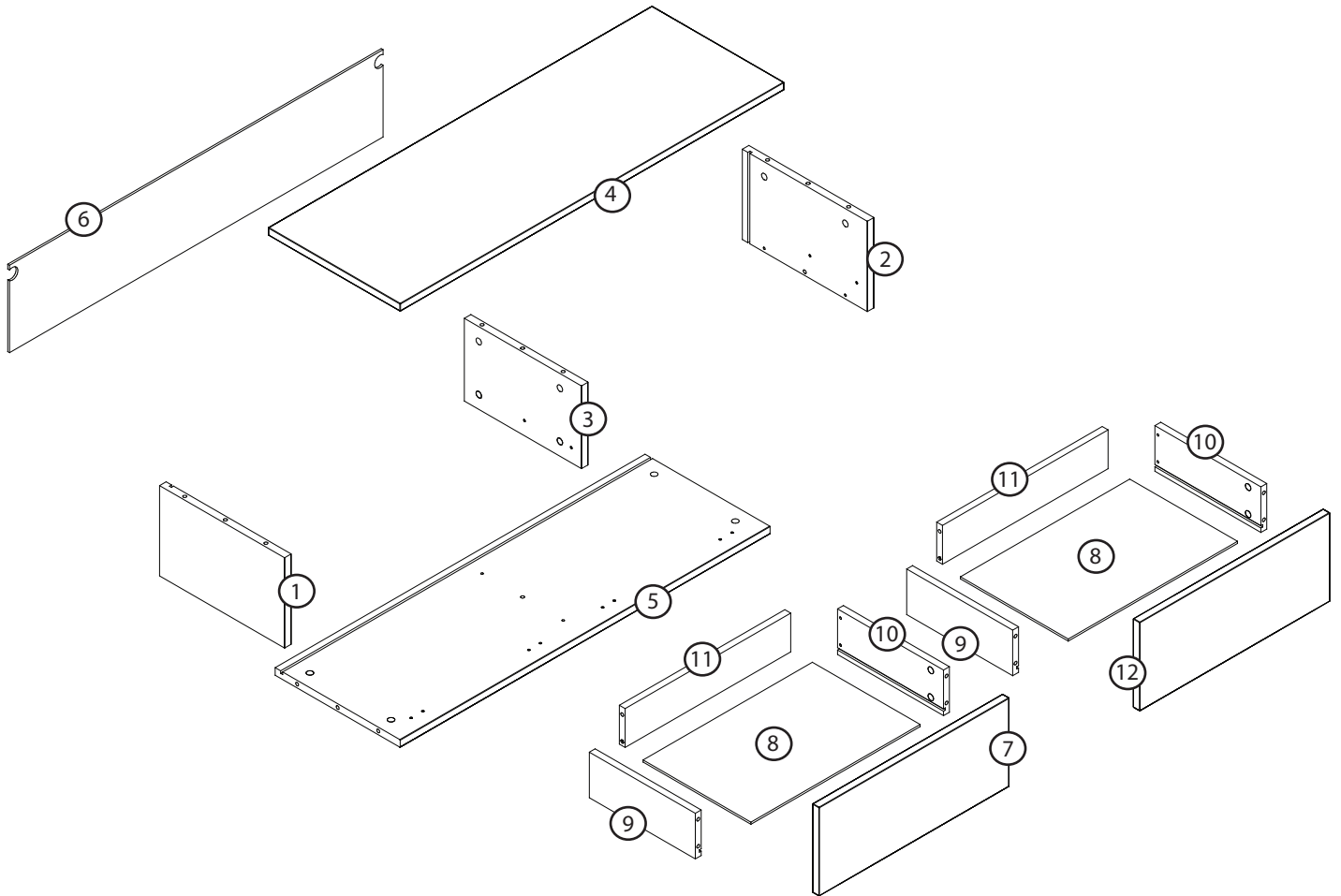
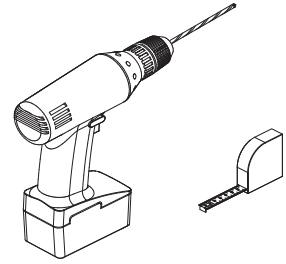
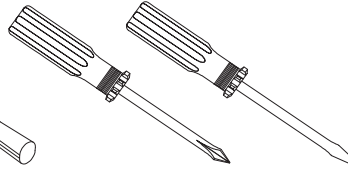
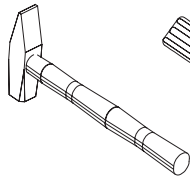
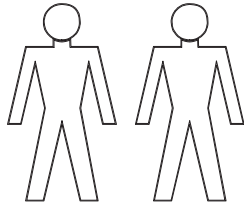
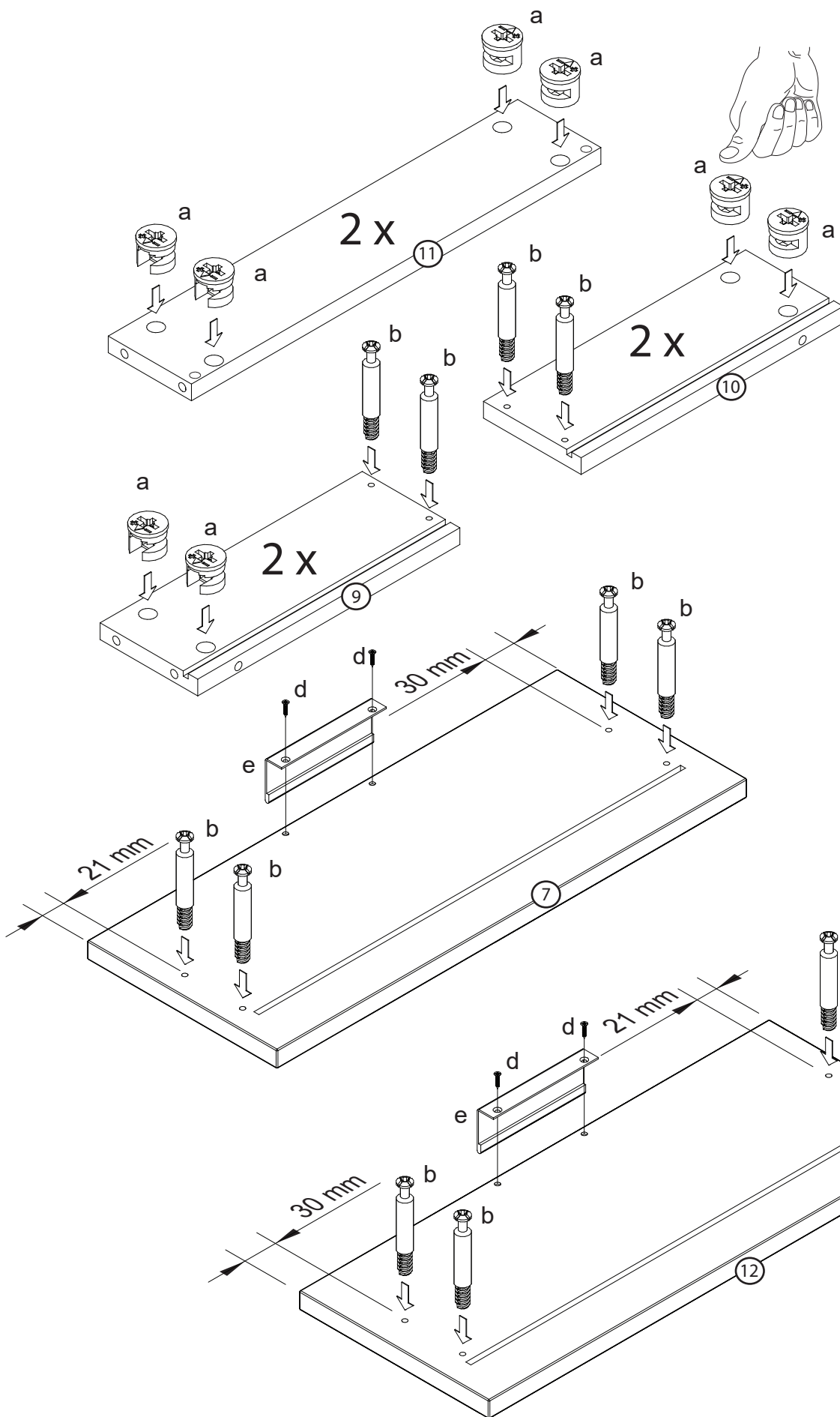


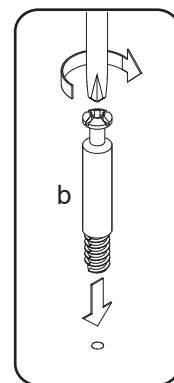
N 1003



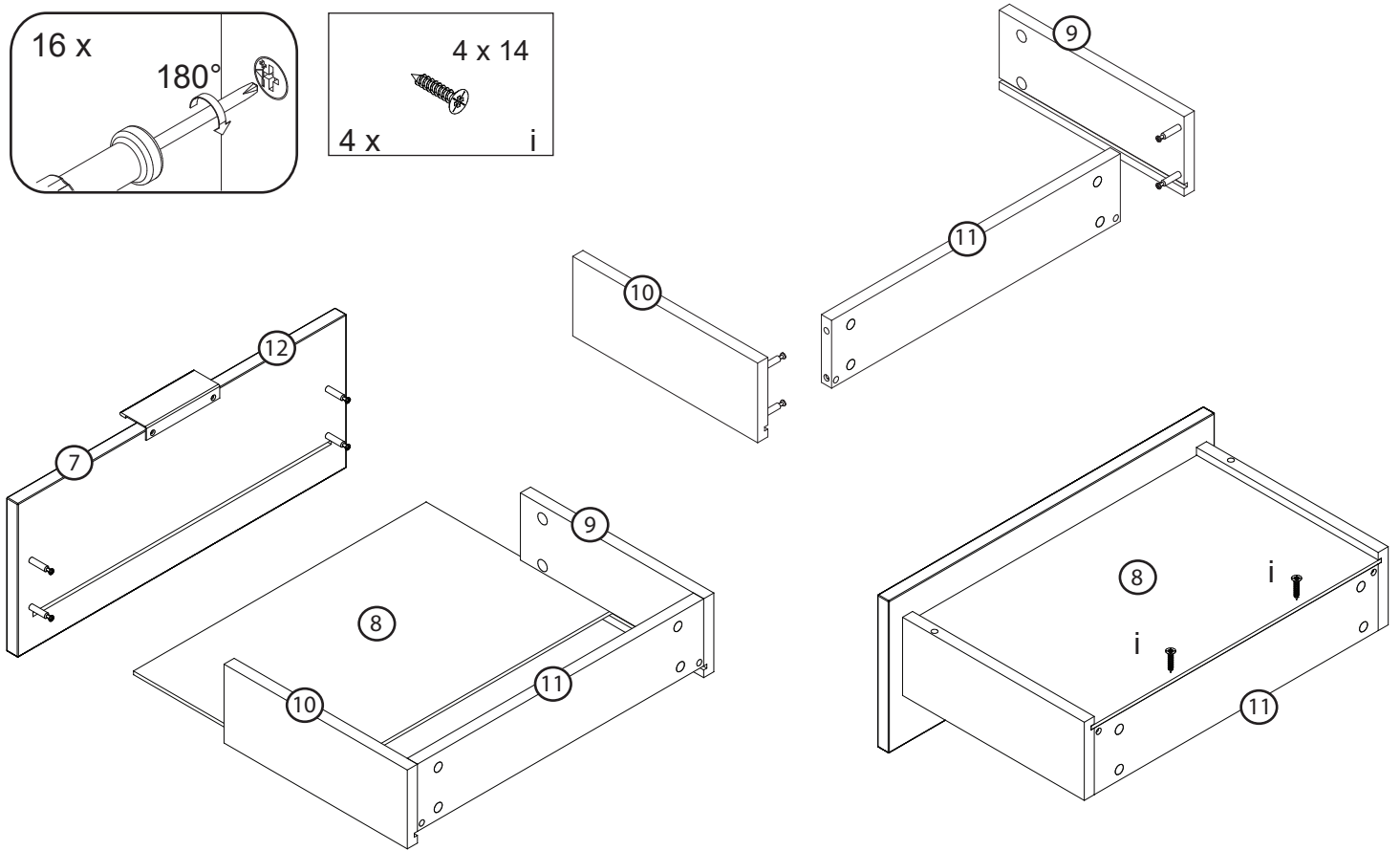
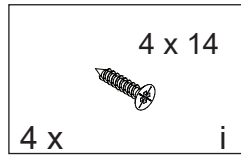
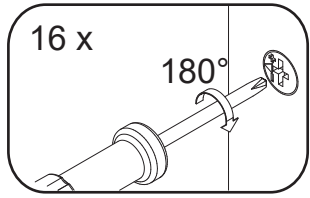




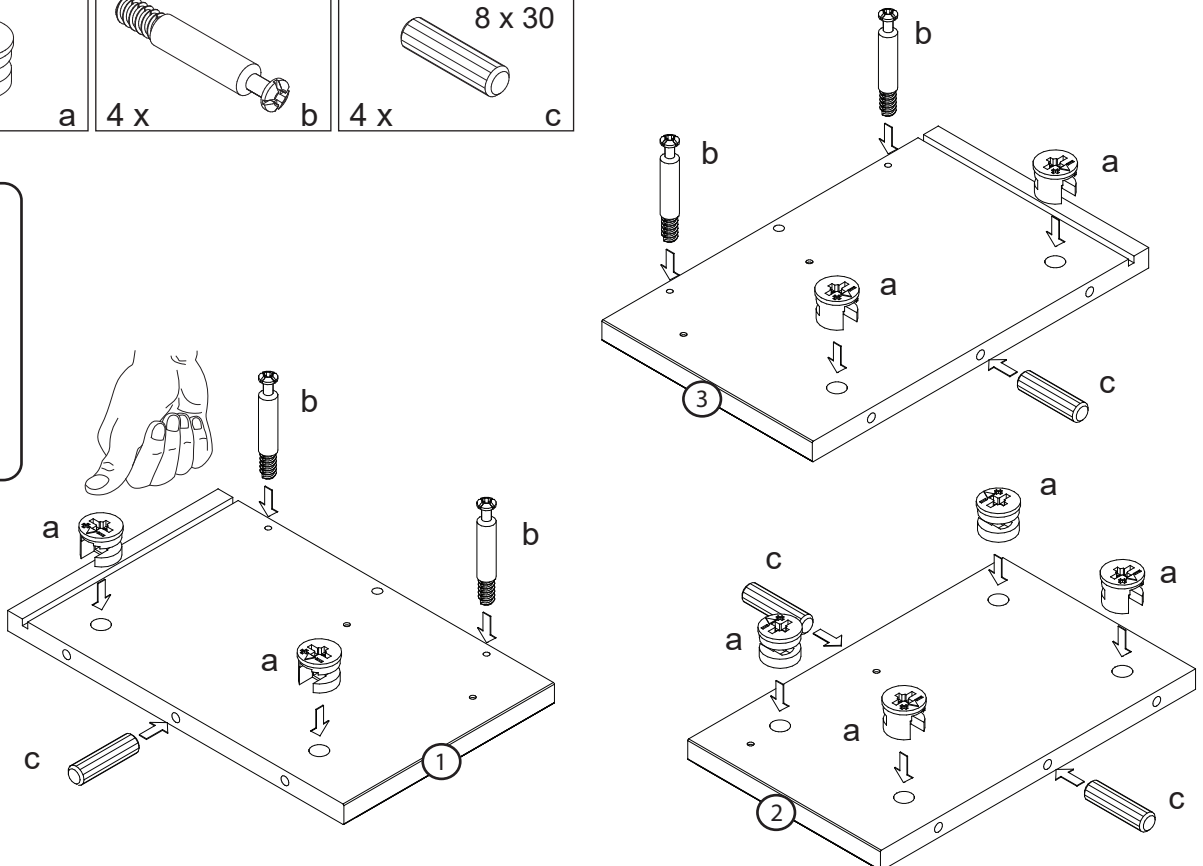
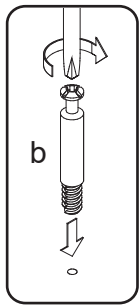
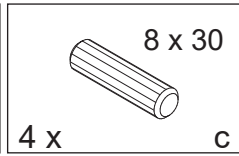
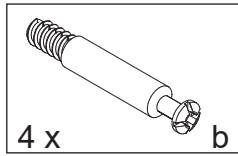
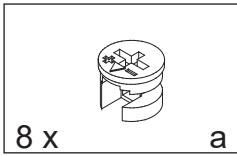
4 x 15	
	d
4 x	
2 x	
	e
2 x	
16 x	
	a
16 x	
16 x	
	b
16 x	



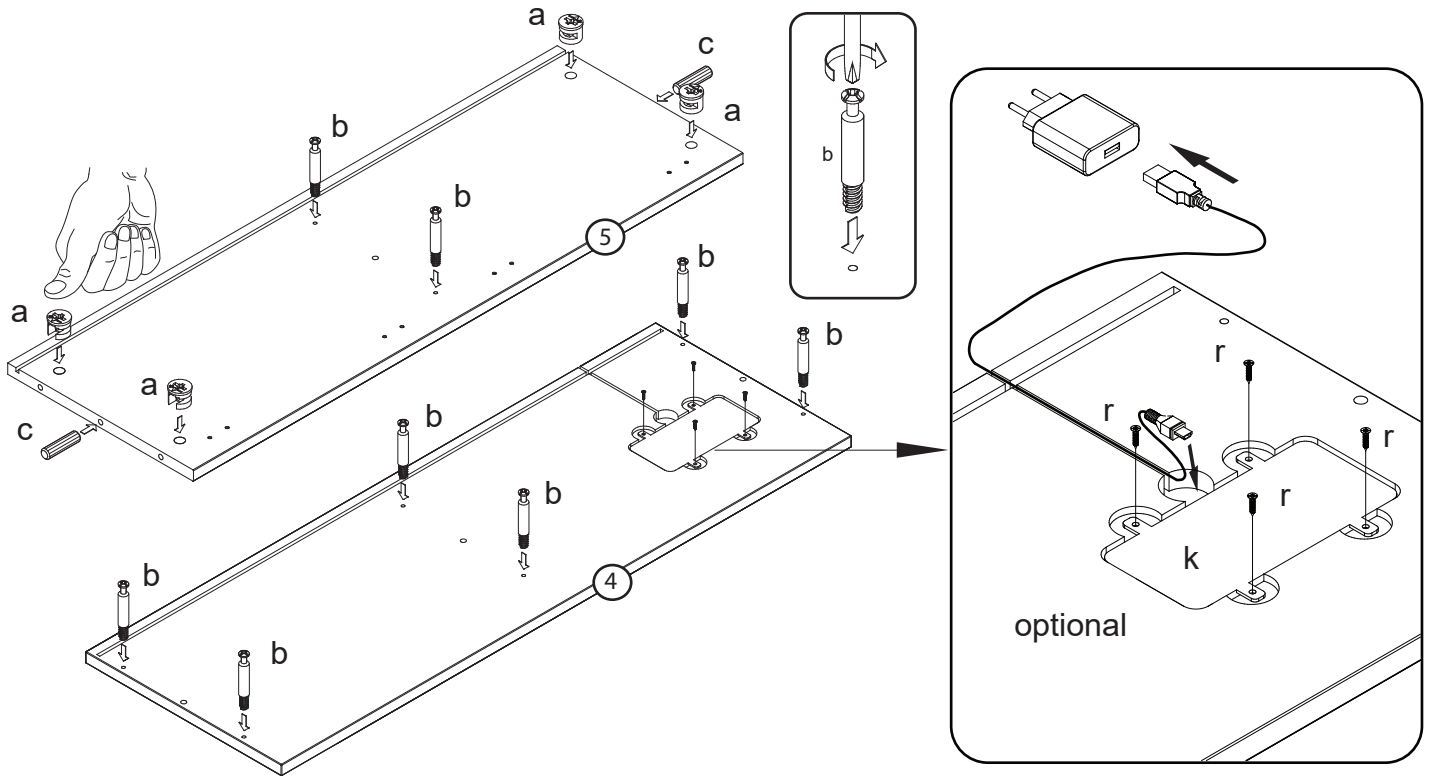
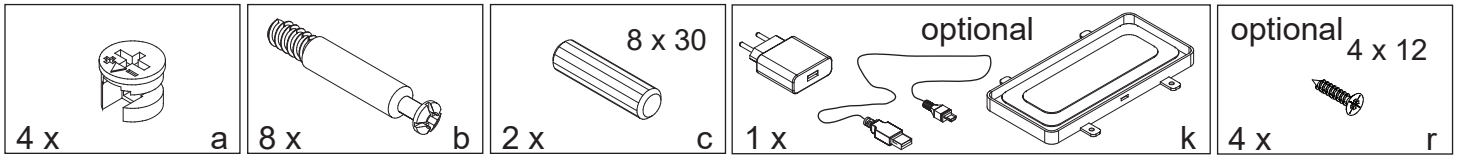
2 2x



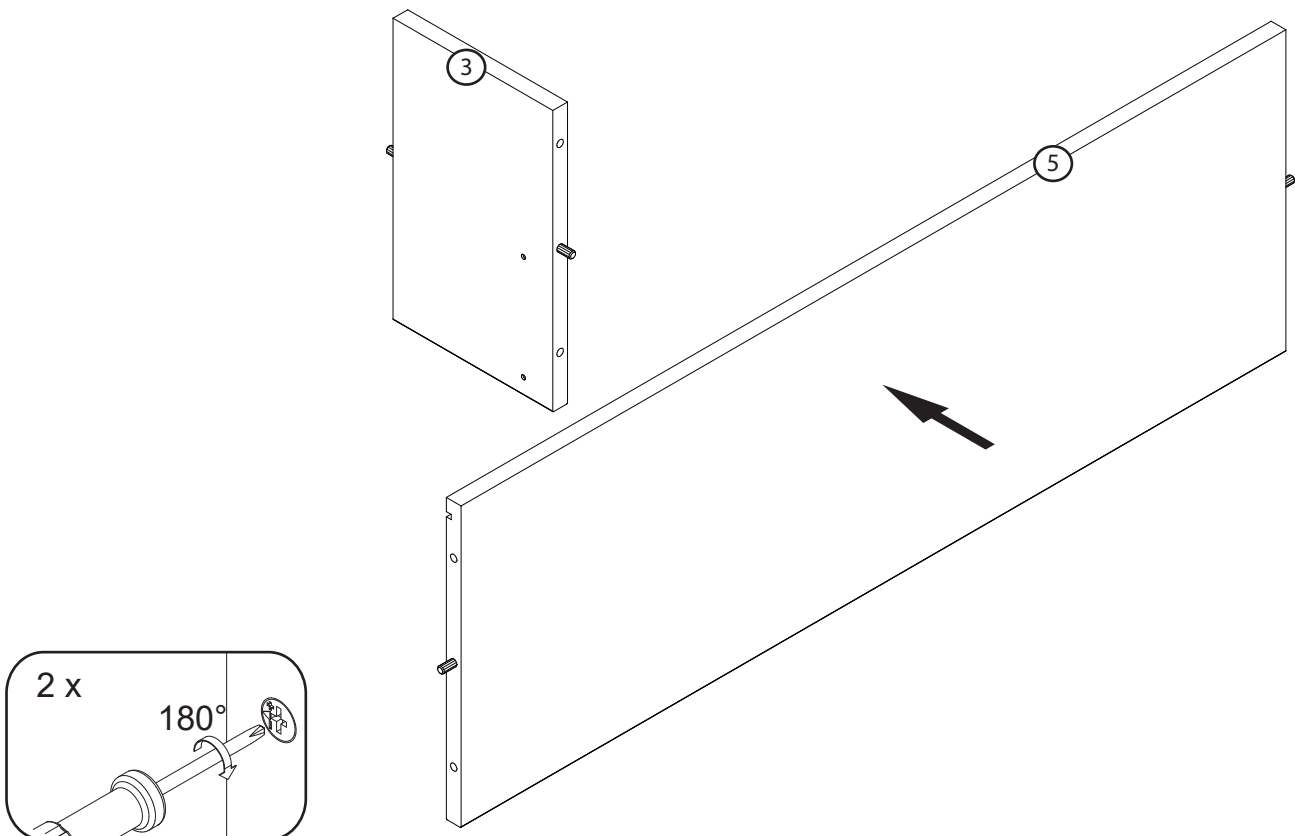
3



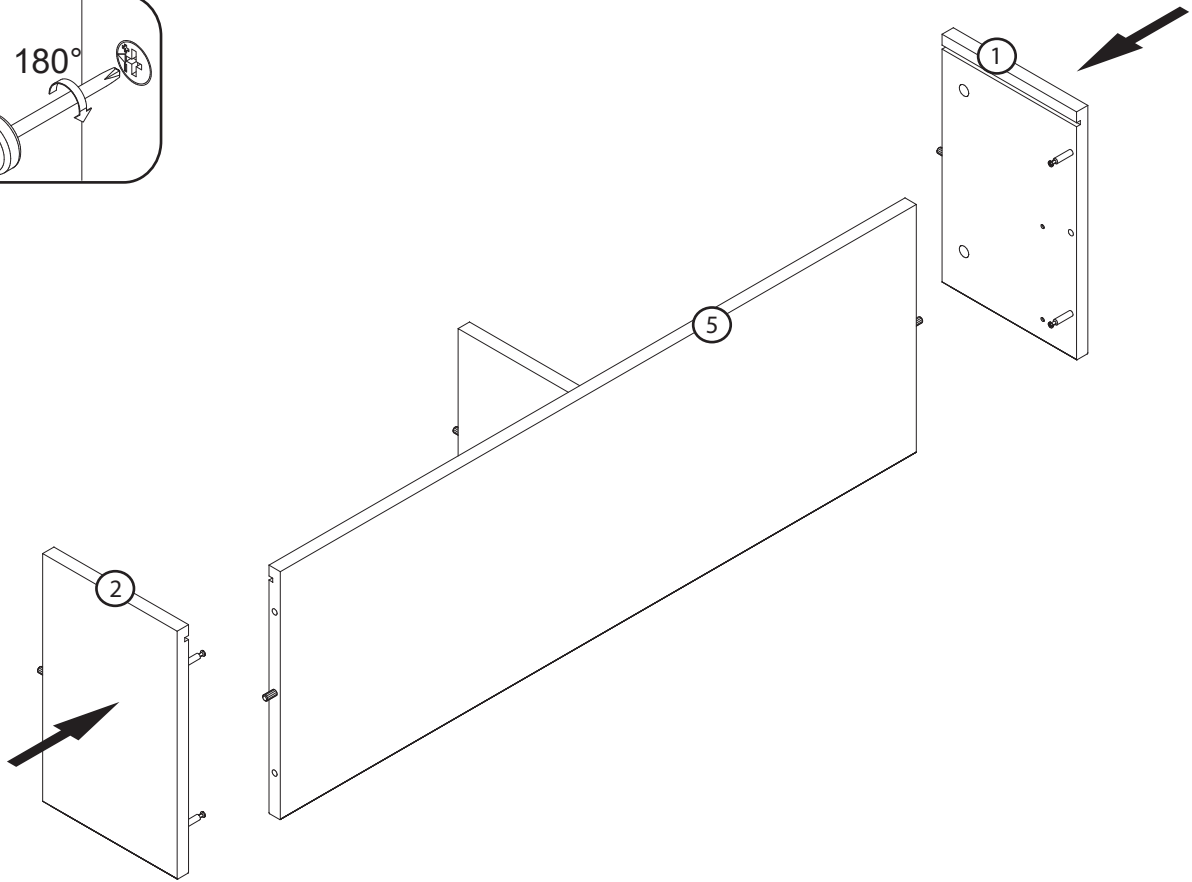
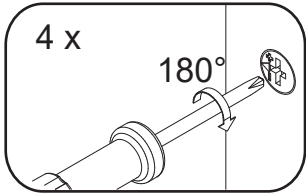
4



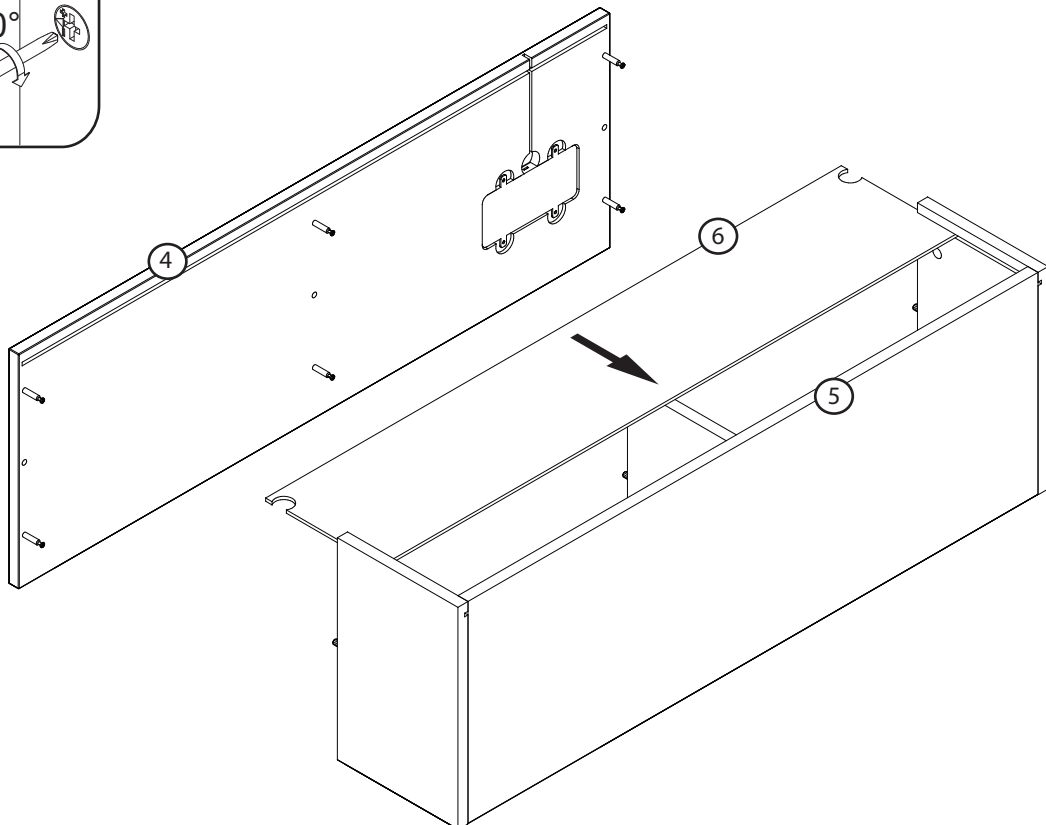
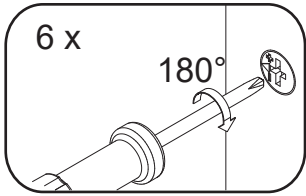
5



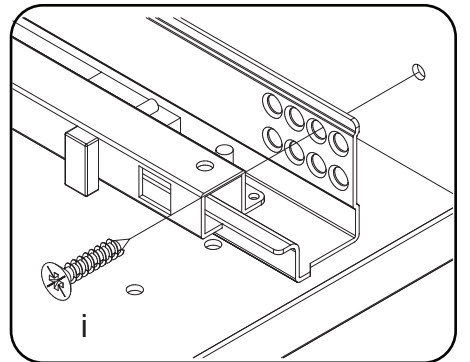
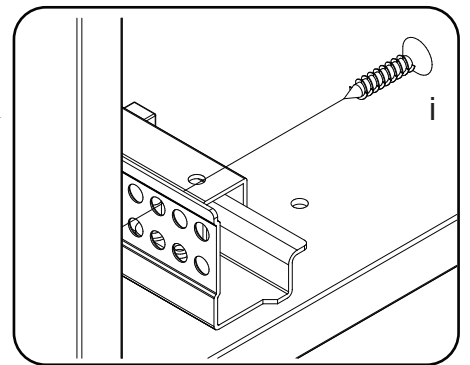
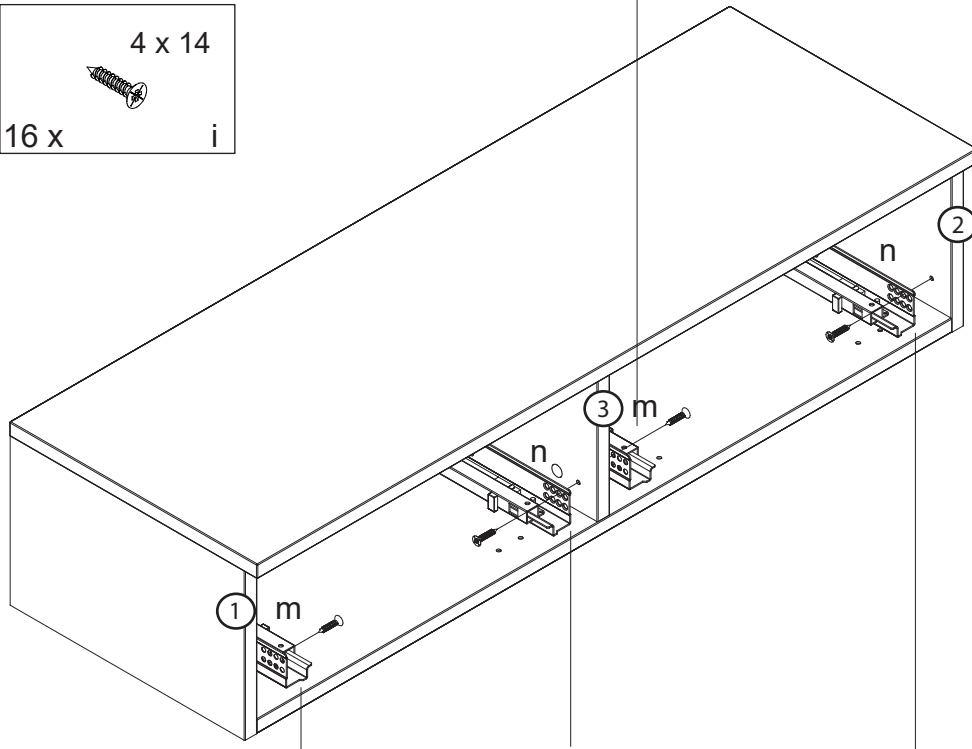
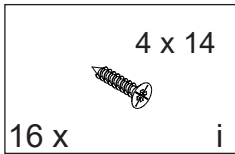
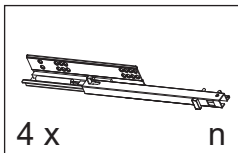
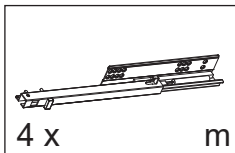
6



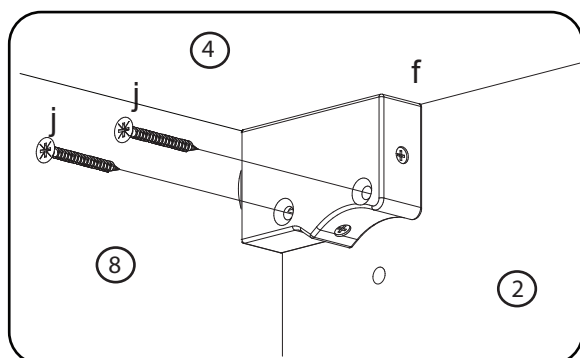
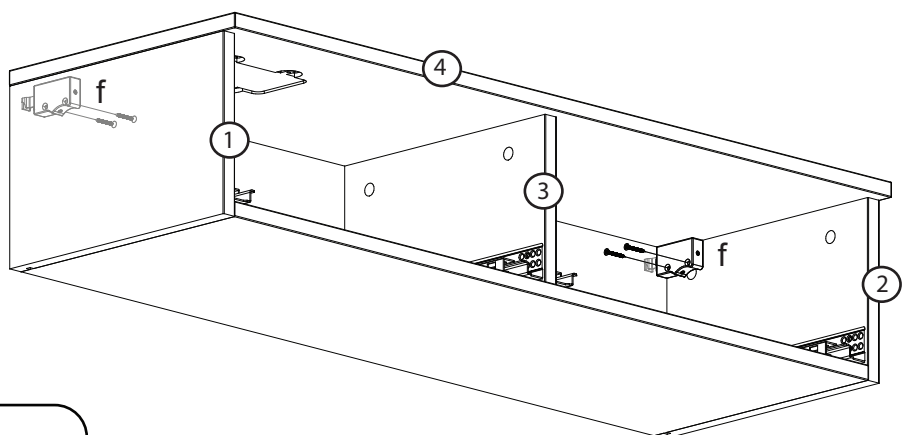
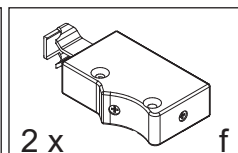
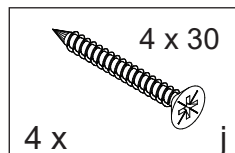
7



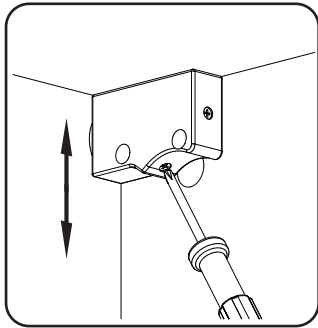
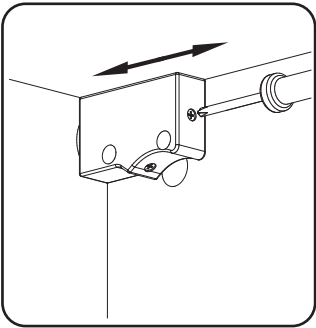
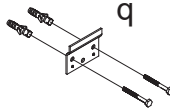
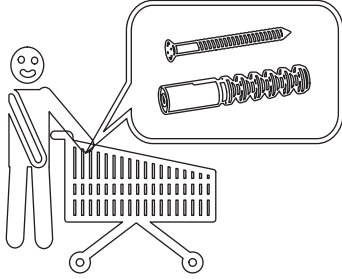
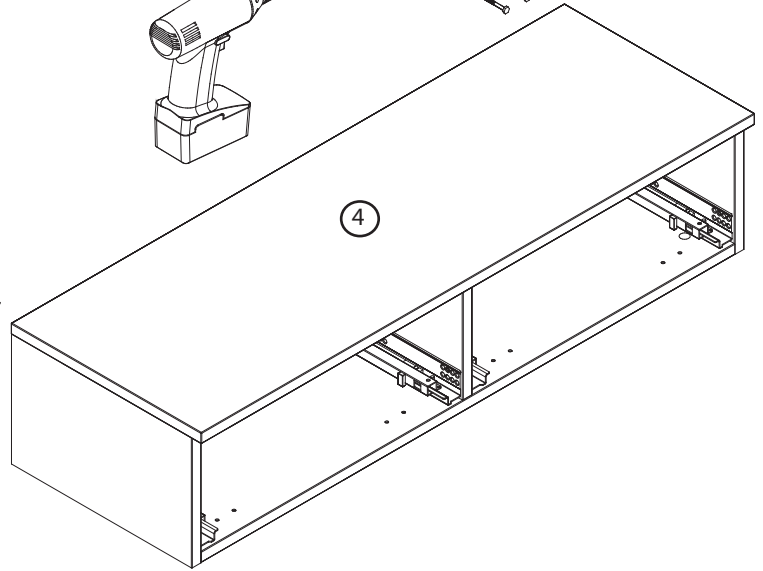
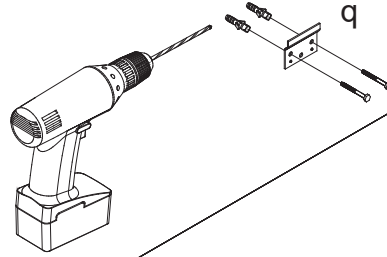
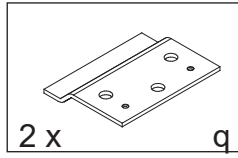
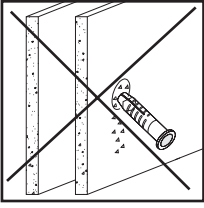
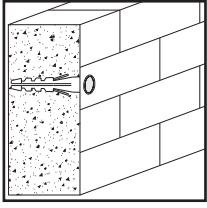
8



9



10



11

