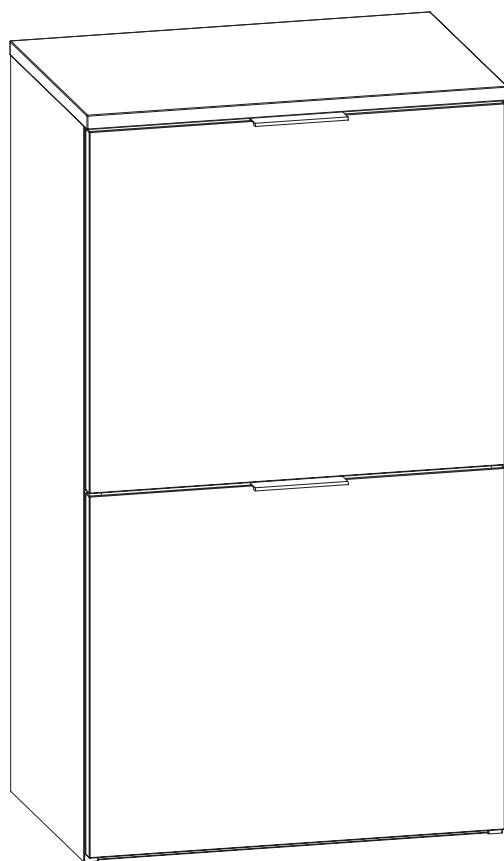
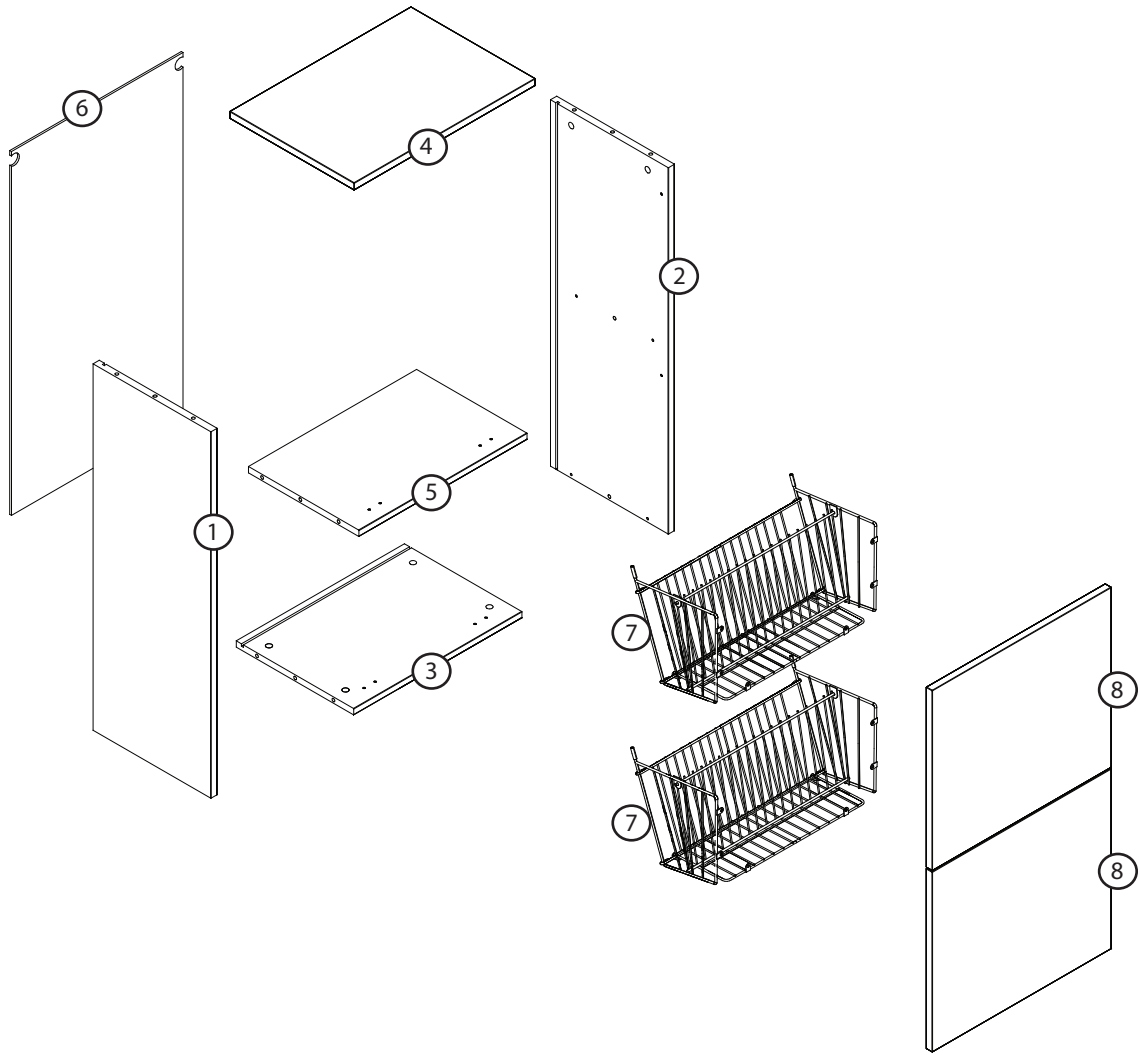
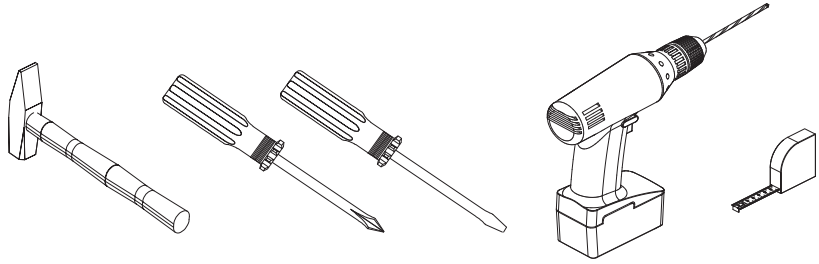
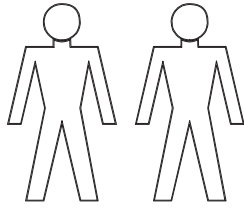


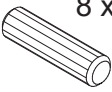

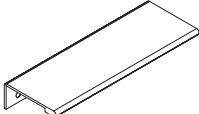
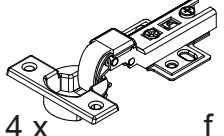
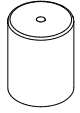
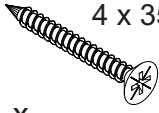

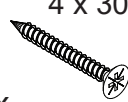
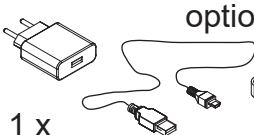
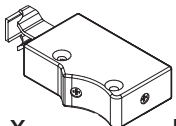

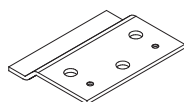

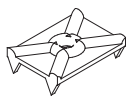



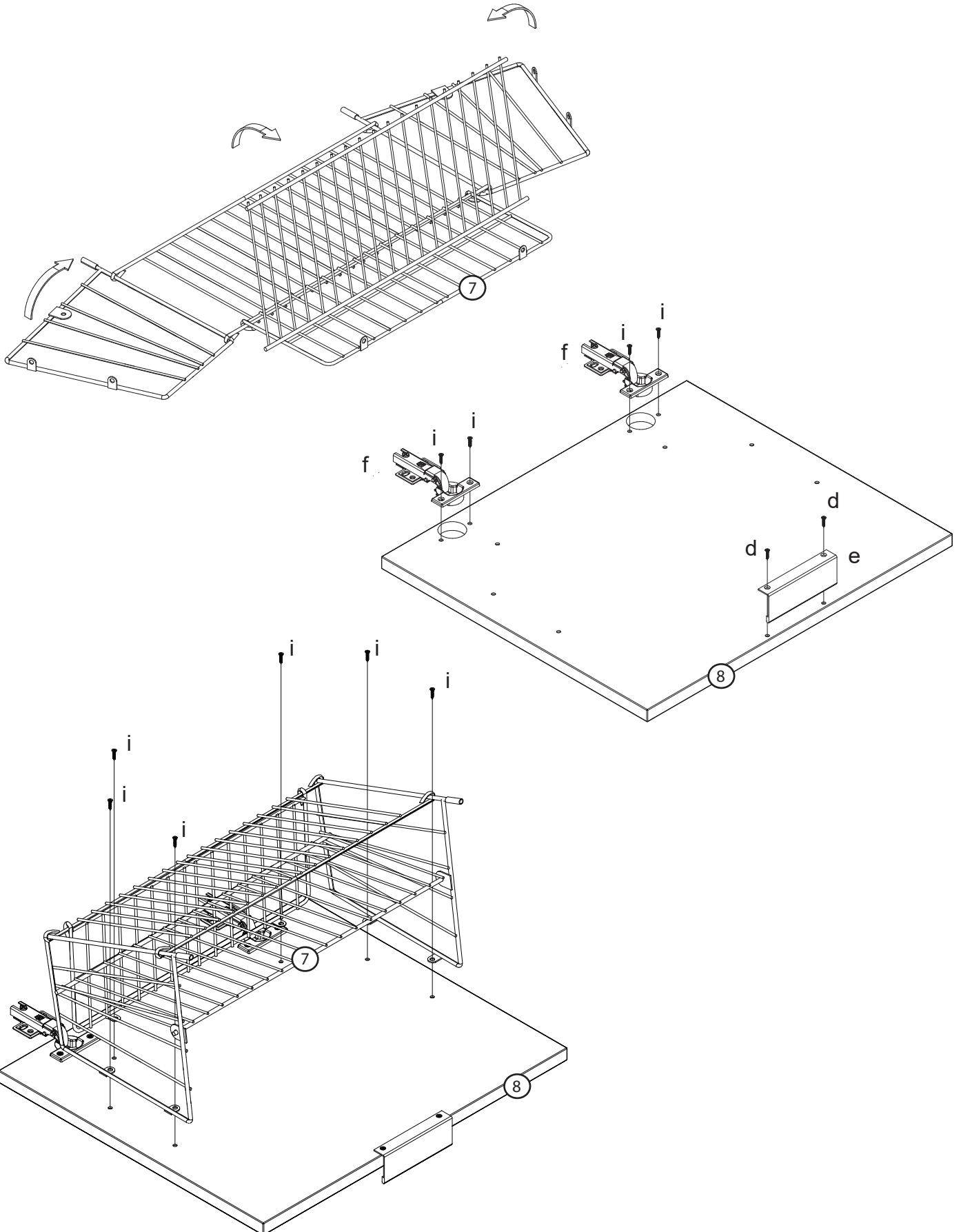
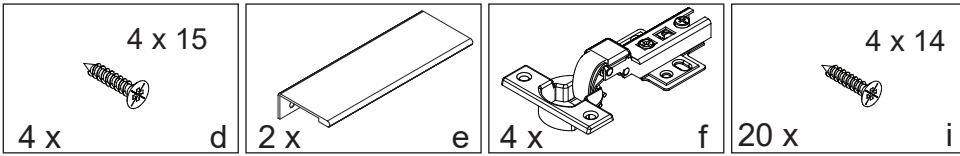
N 1007



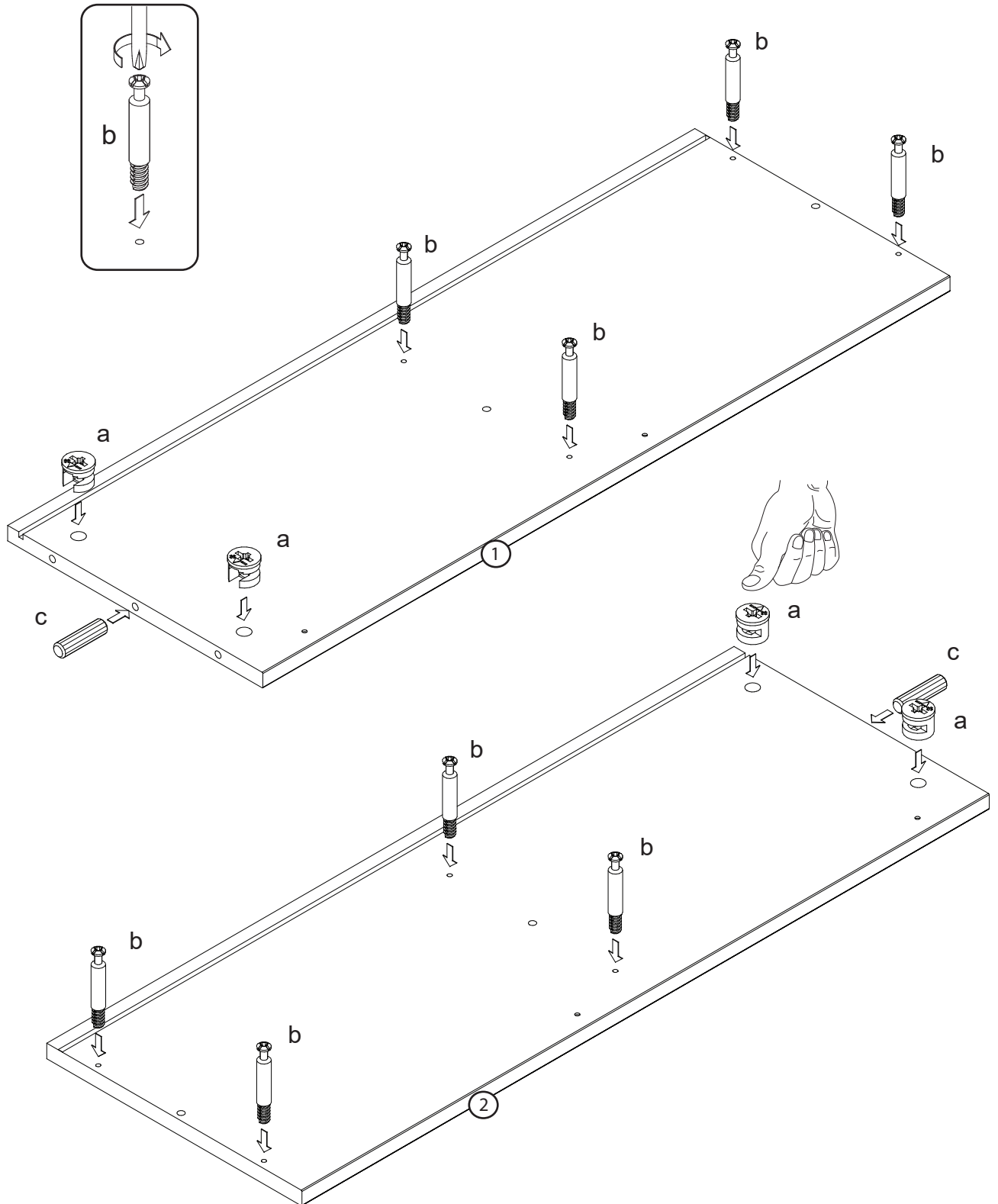
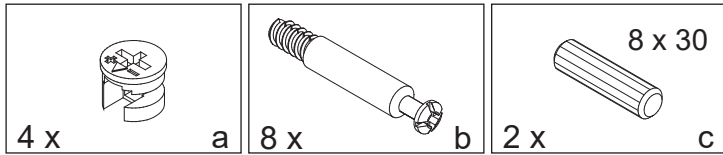


12 x  a	12 x  b	6 x 8 x 30  c	4 x 4 x 15  d	2 x  e	4 x  f
4 x  g	4 x 4 x 35  h	28 x 4 x 14  i	4 x 4 x 30  j	1 x optional  k	
2 x  m	8 x  n	2 x  q	optional 4 x 12 4 x  r	1 x  s	1 x  t

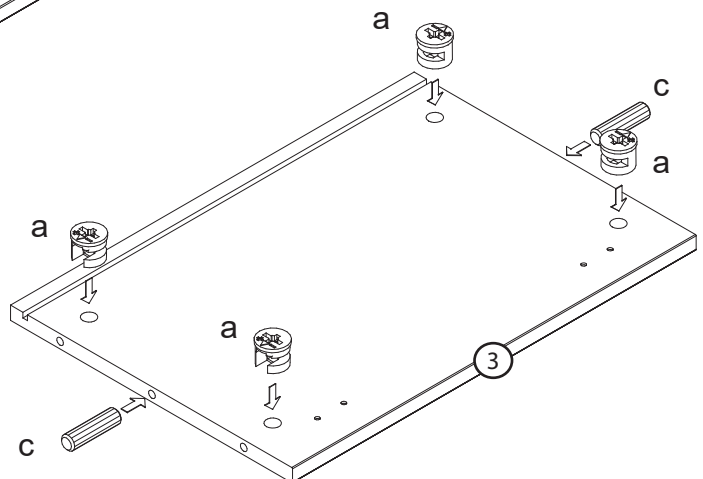
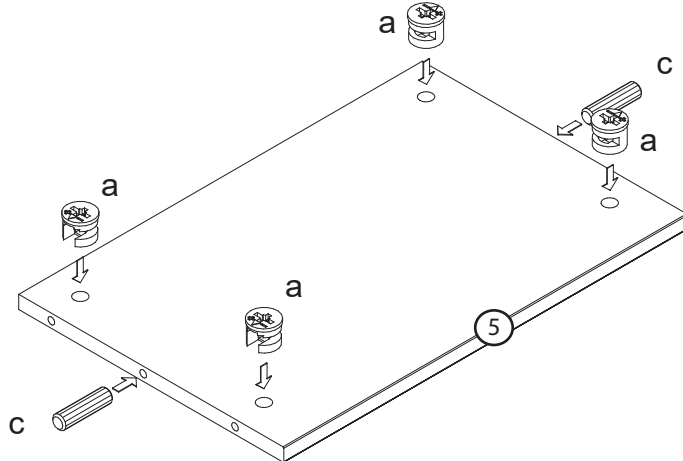
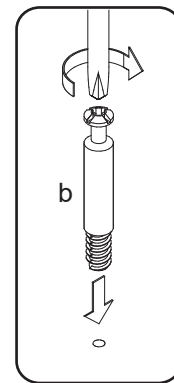
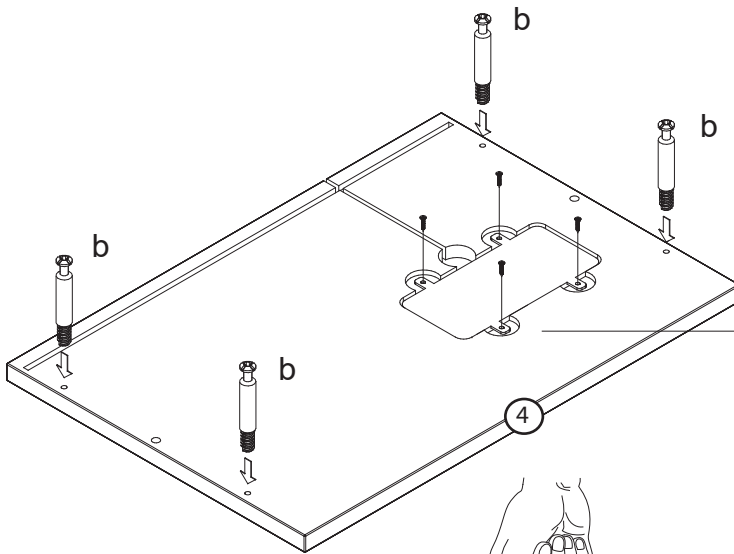
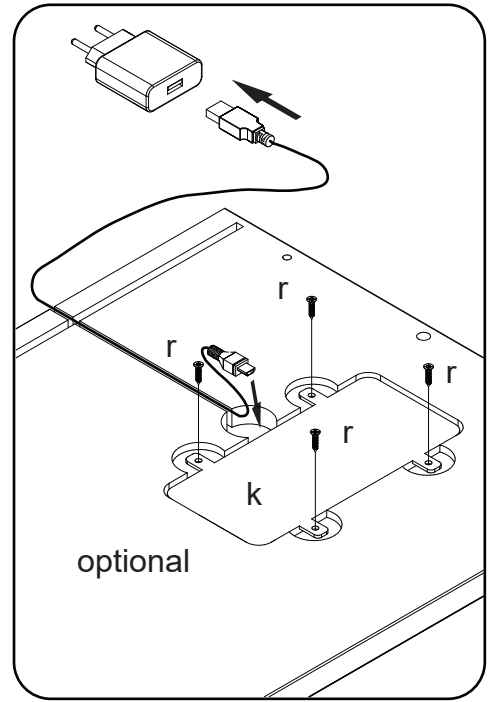
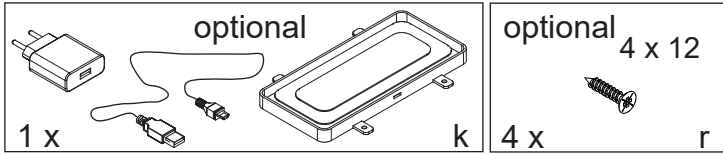
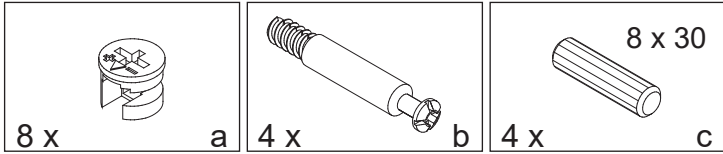
# 1 2x



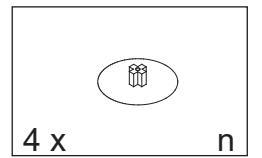
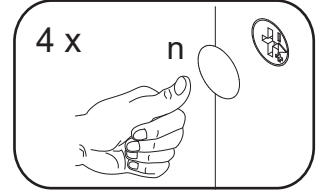
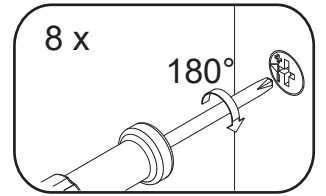
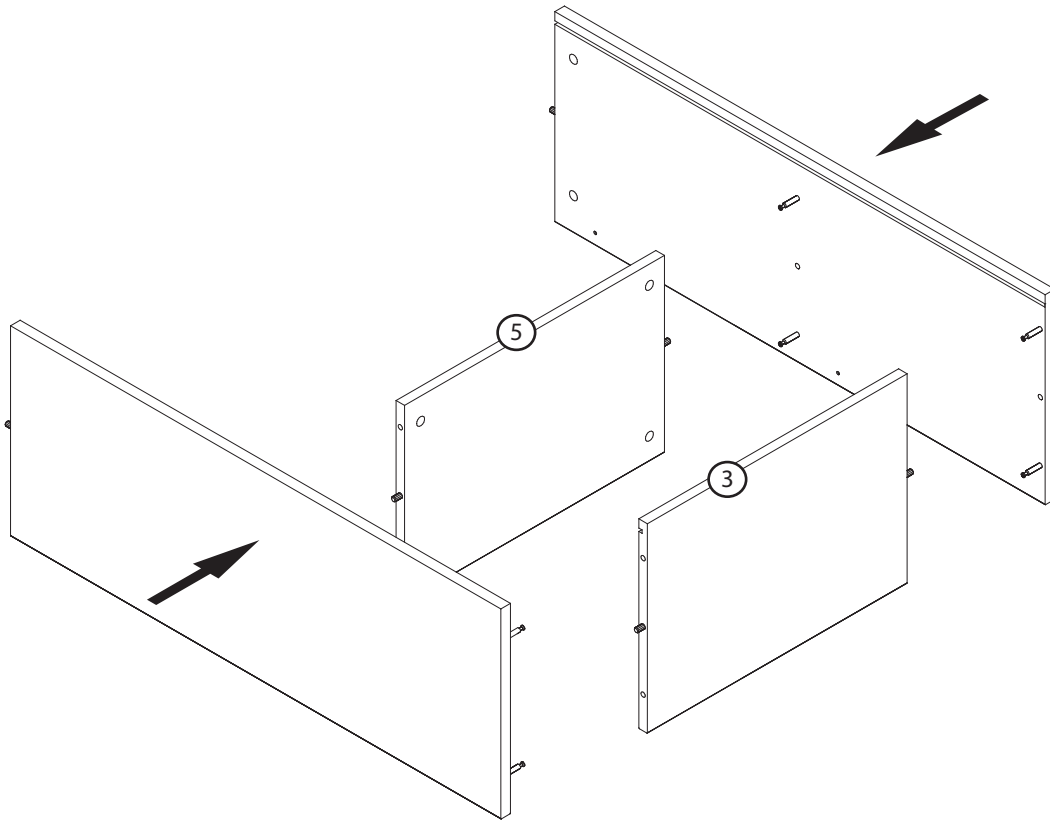
# 2



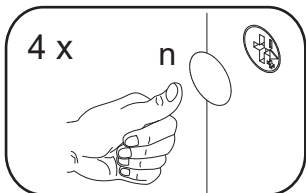
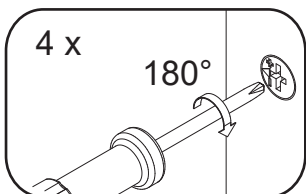
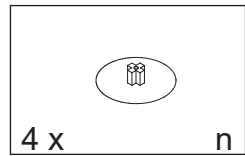
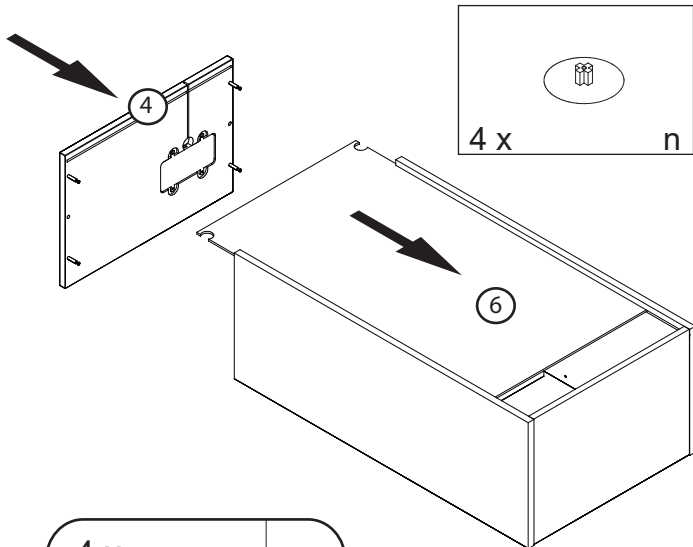
# 3



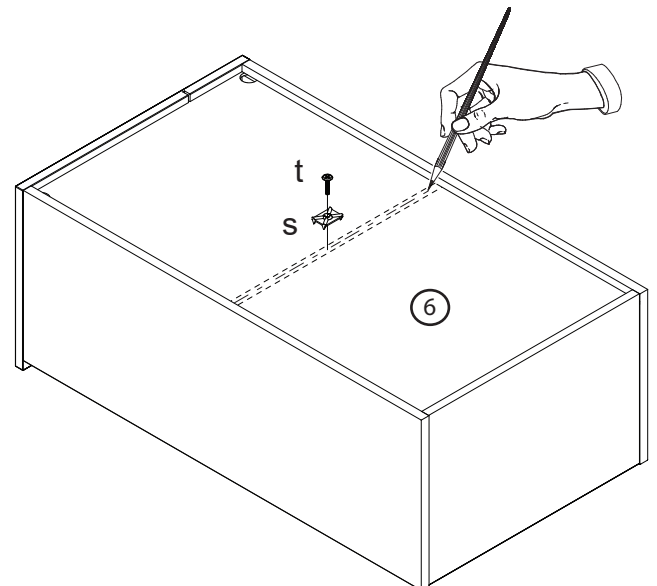
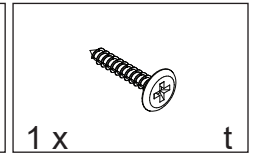
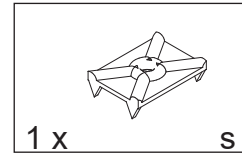
# 4



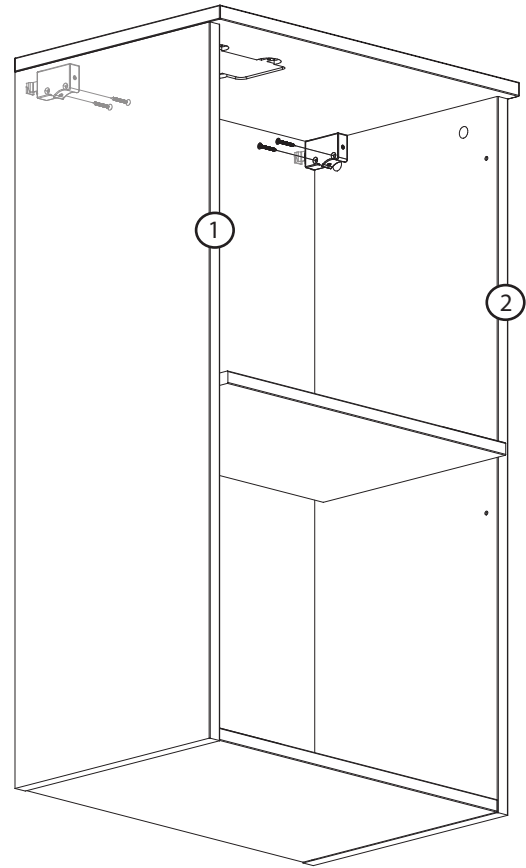
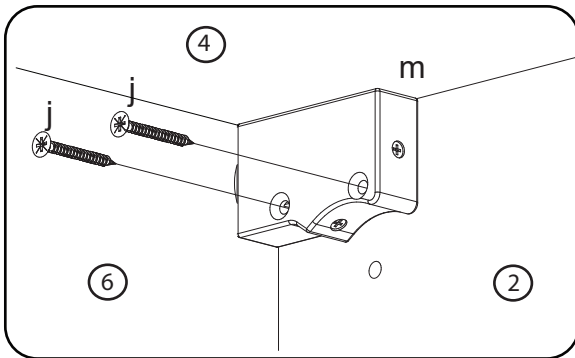
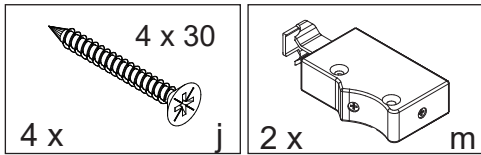
# 5



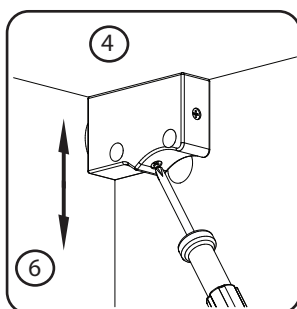
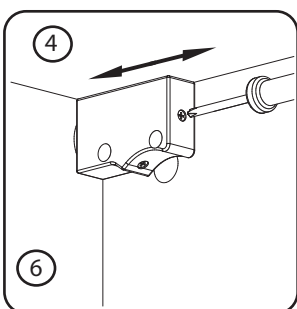
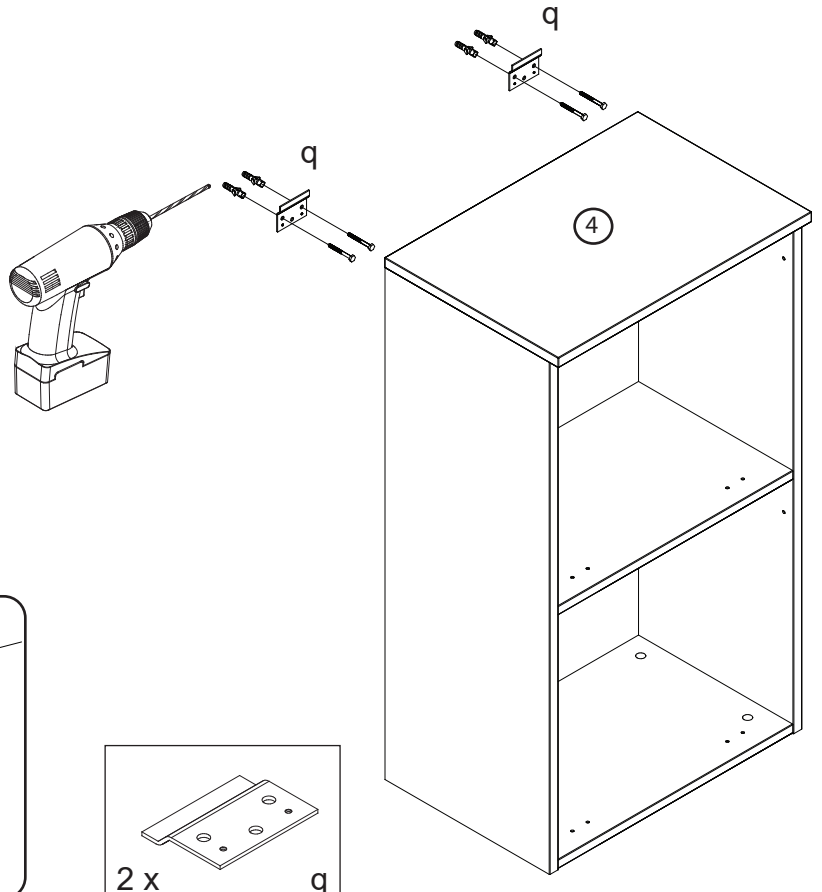
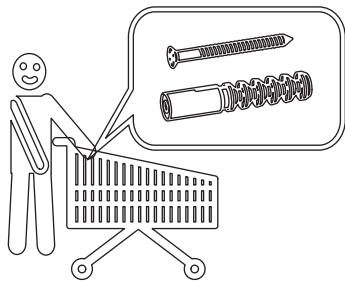
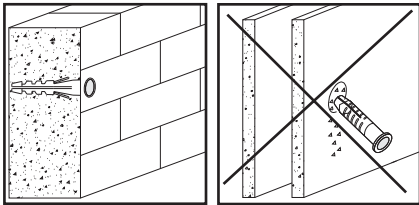
# 6



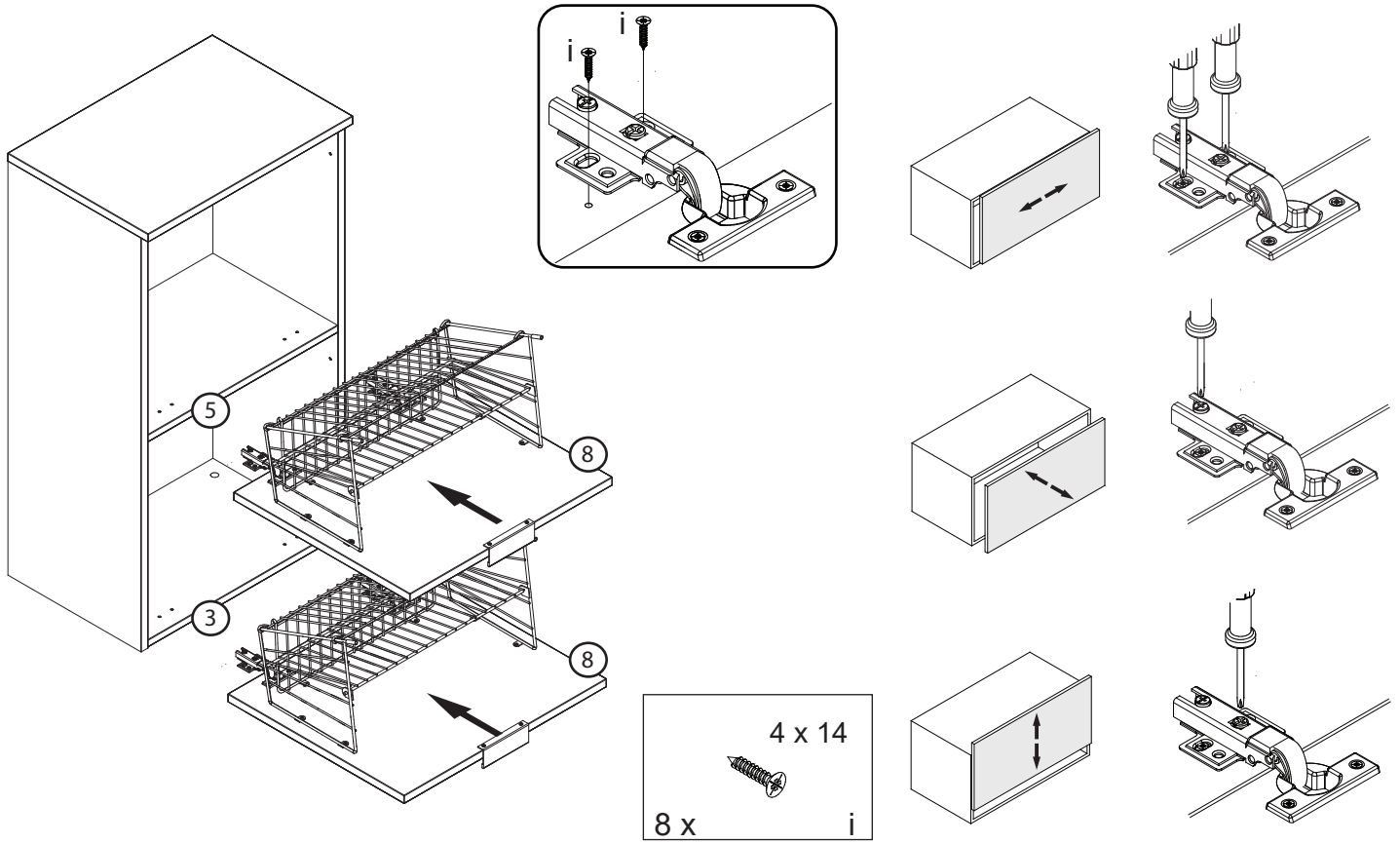
# 7



# 8



# 9



# 10

