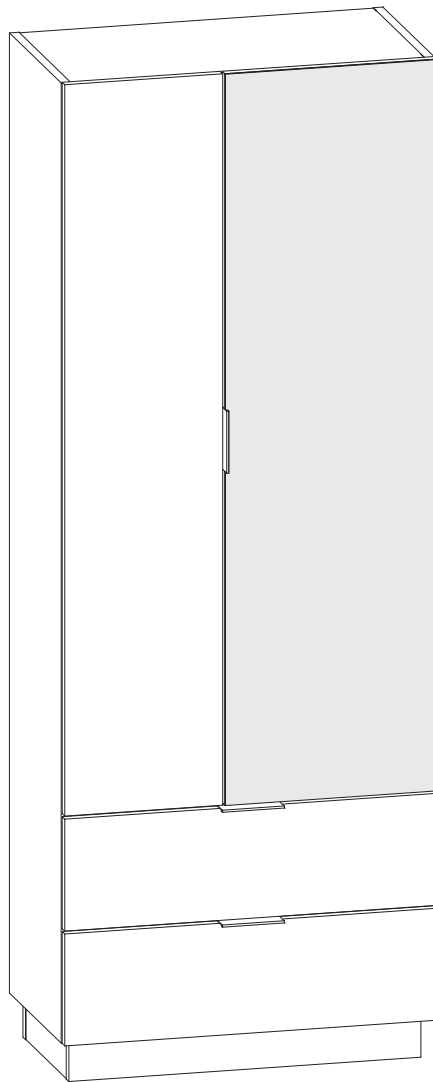
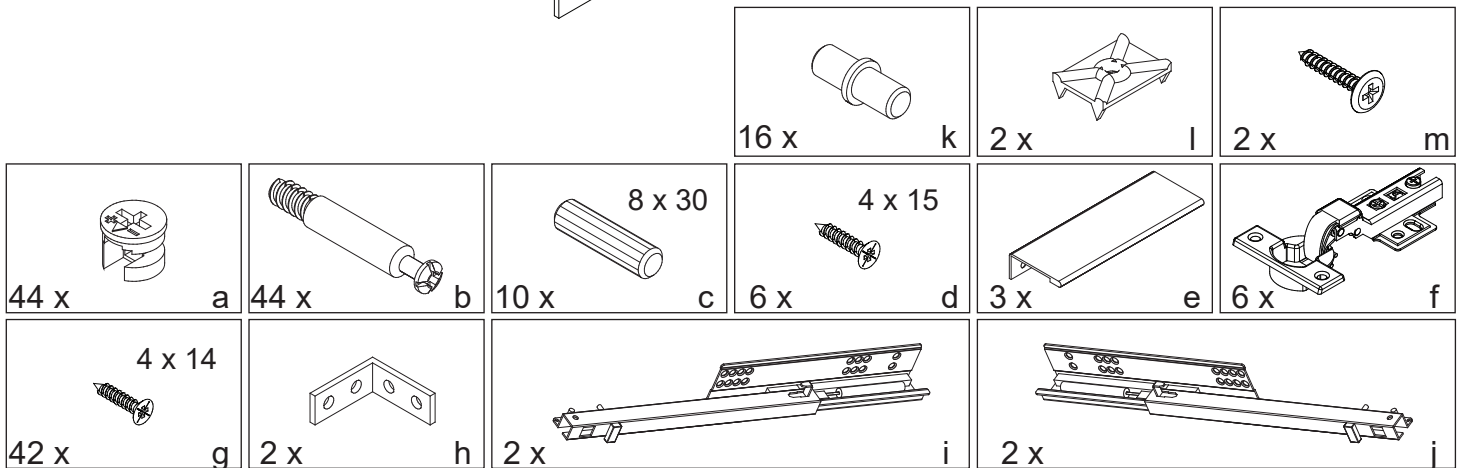
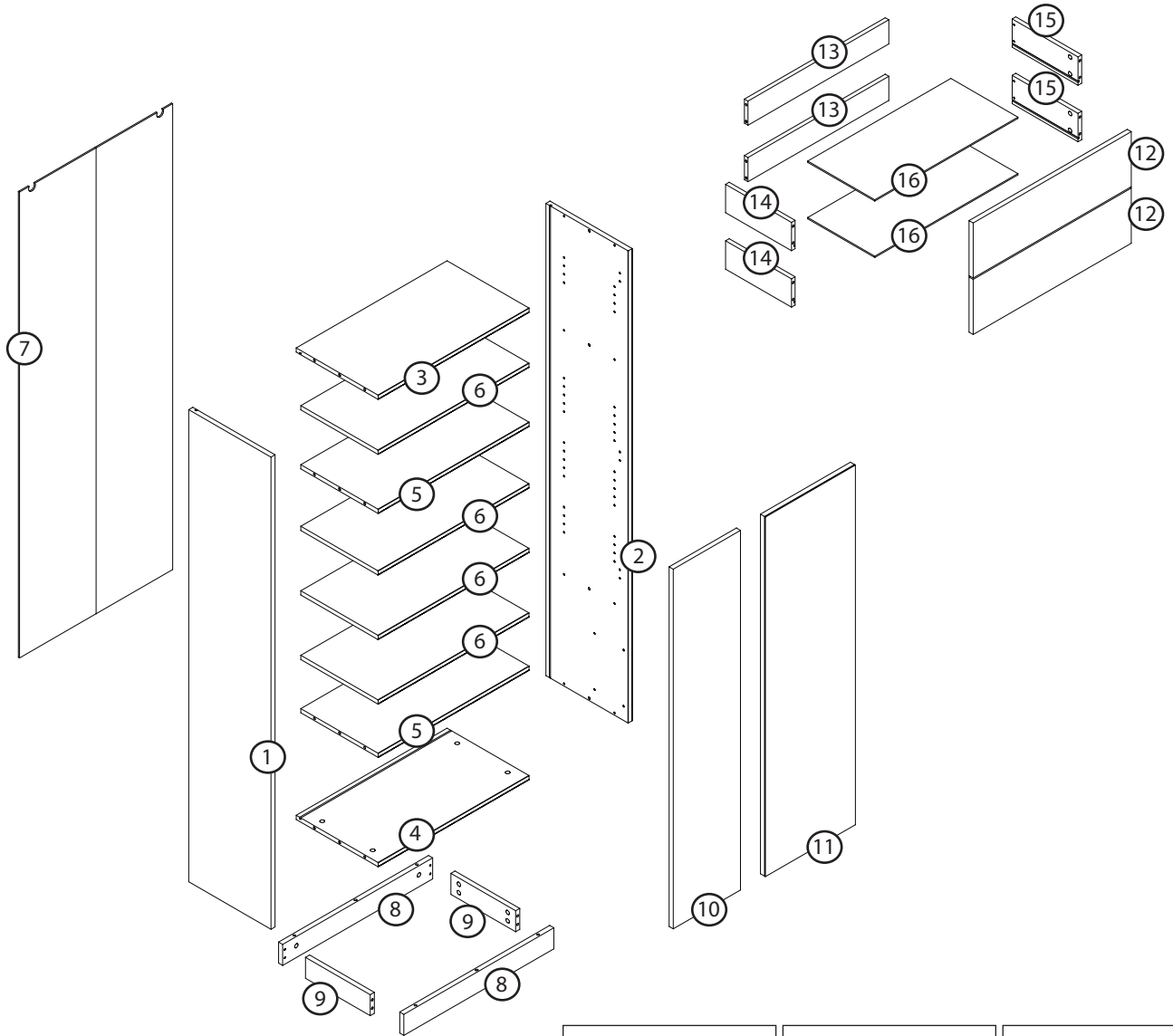
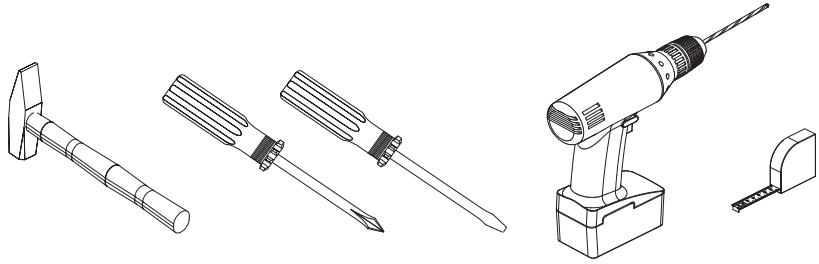
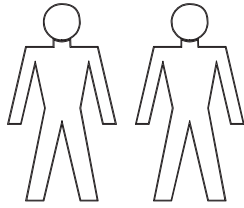
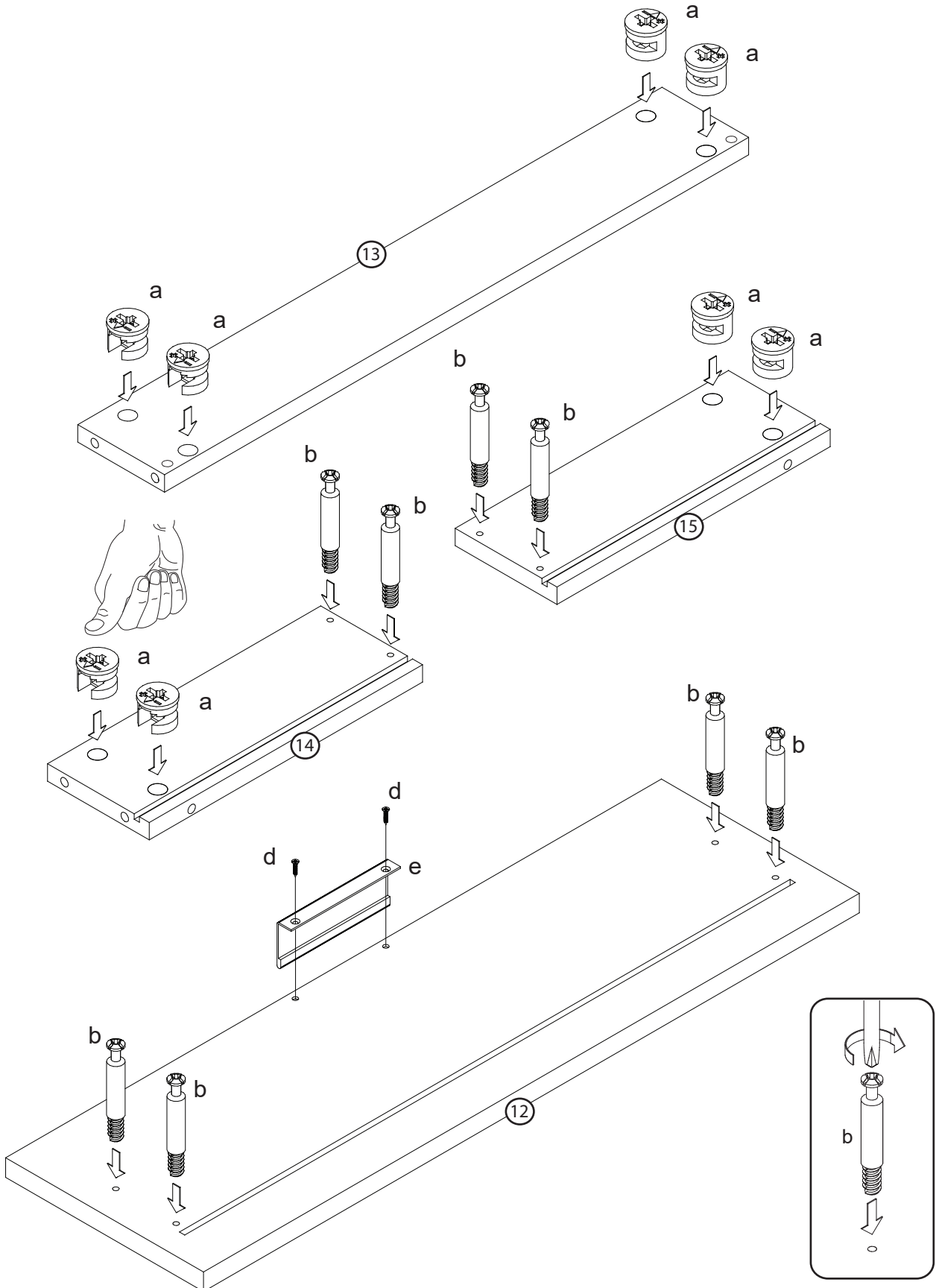
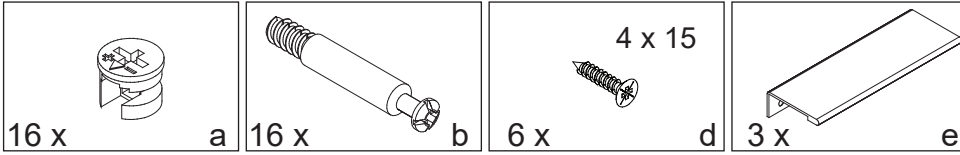


N 1025

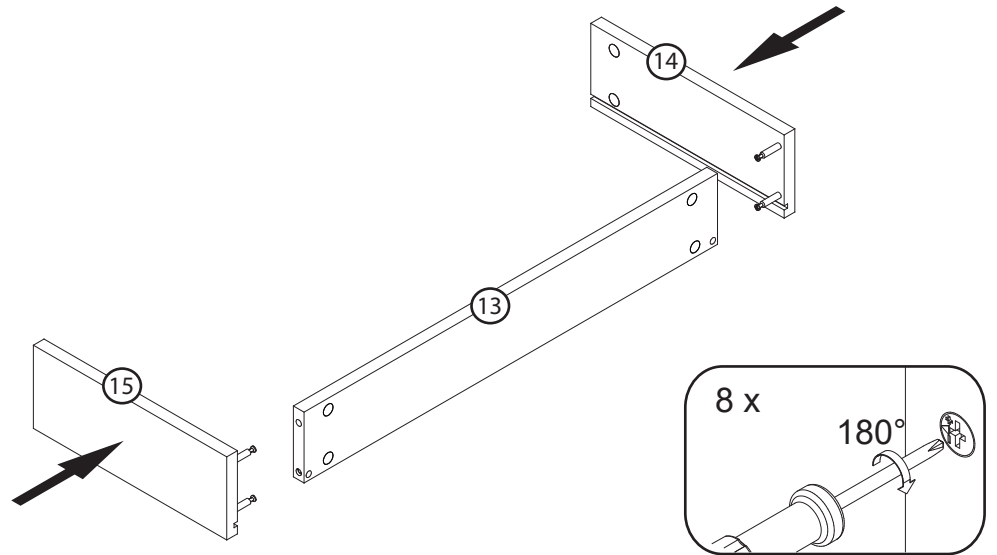




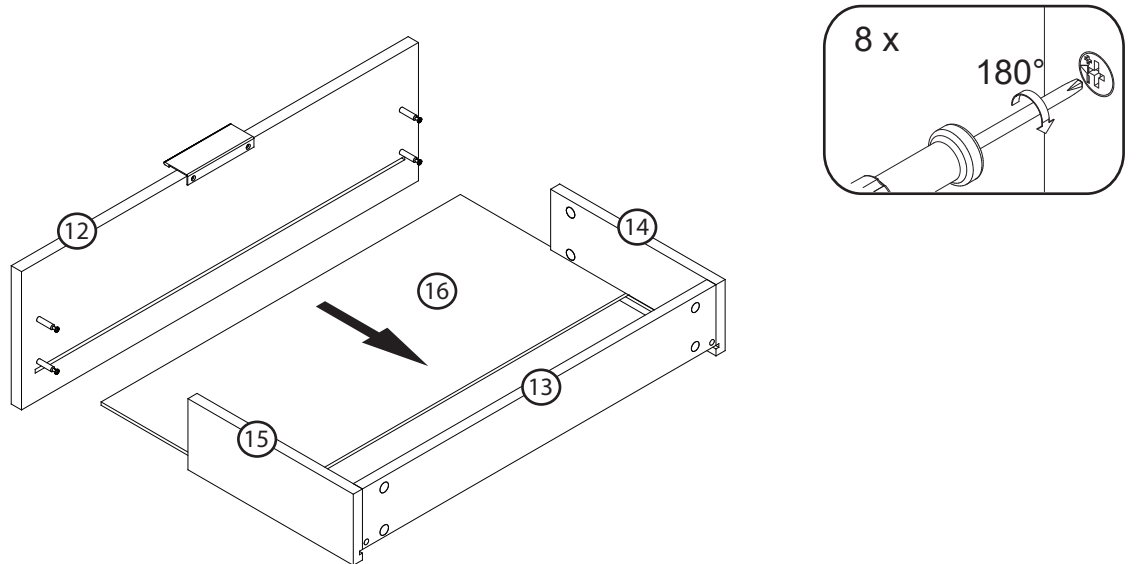
1 2x



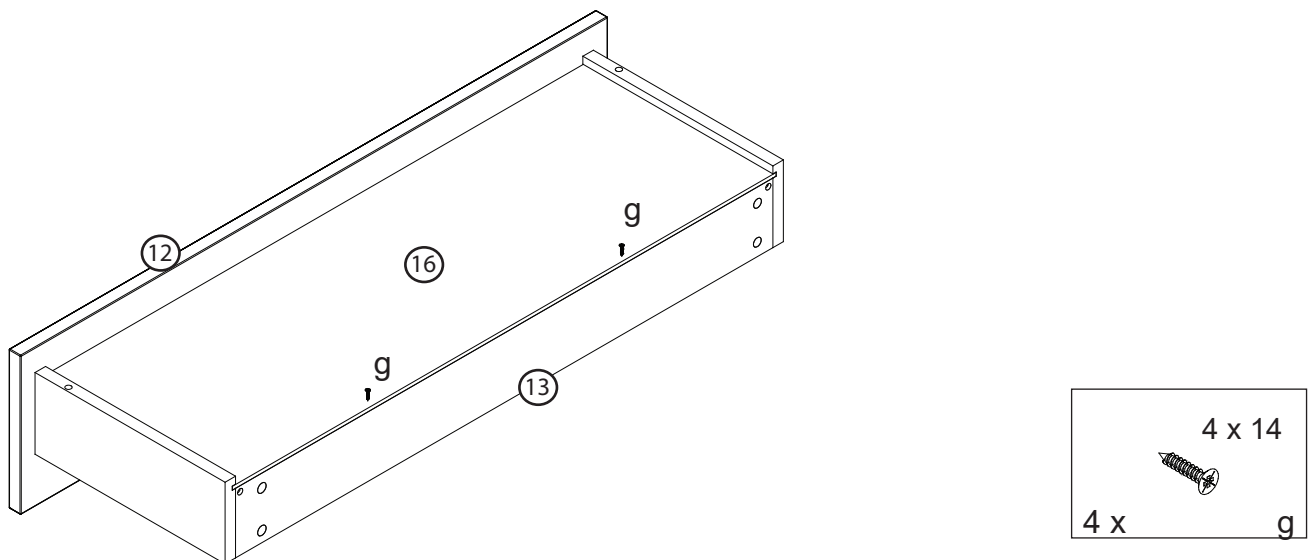
2 2 x



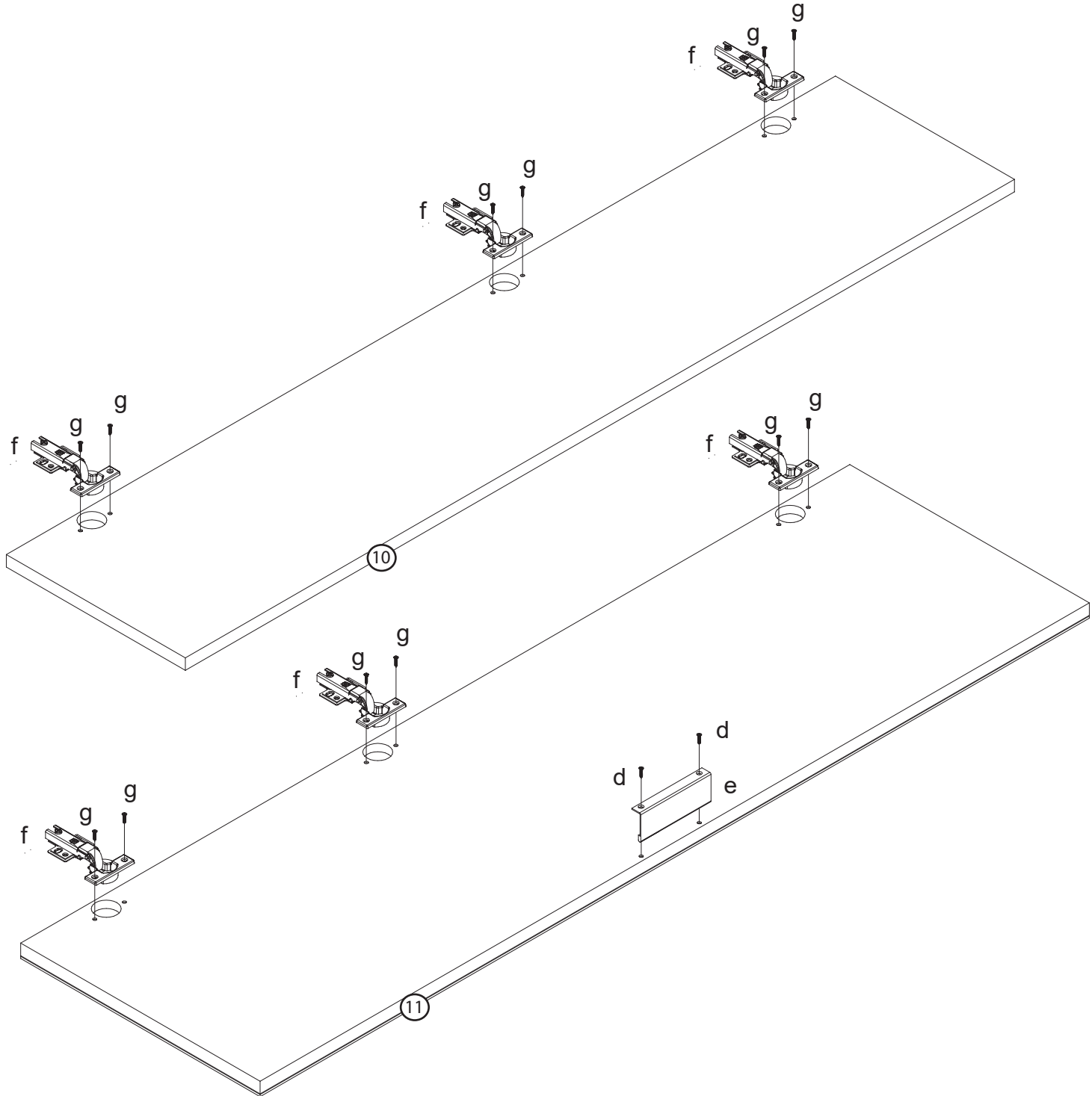
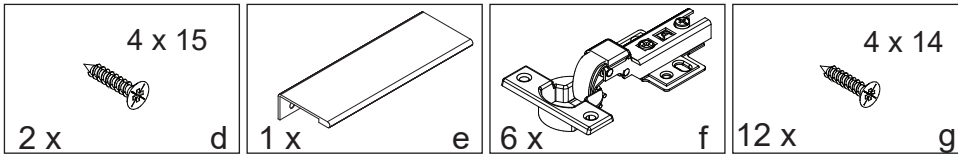
3 2 x



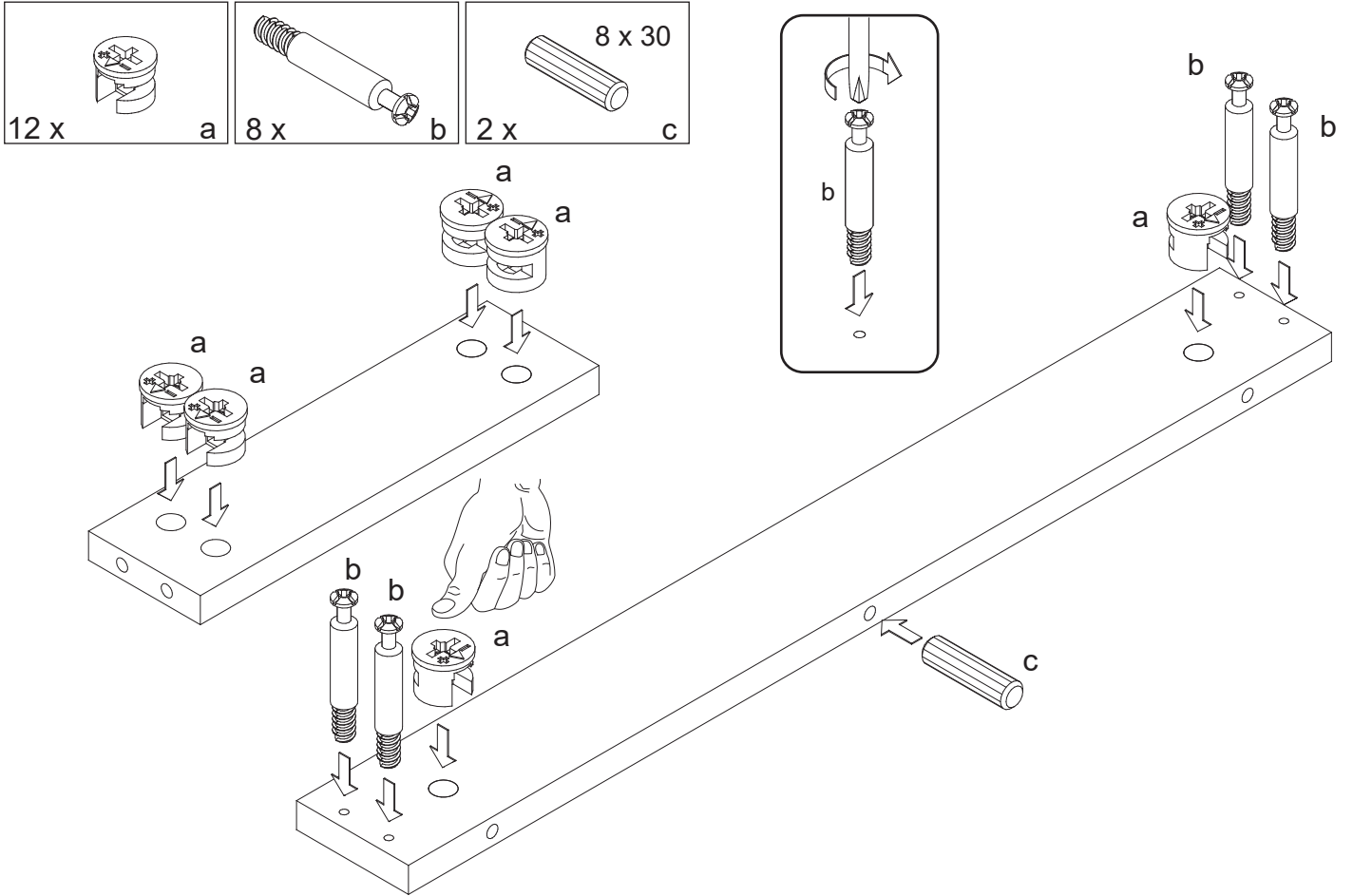
4 2 x



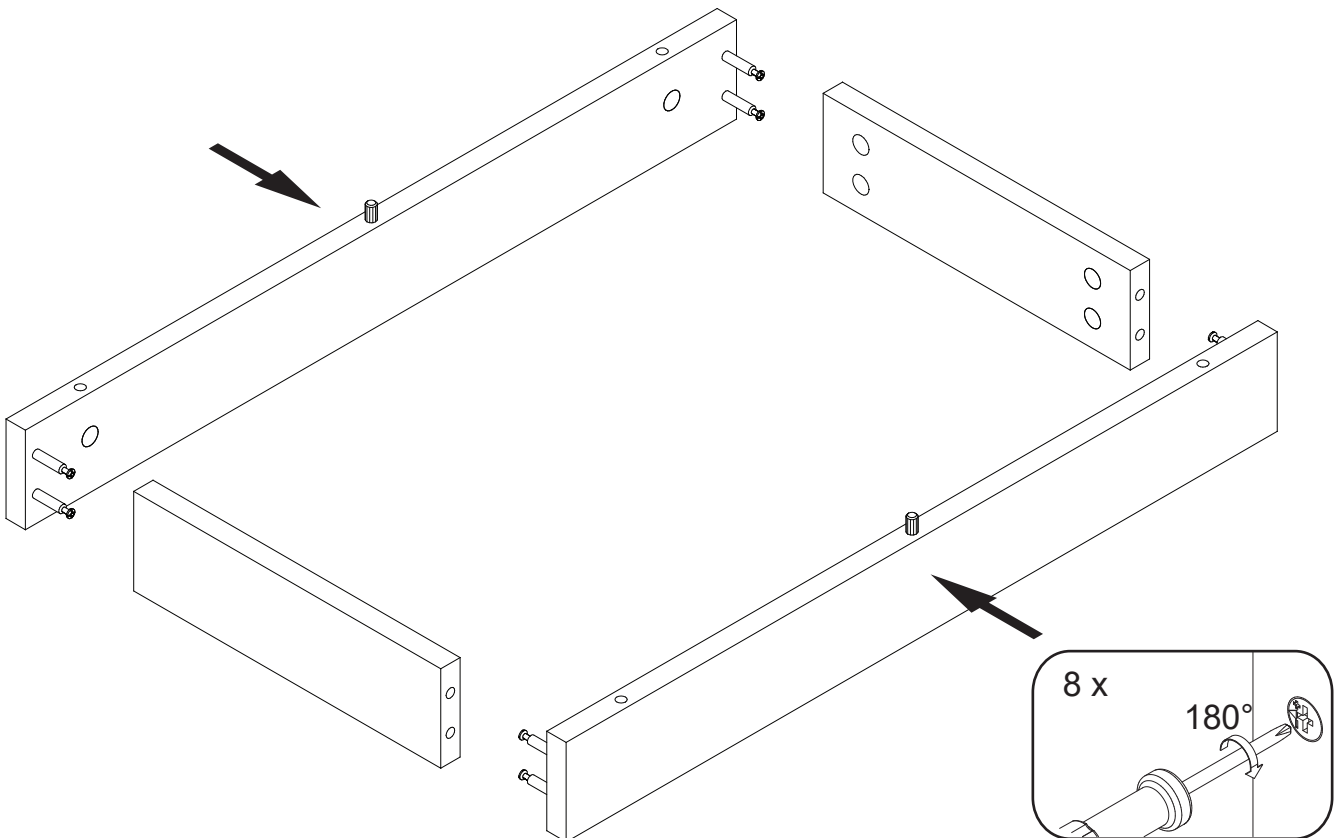
5

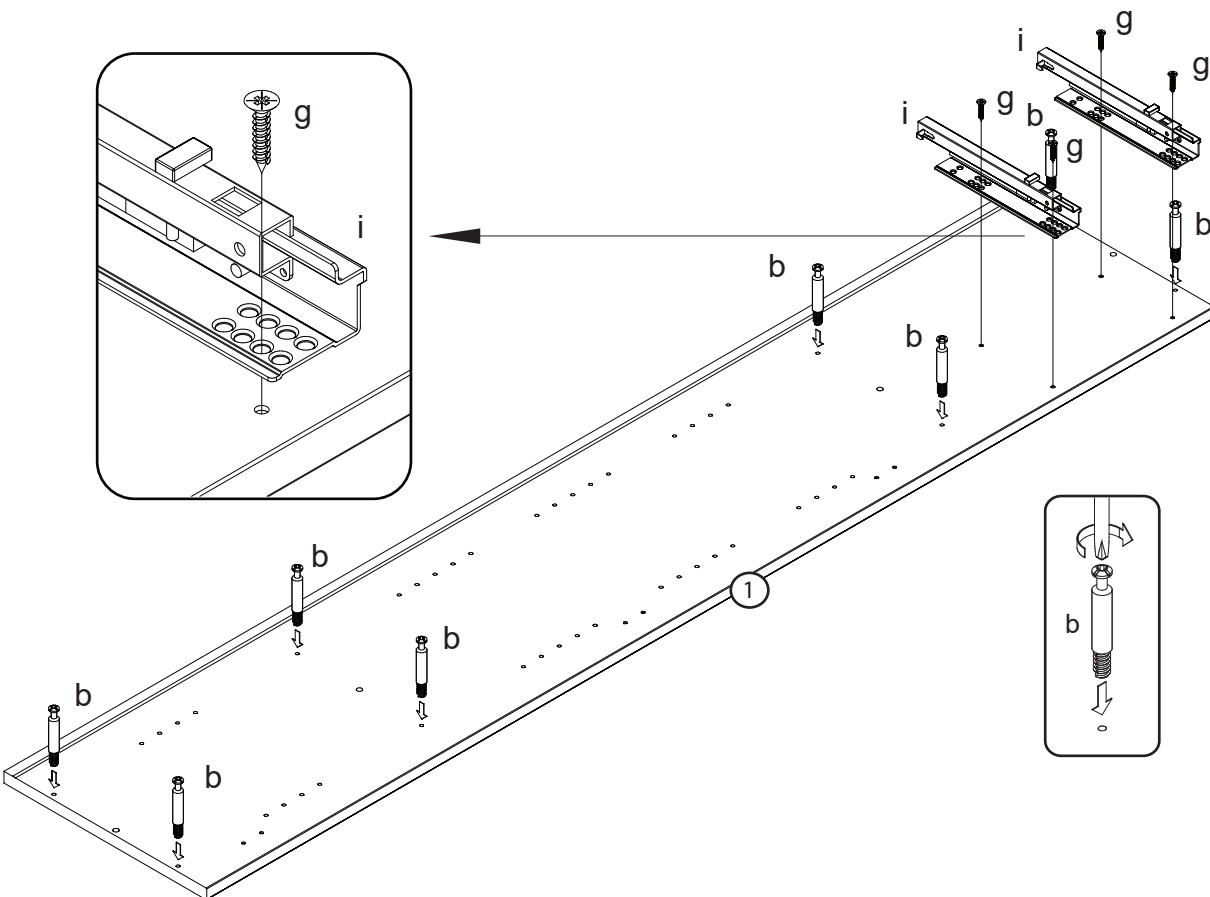
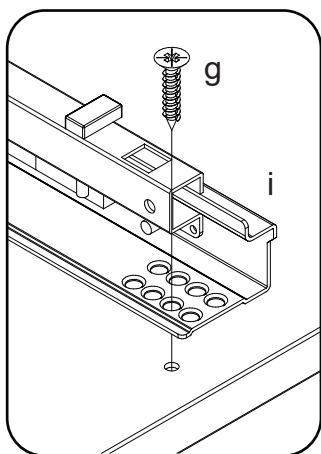
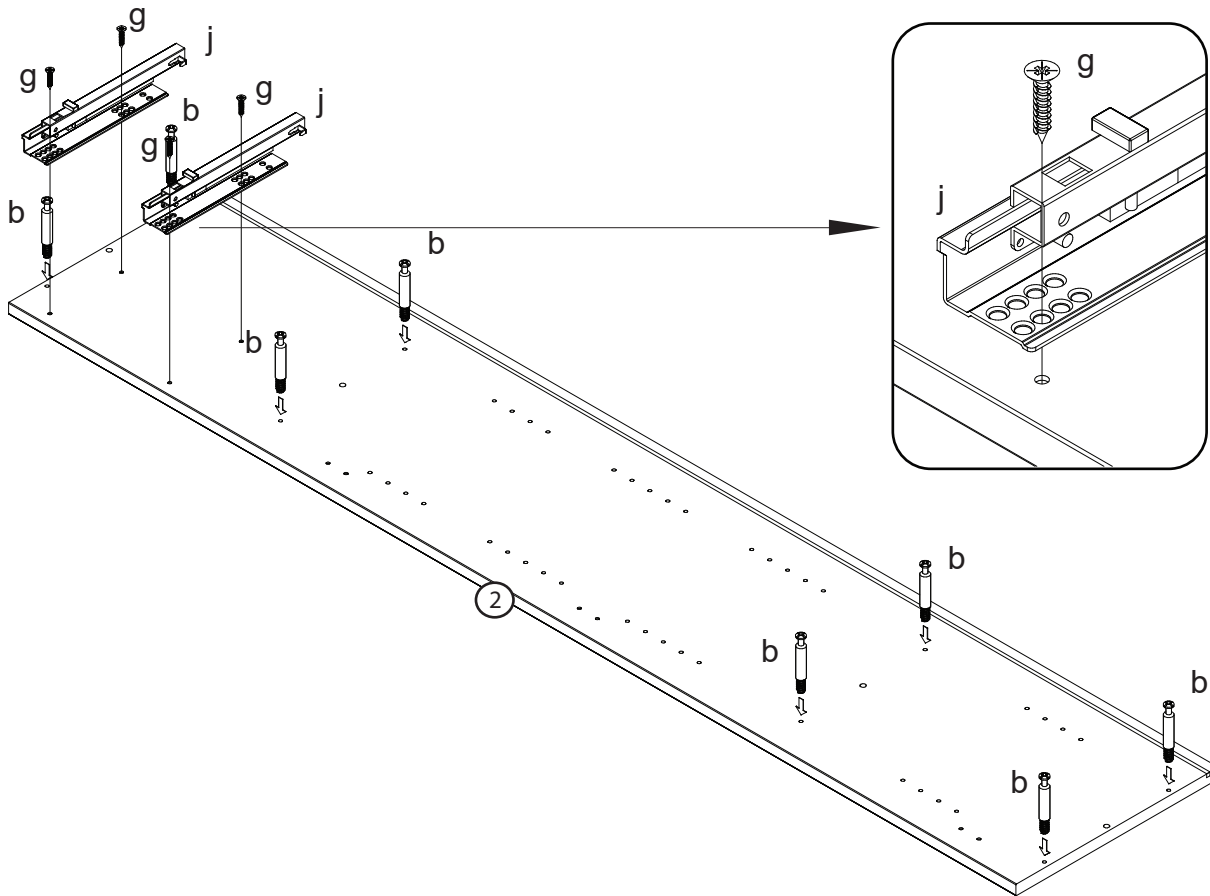
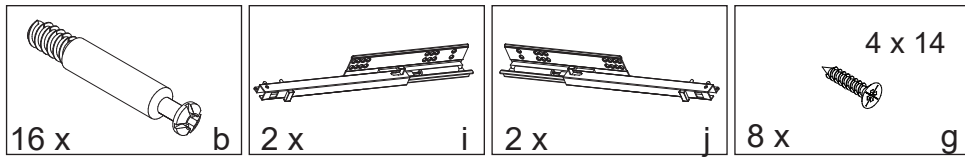


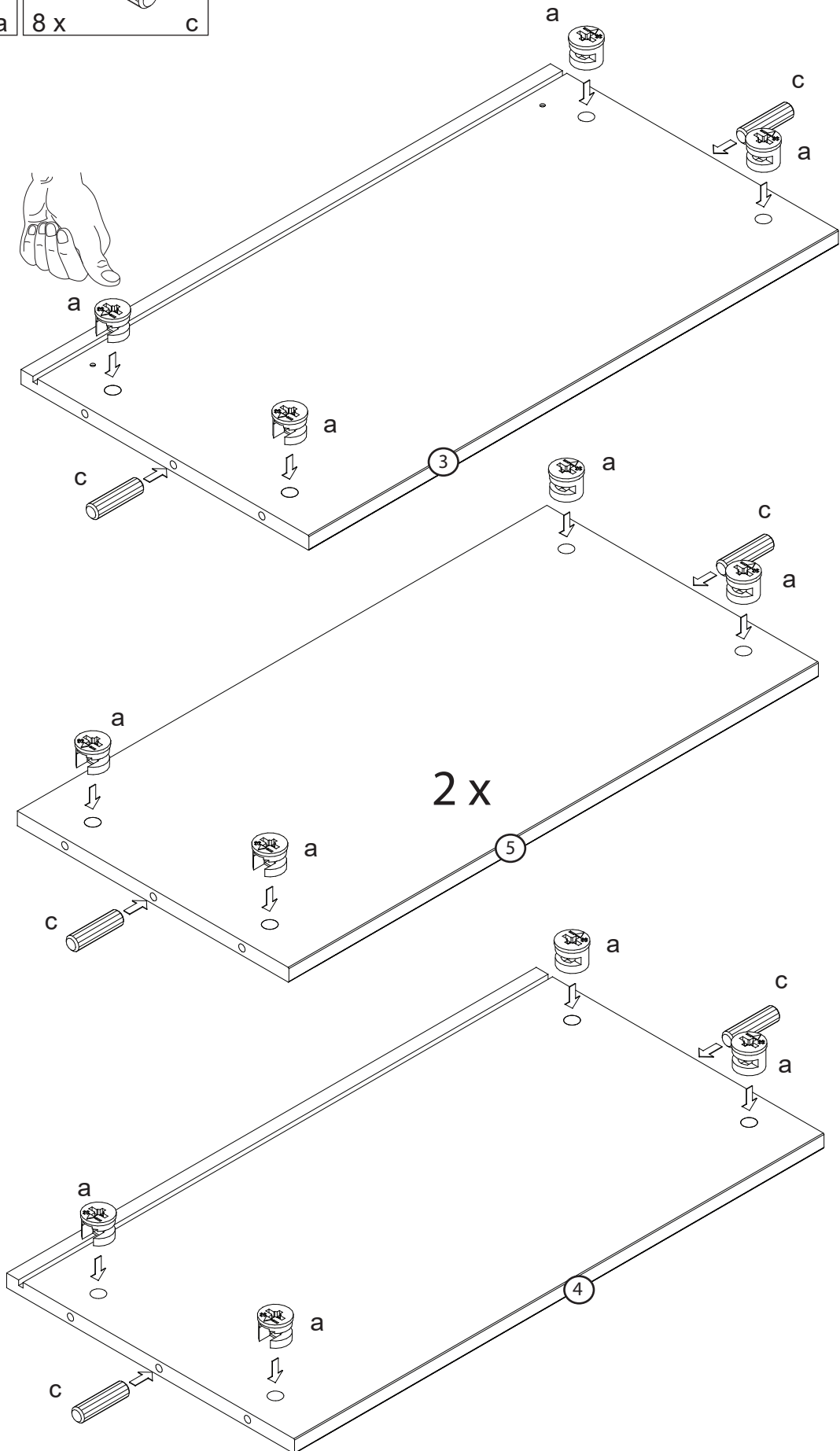
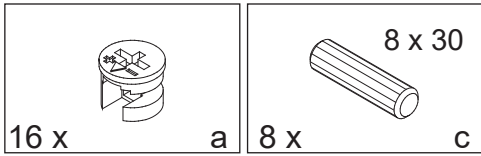
6 2 x



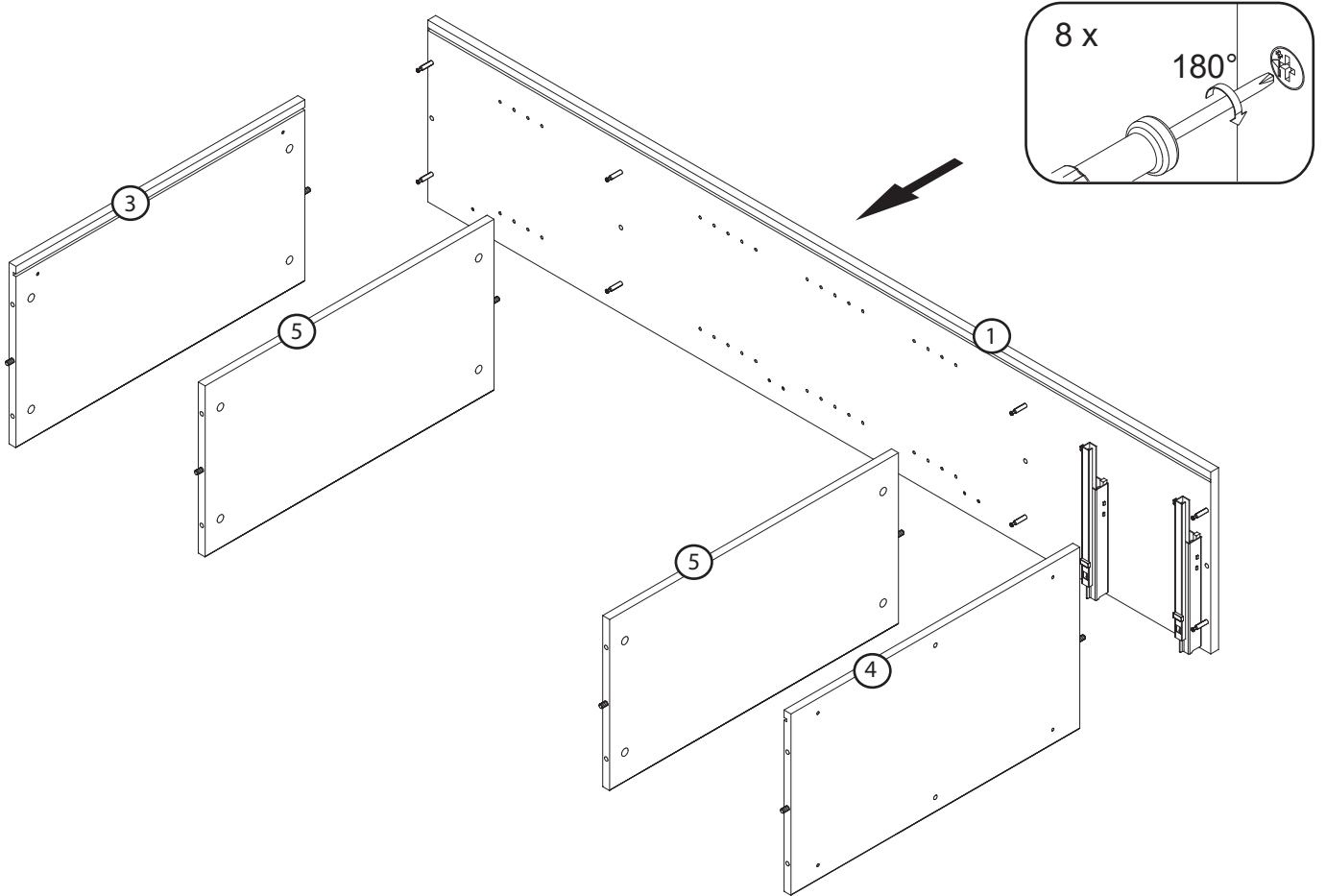
7



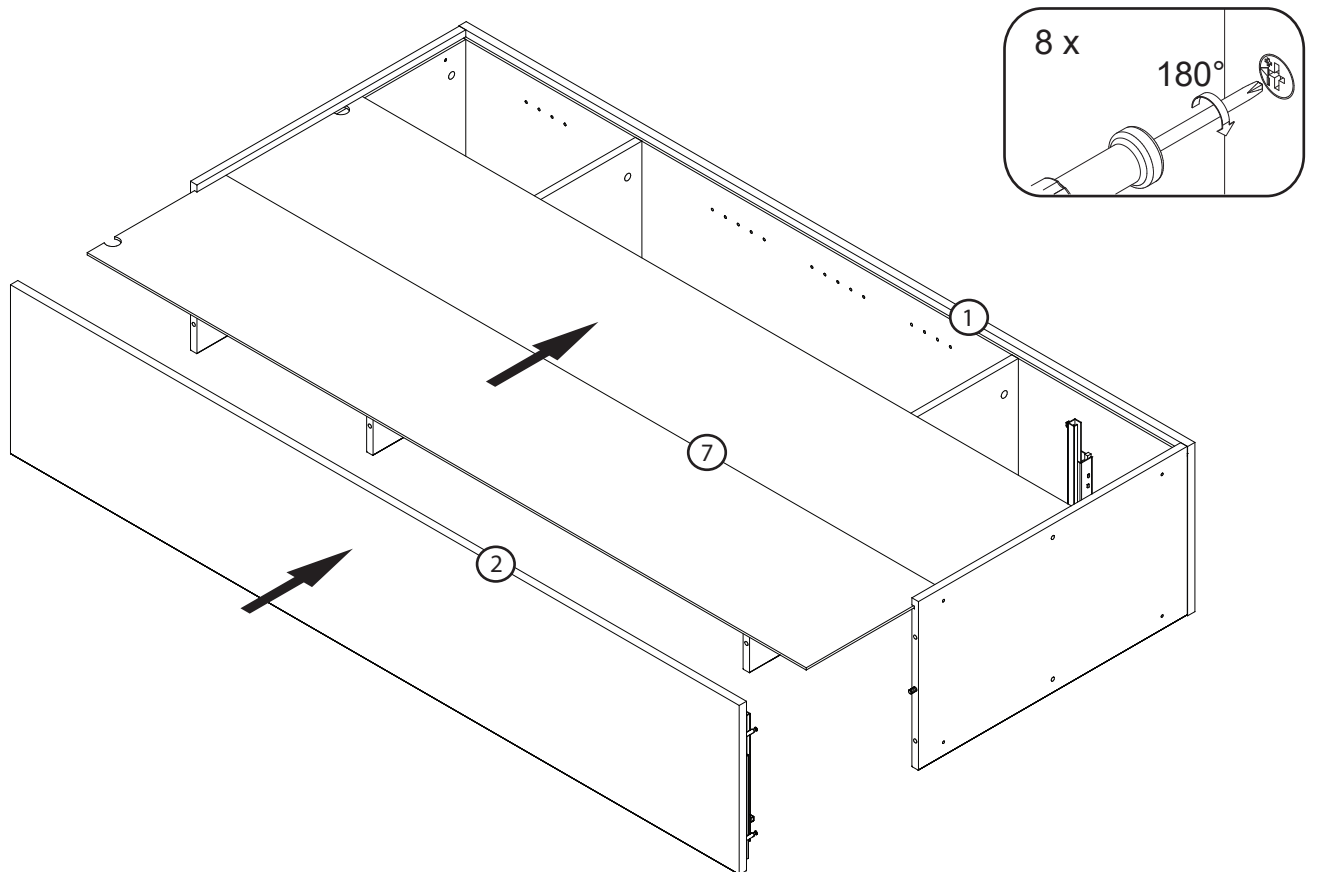




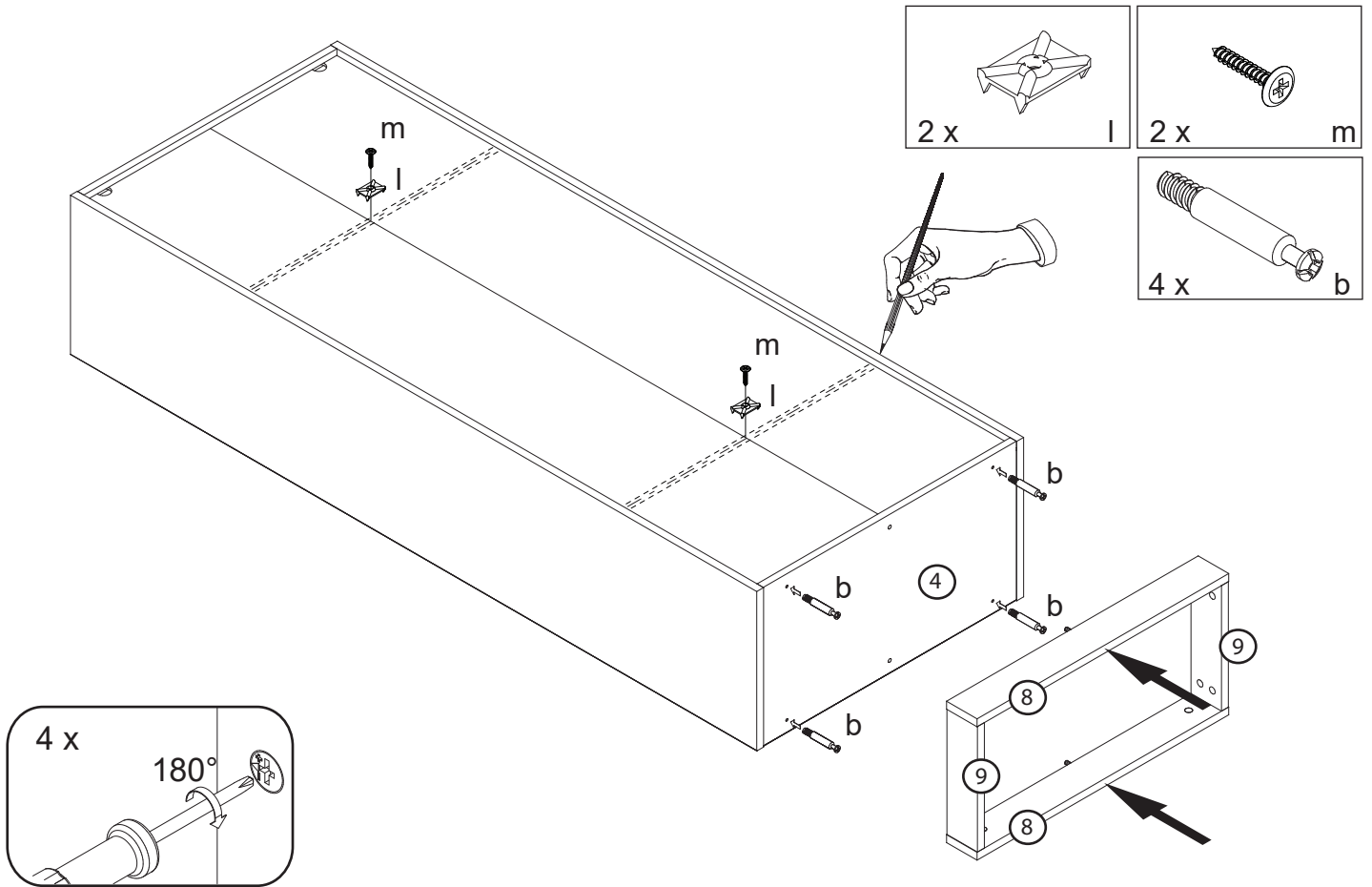
10



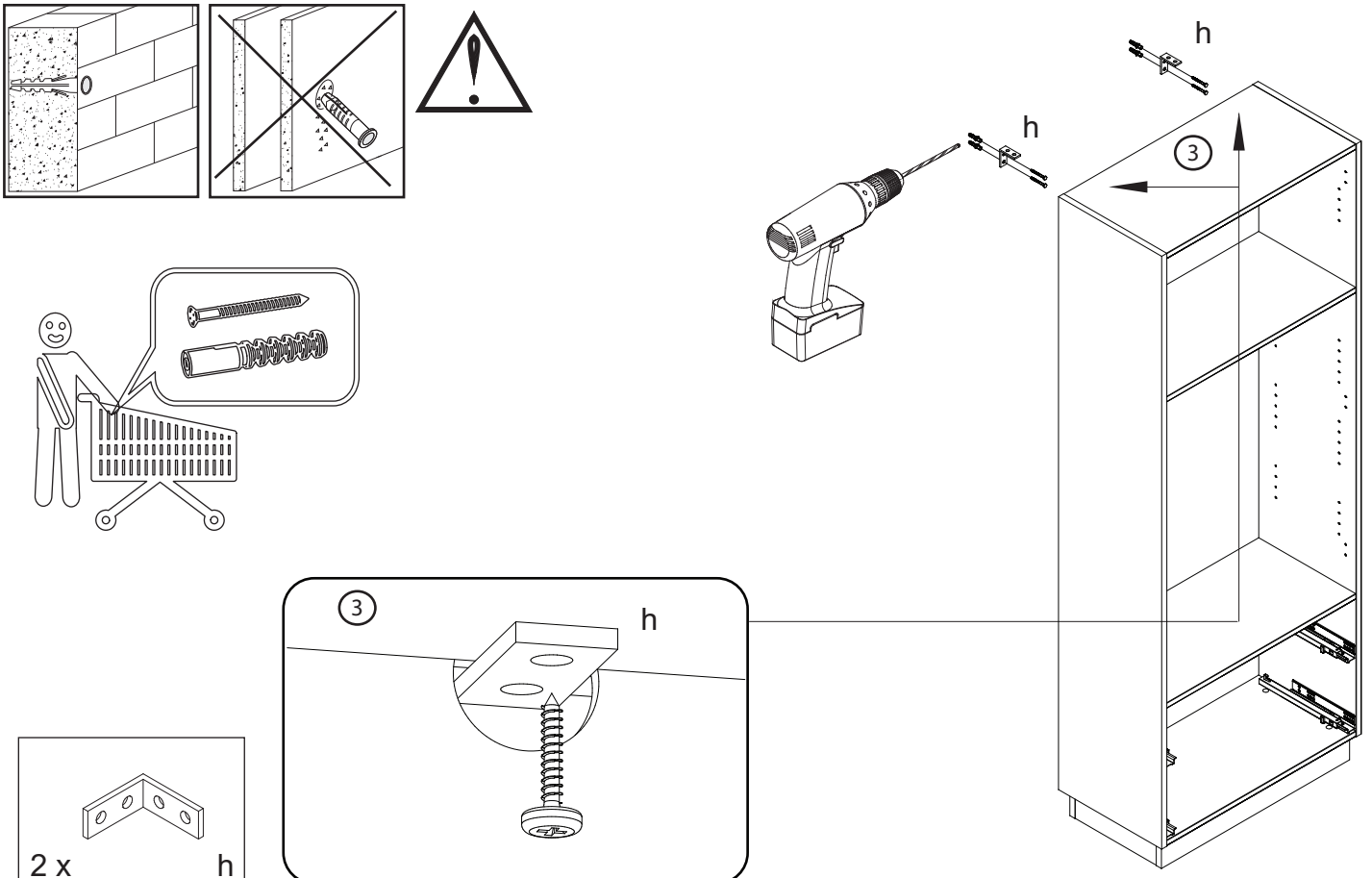
11



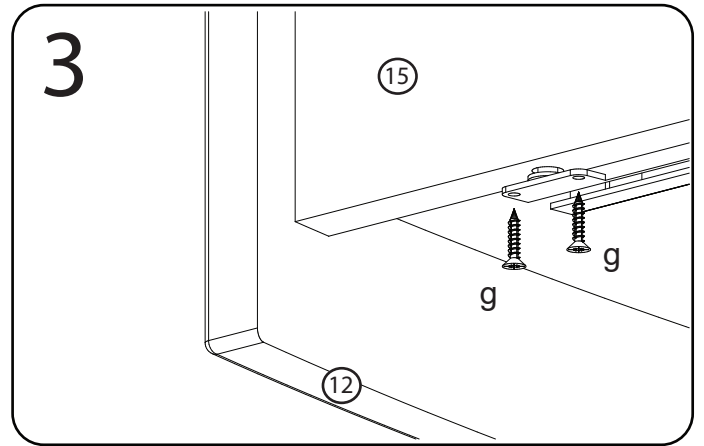
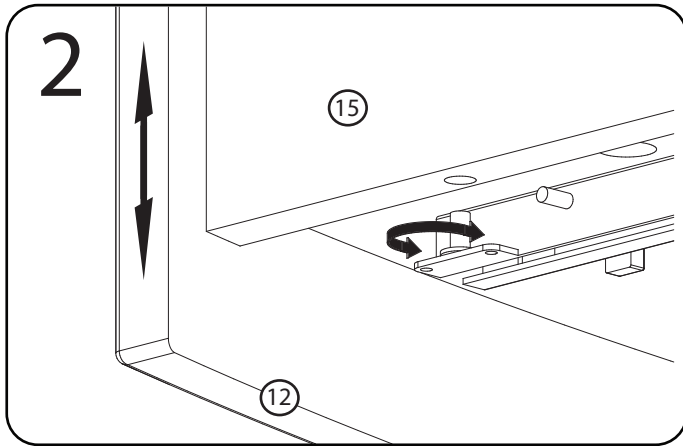
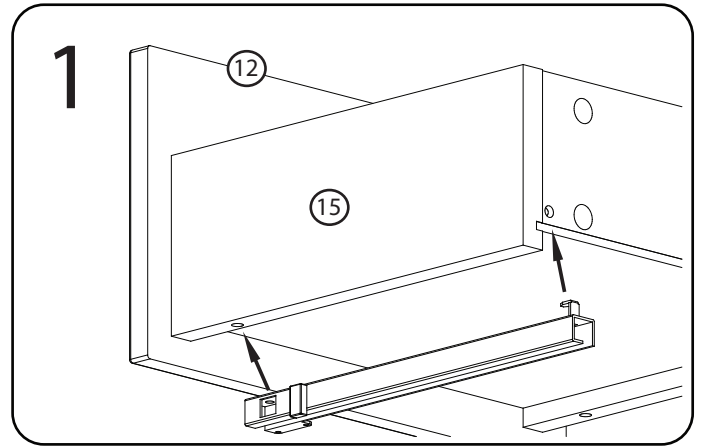
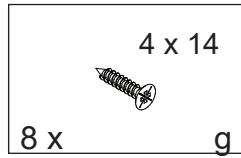
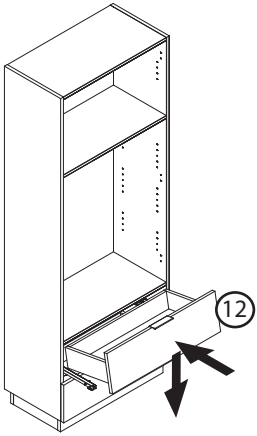
12



13



14



15

