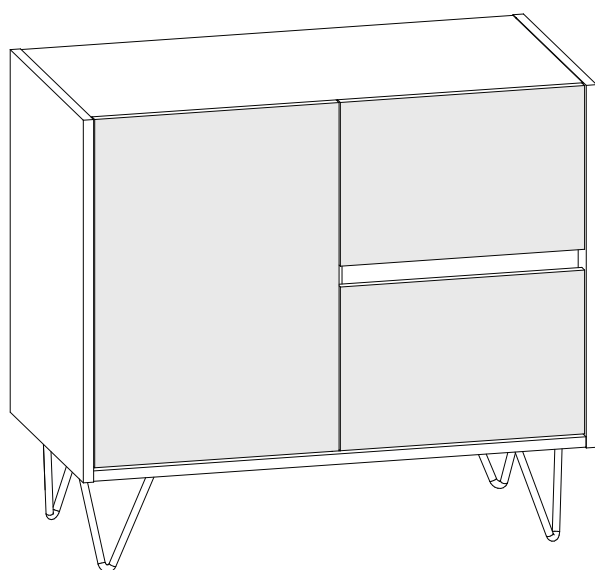
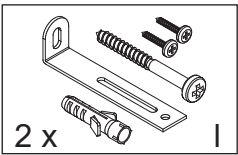
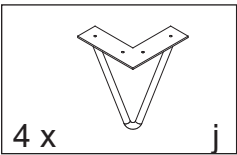
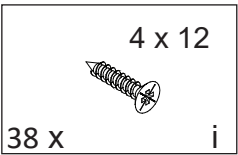
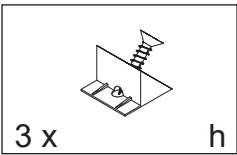
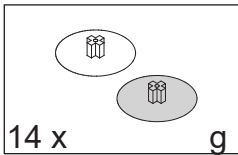
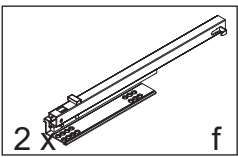
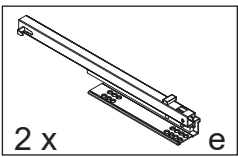
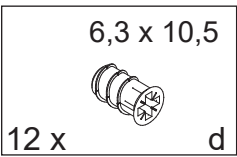
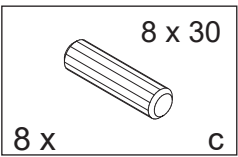
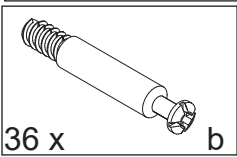
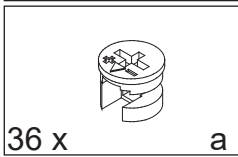
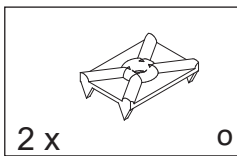
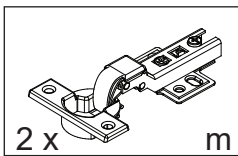
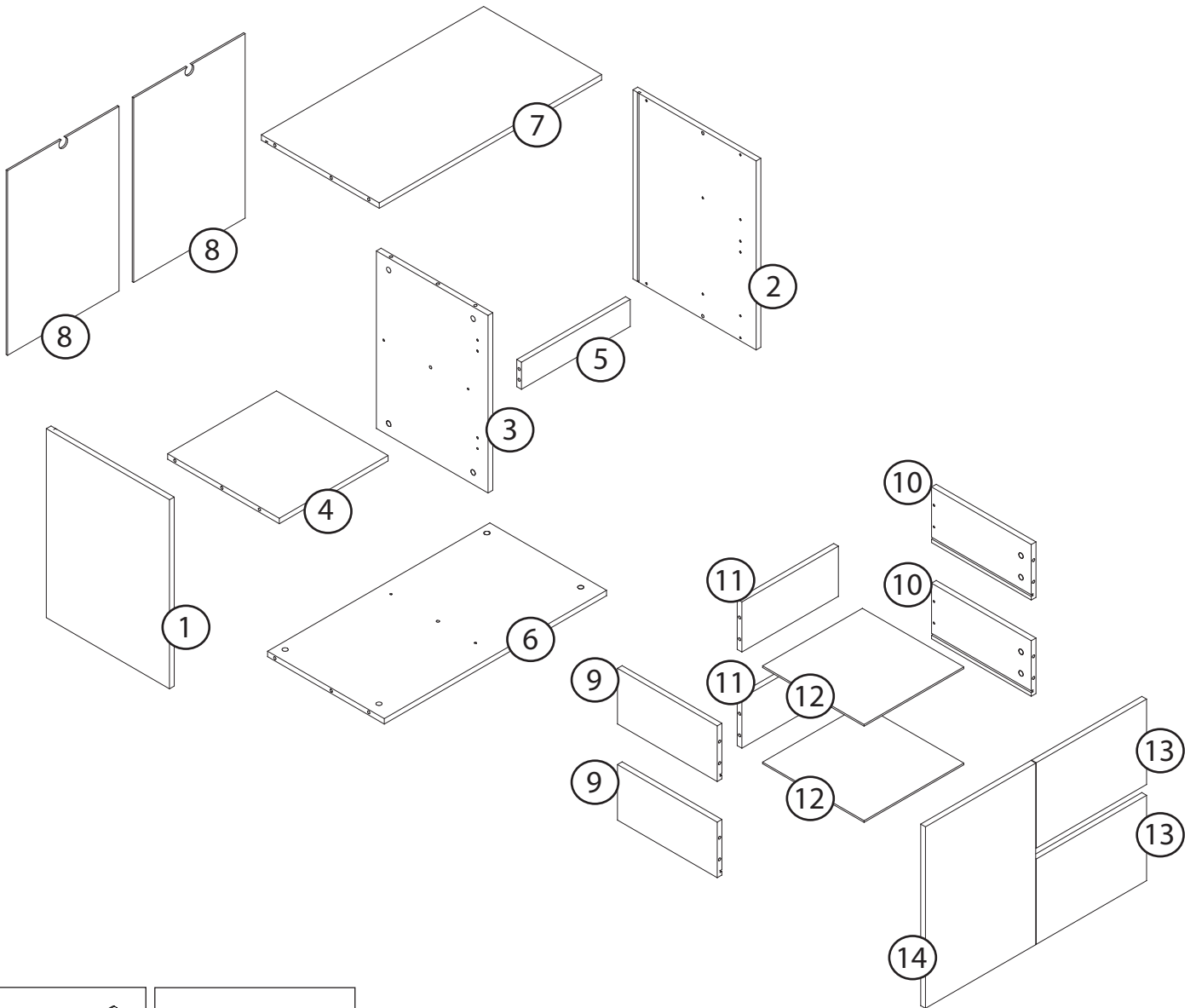
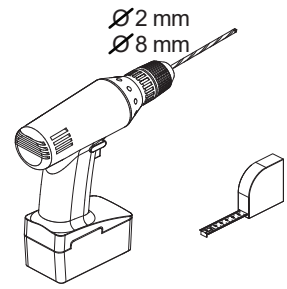
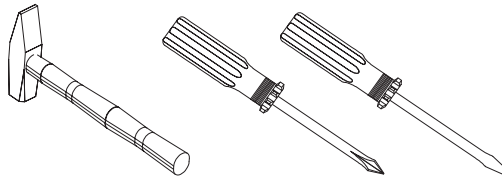
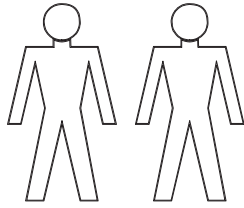
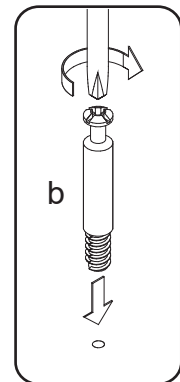
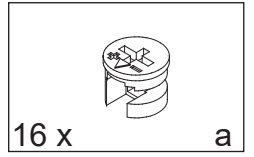
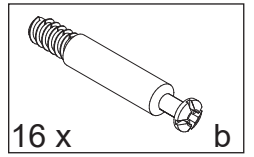
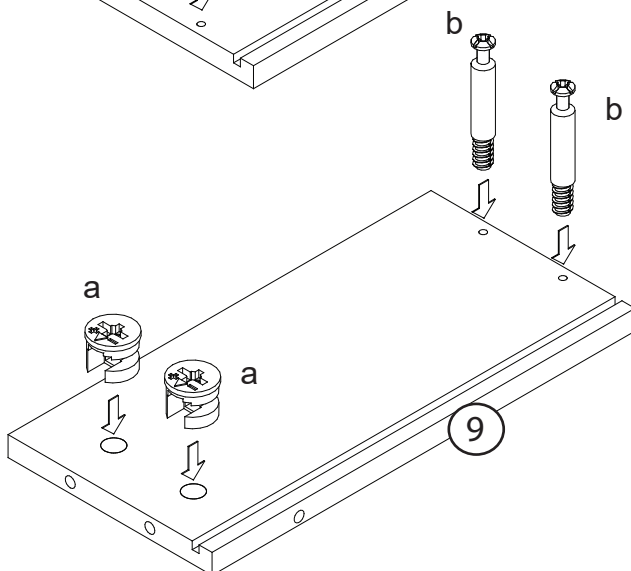
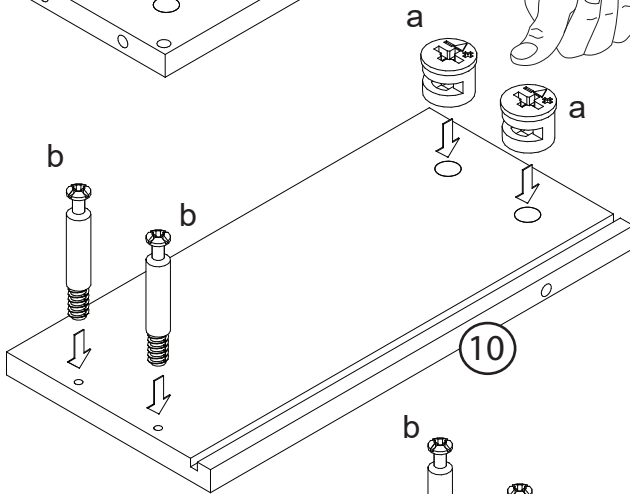
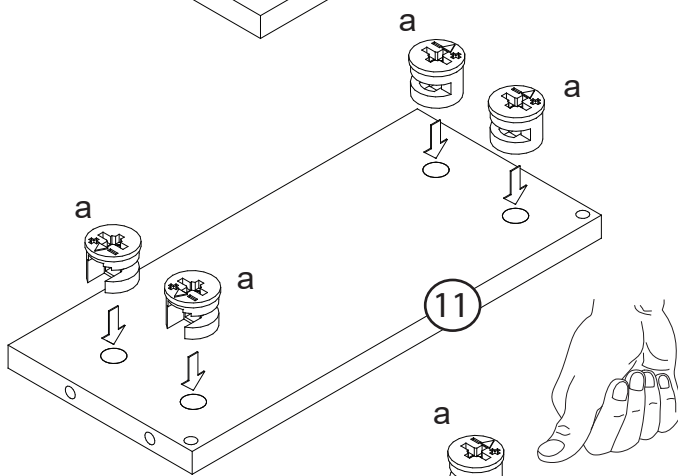
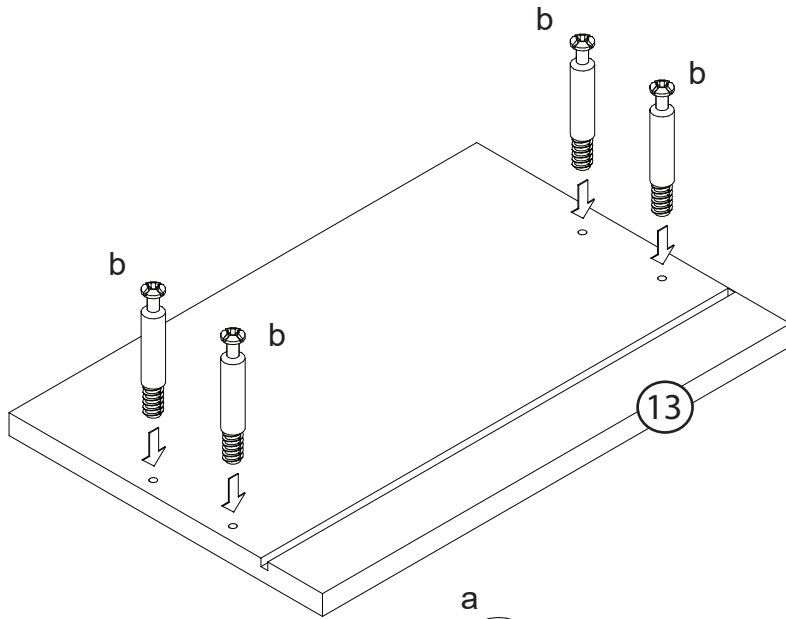


N2090/N2092

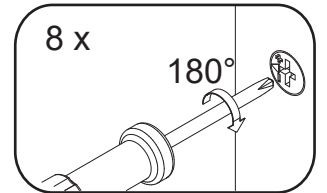
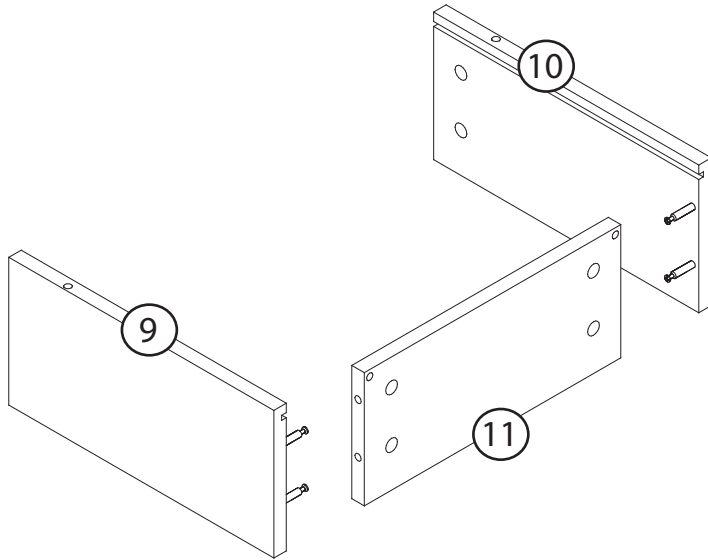




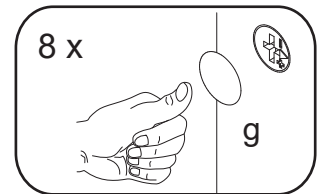
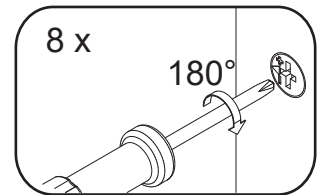
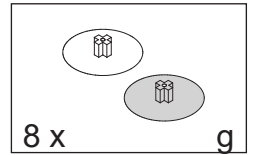
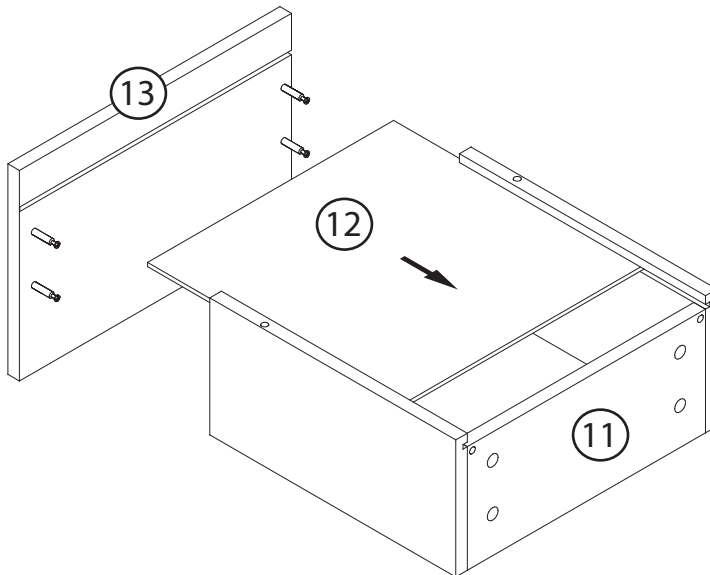
1 2 x



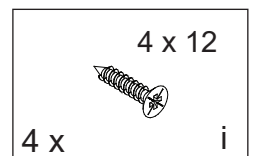
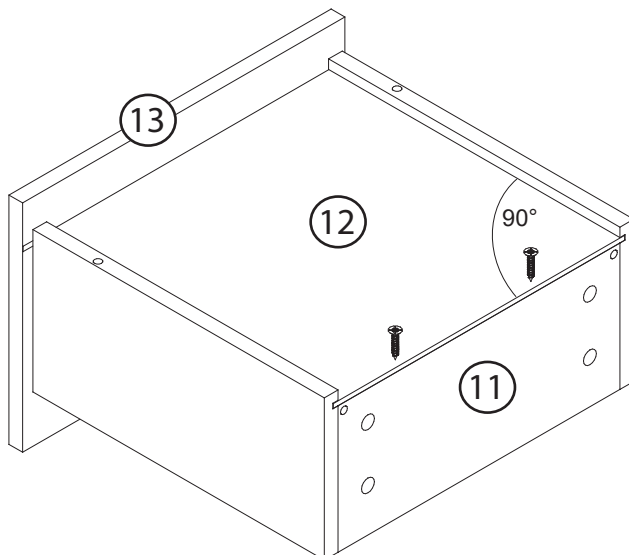
2 2 x



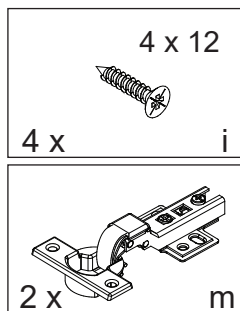
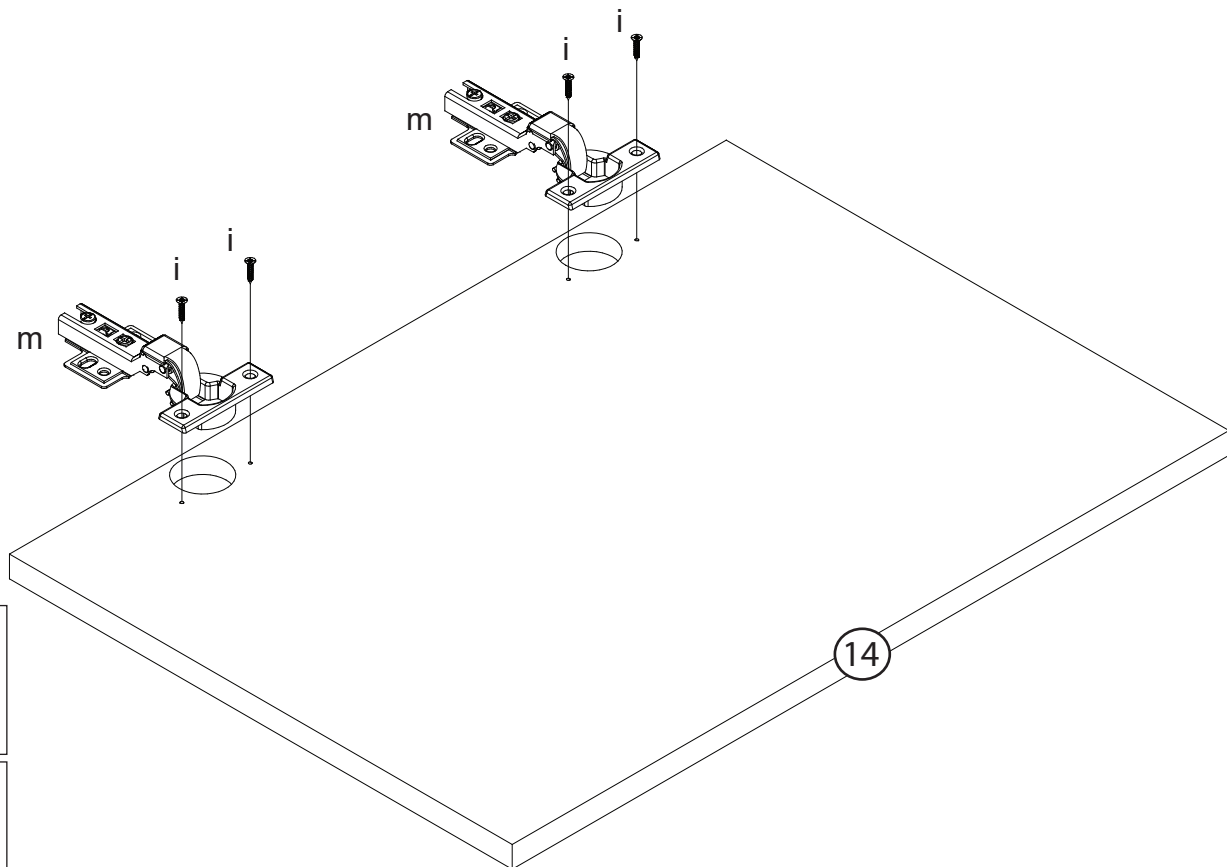
3 2 x



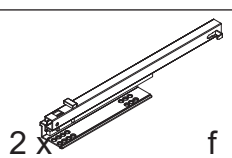
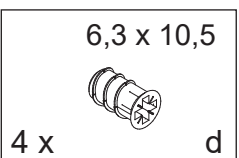
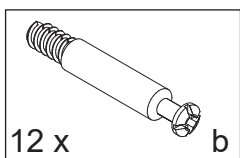
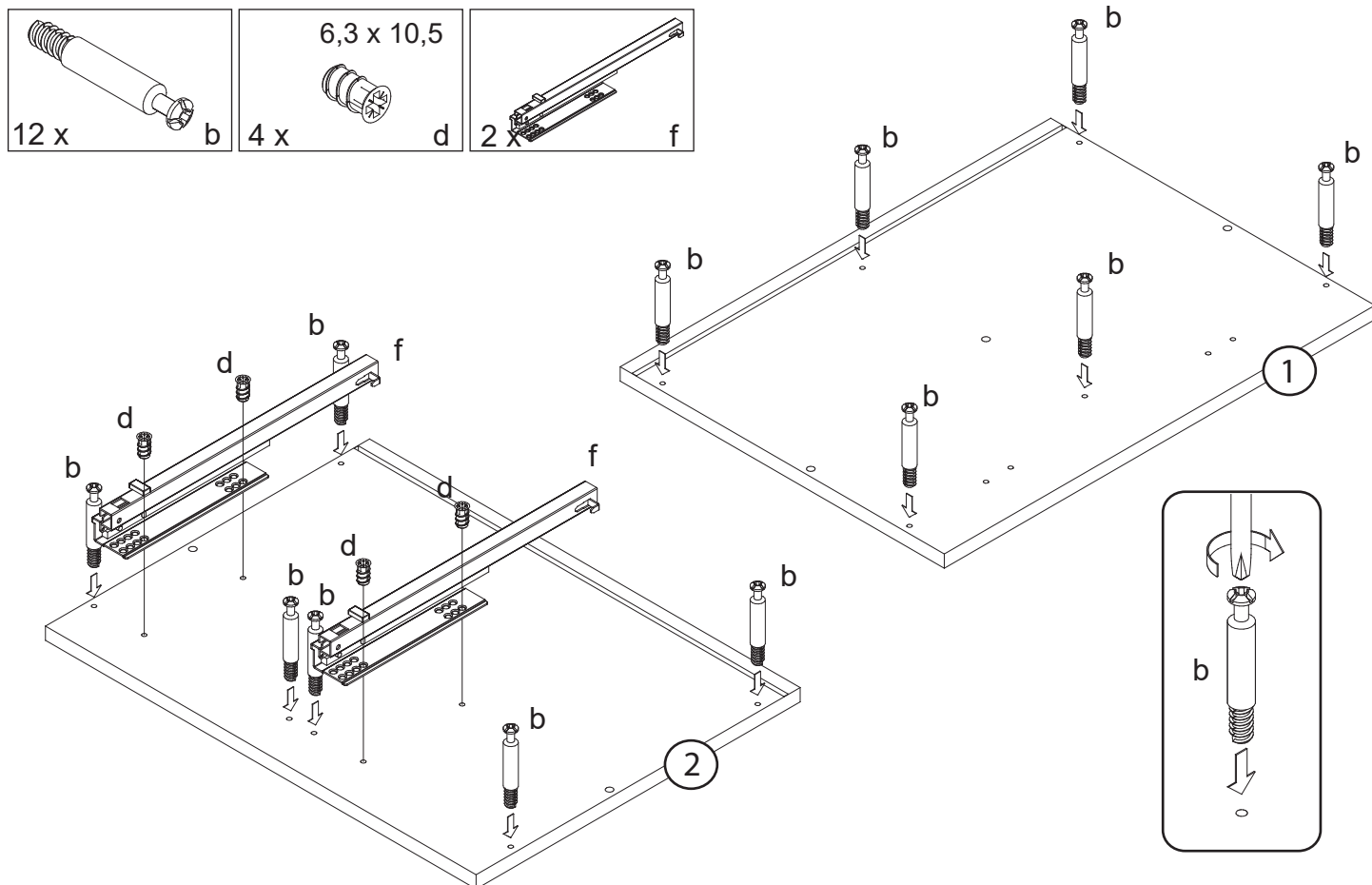
4 2 x

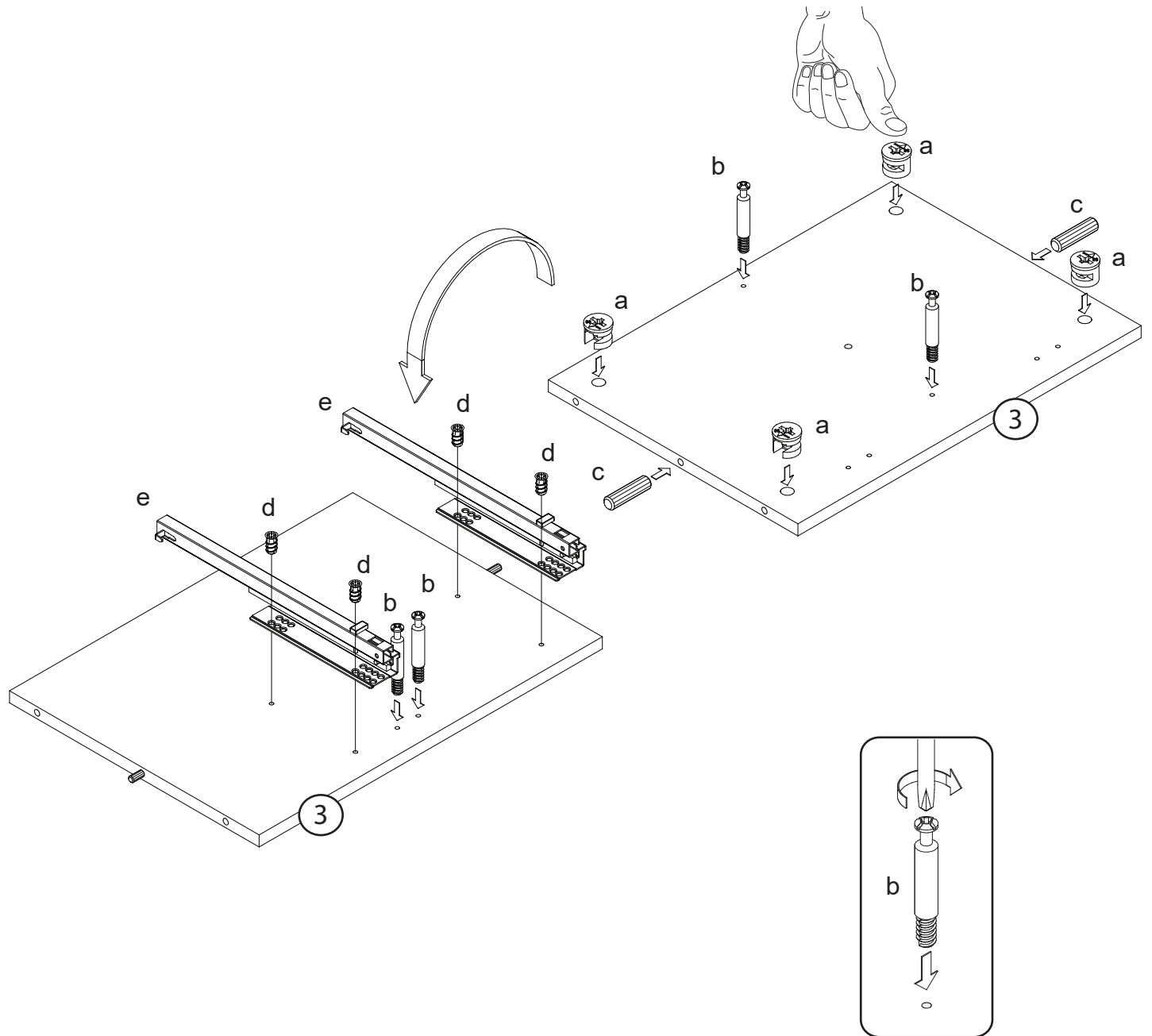
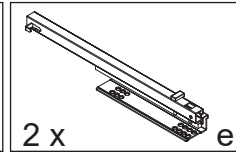
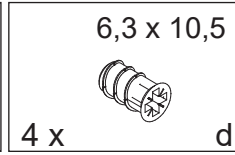
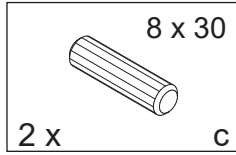
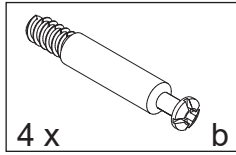
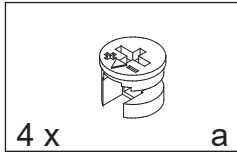


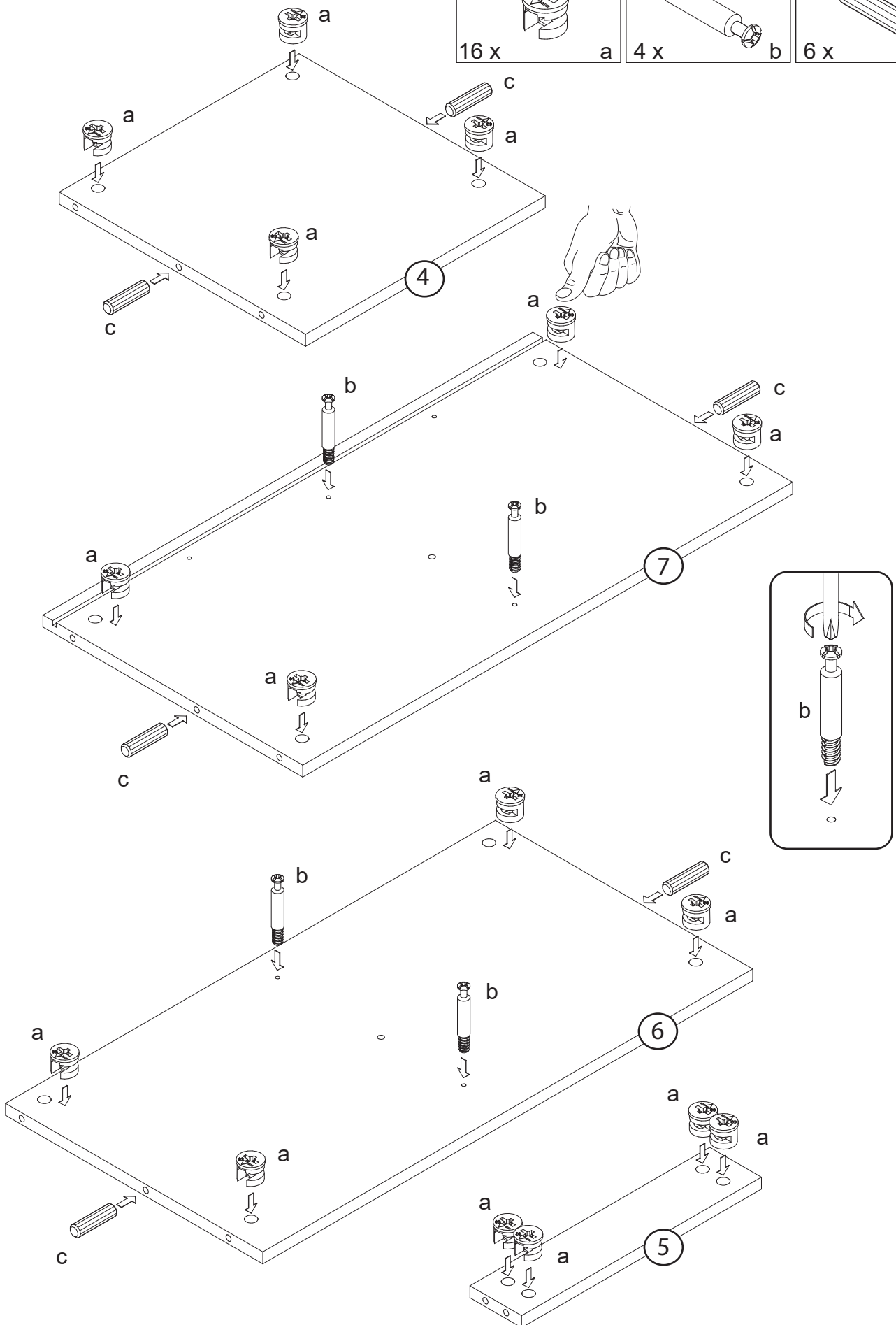
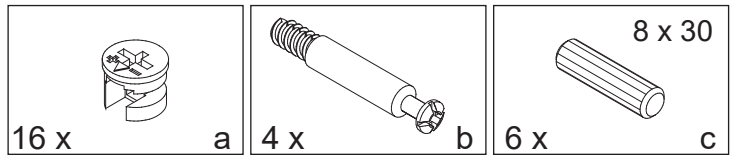
# 5



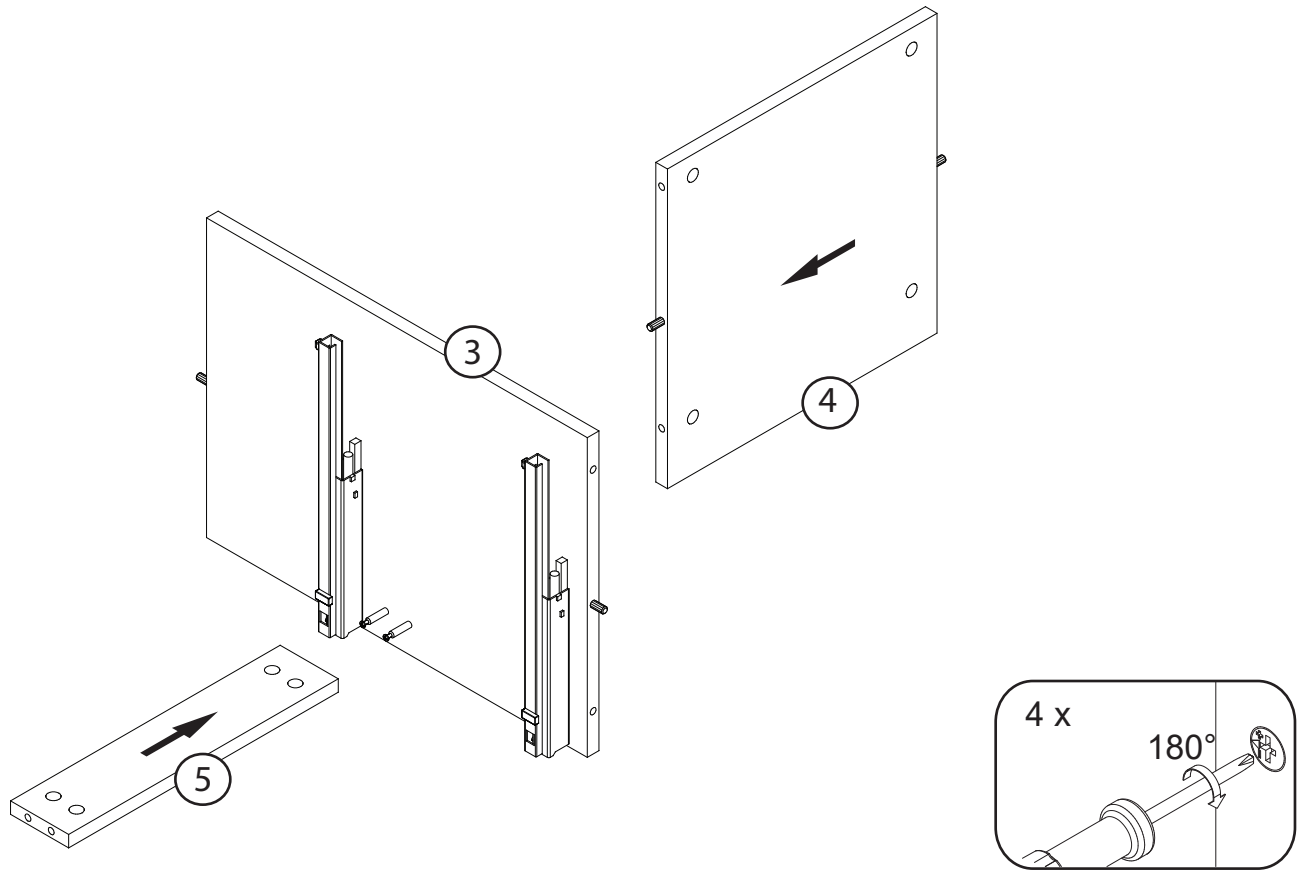
# 6



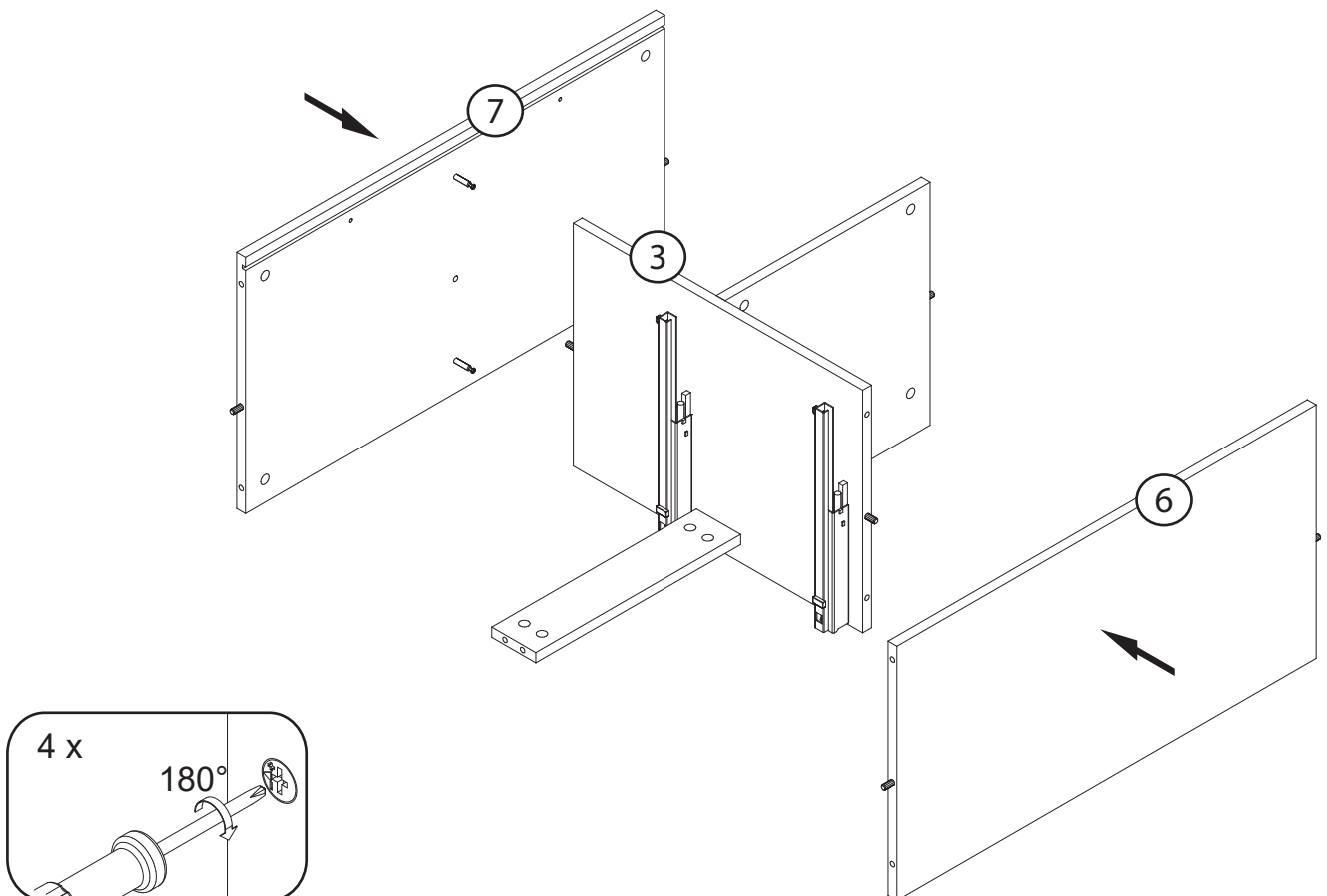




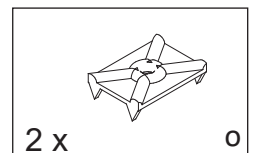
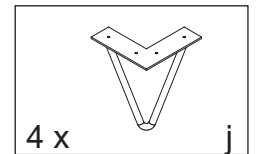
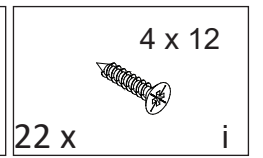
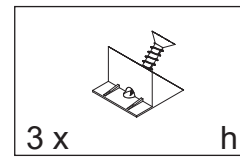
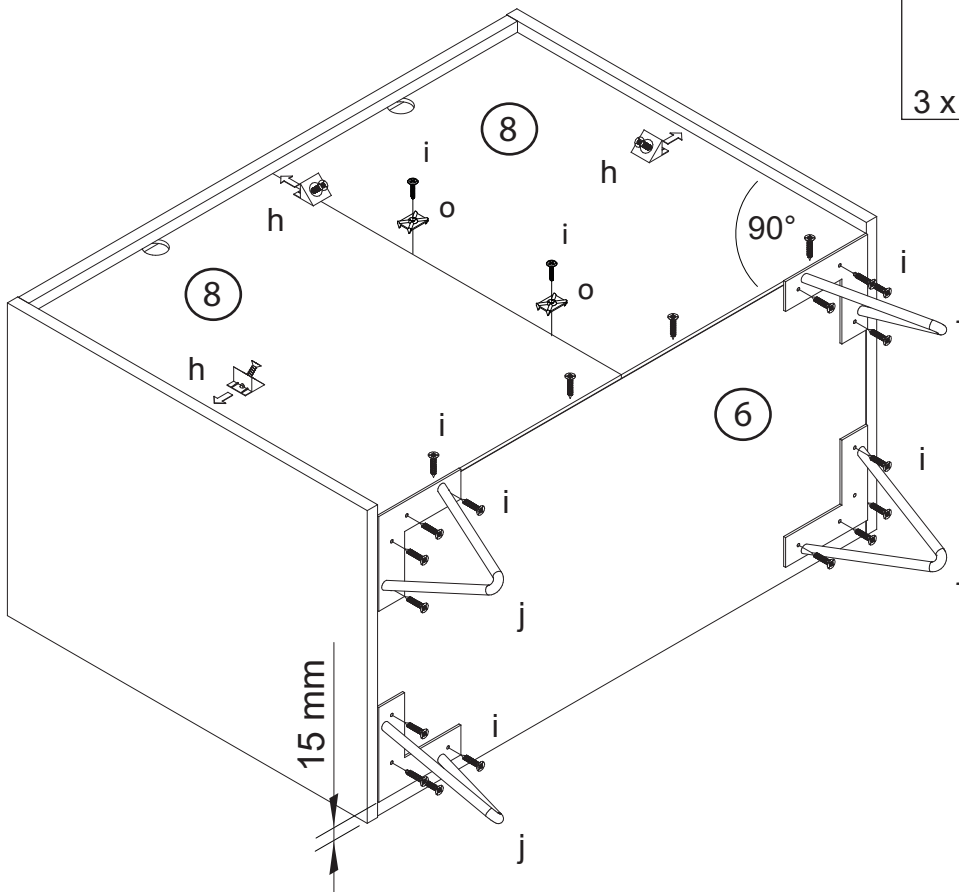
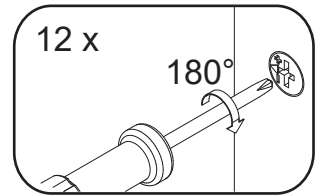
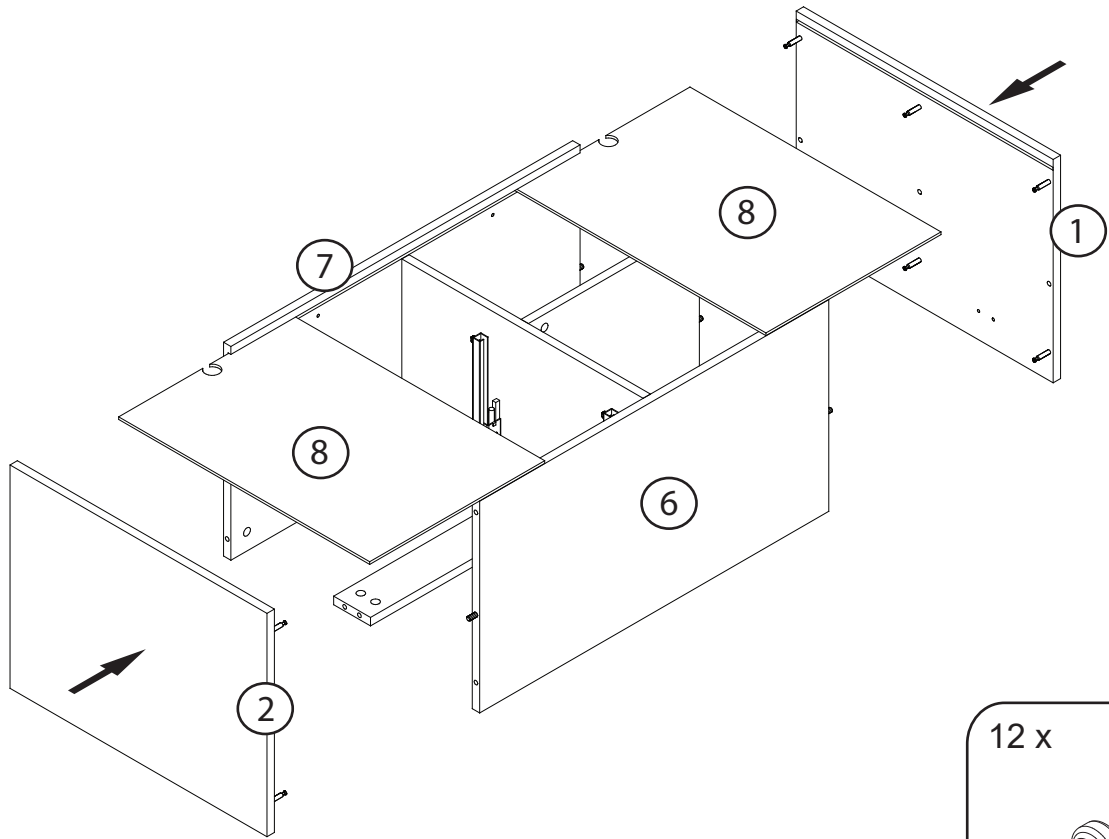
9



10







# 13

