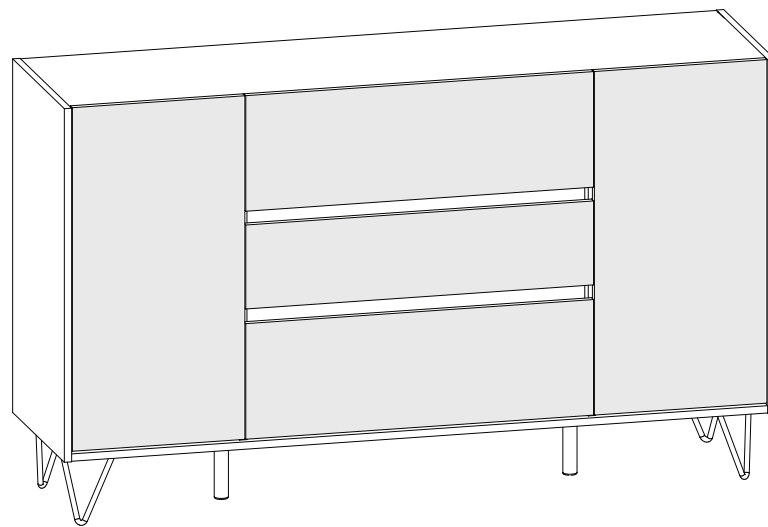
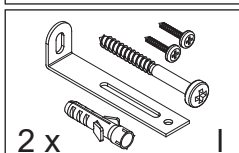
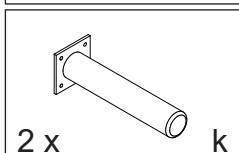
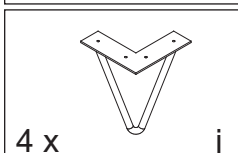
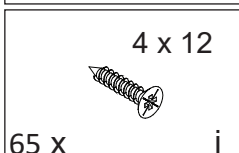
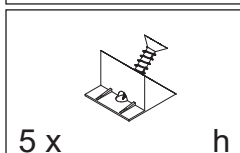
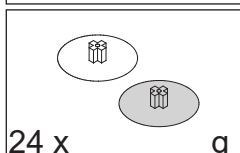
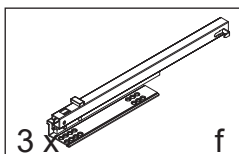
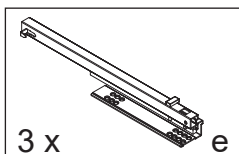
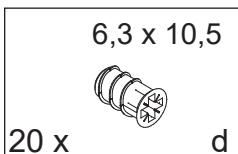
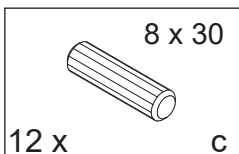
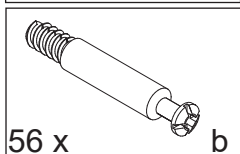
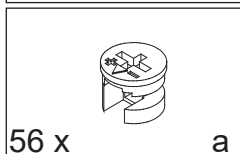
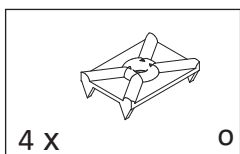
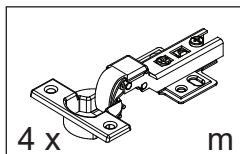
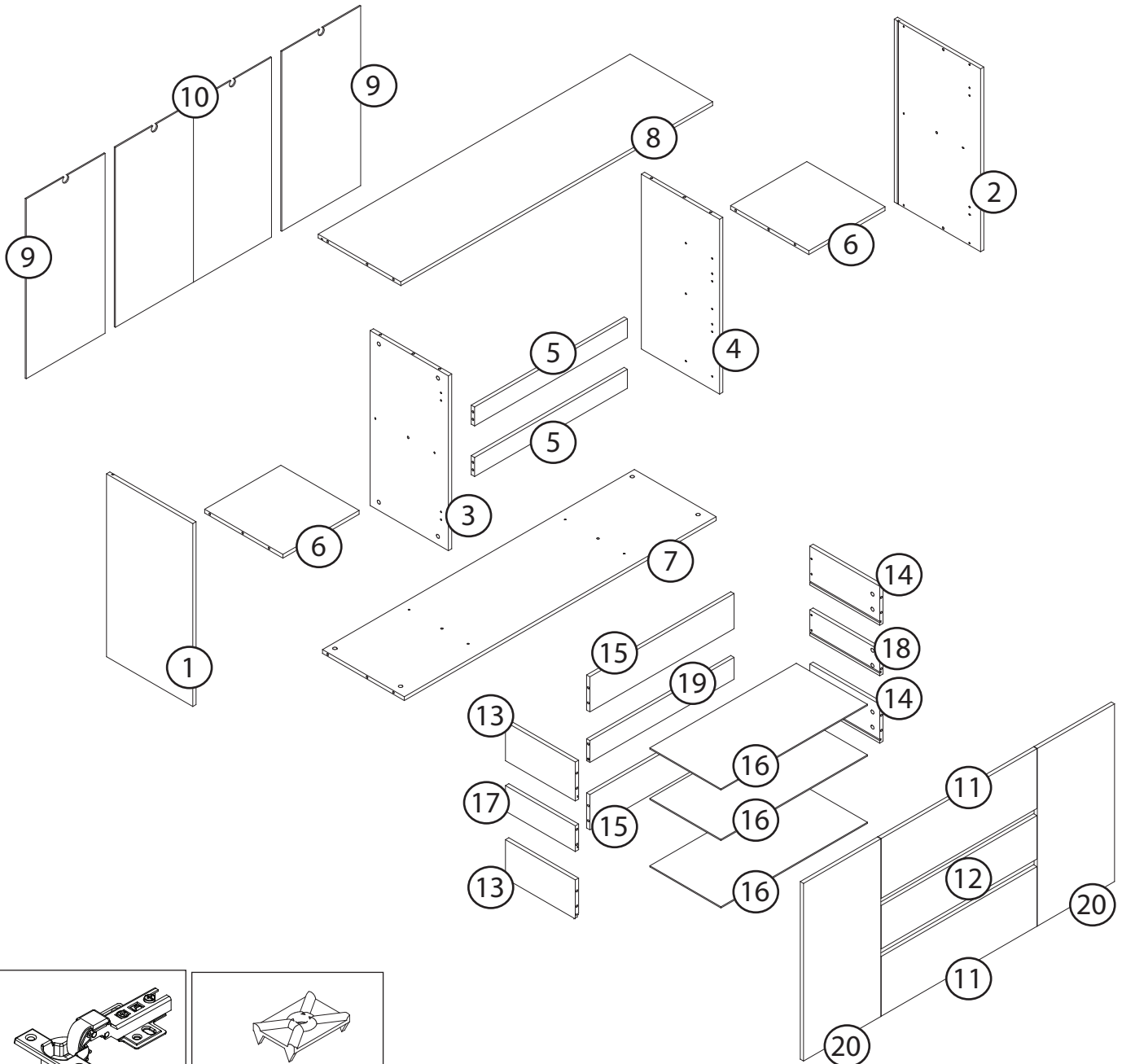
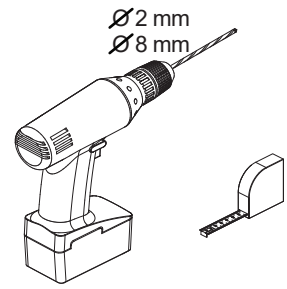
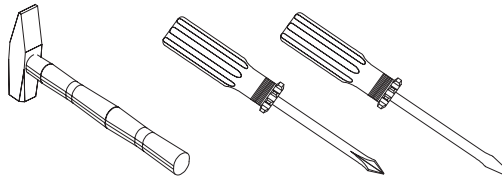
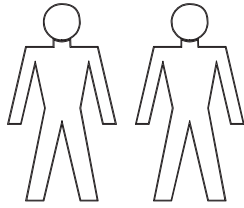
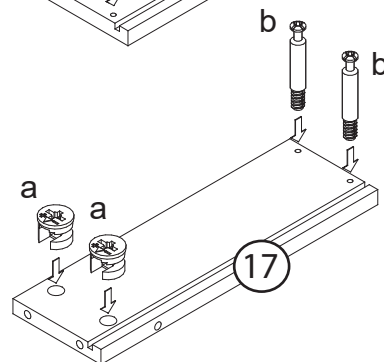
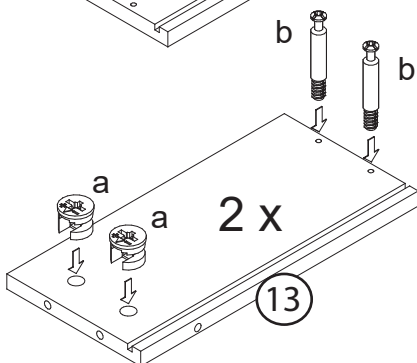
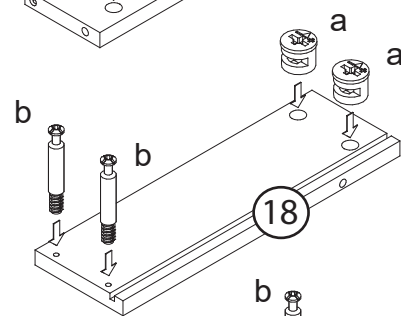
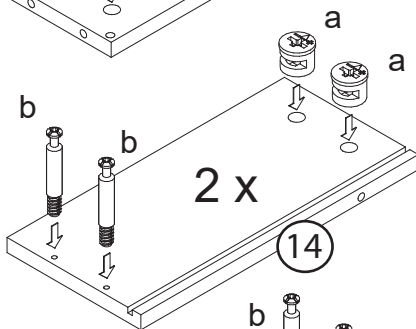
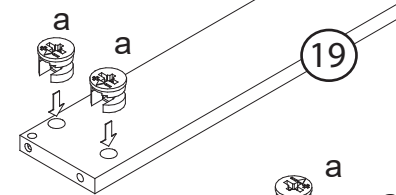
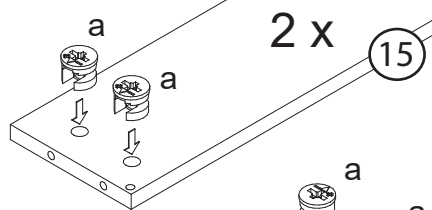
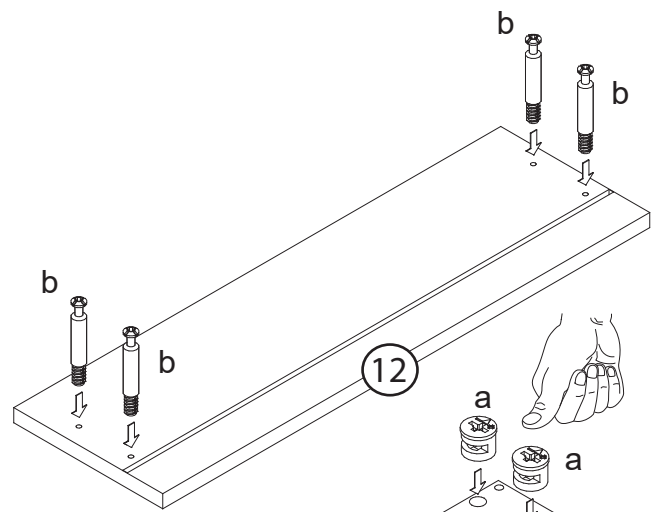
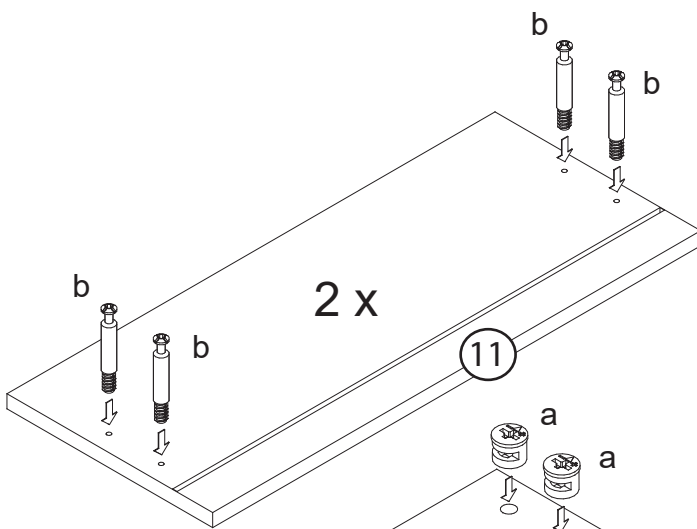
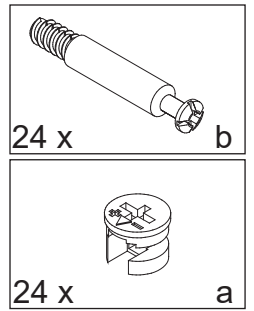
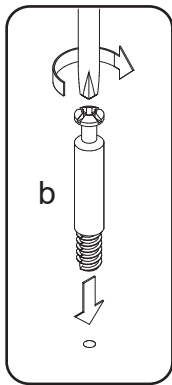


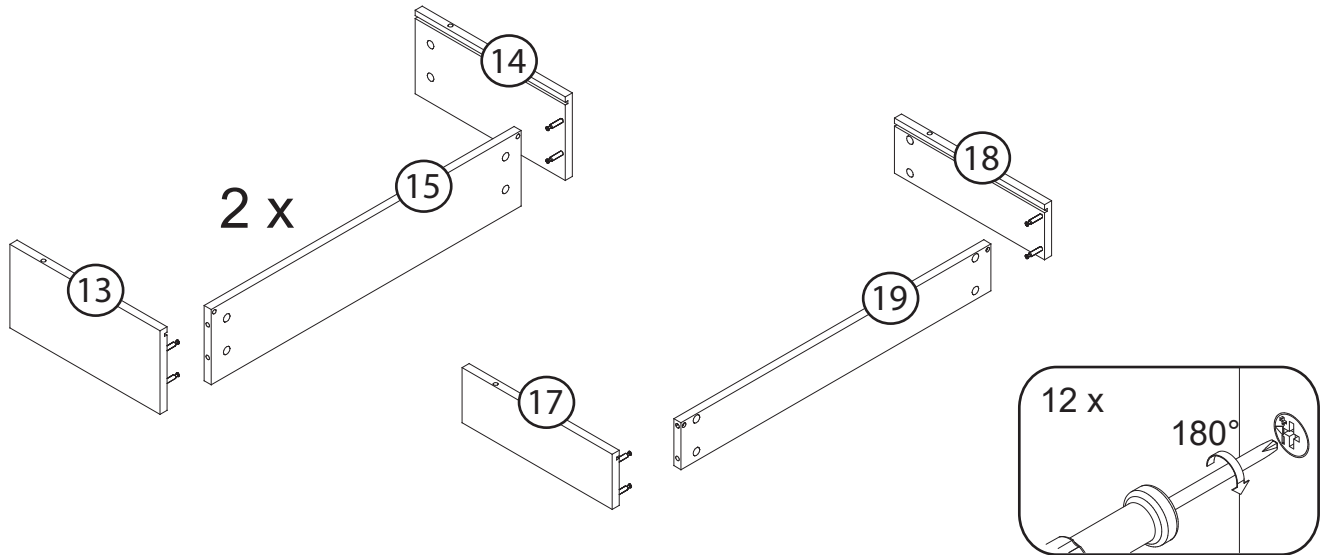
N2104



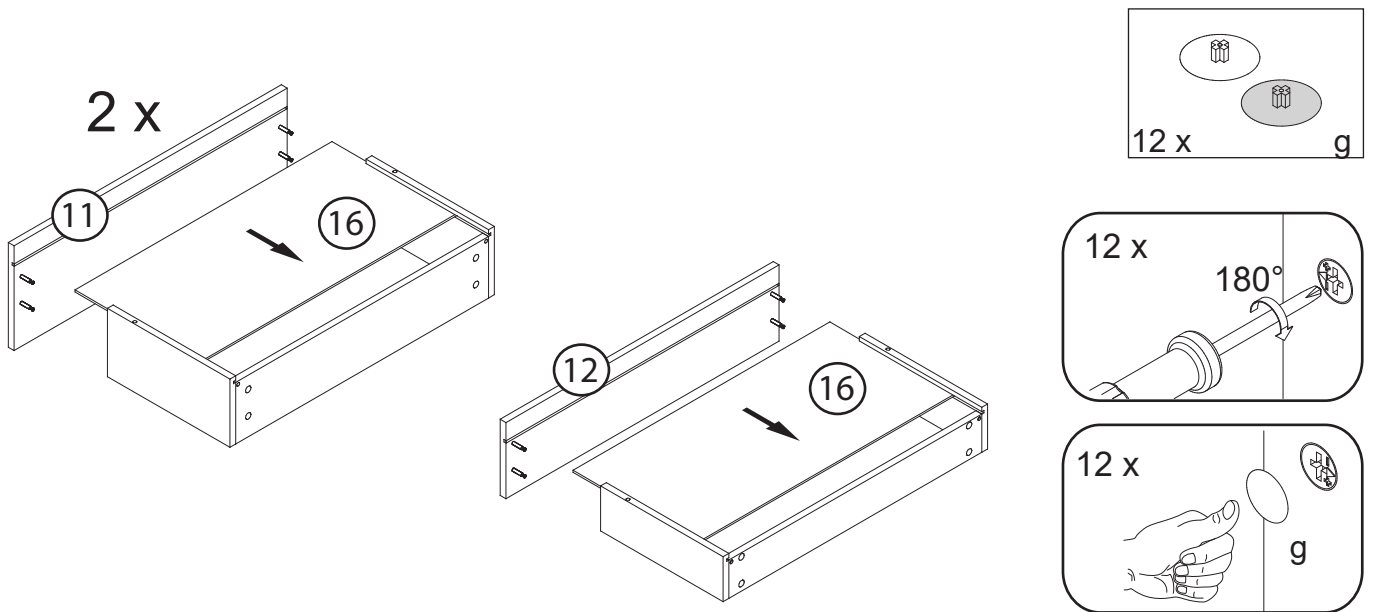




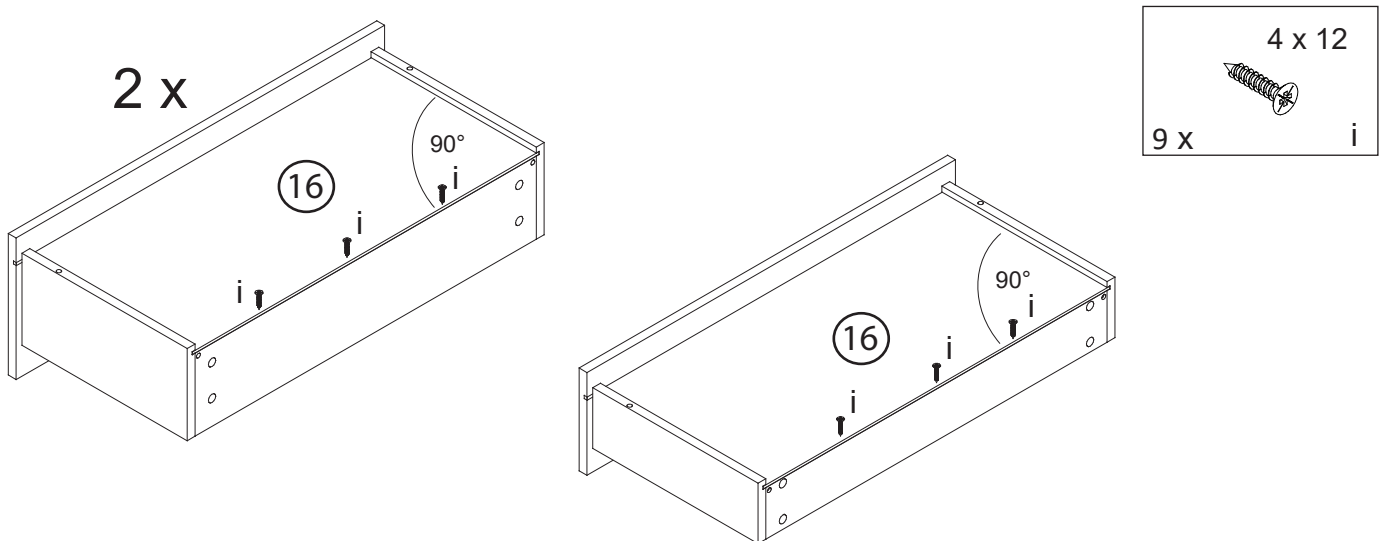
2



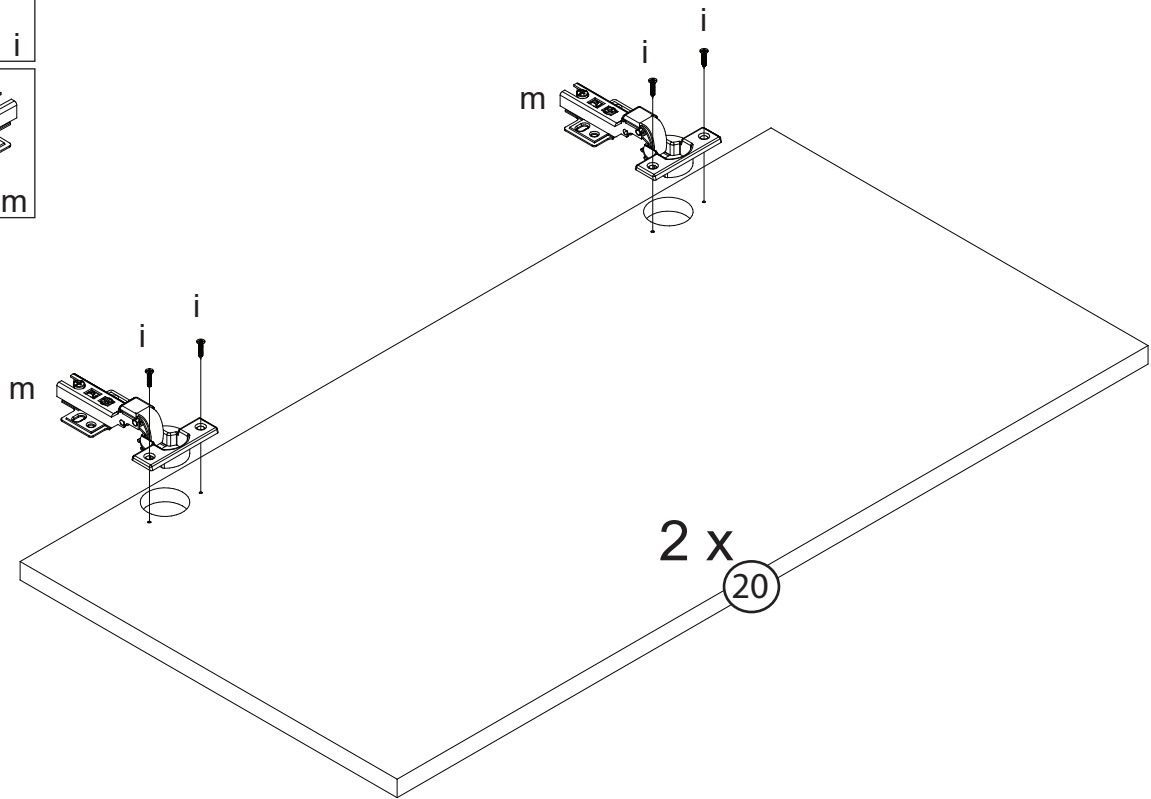
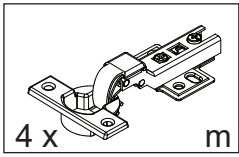
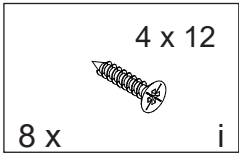
3



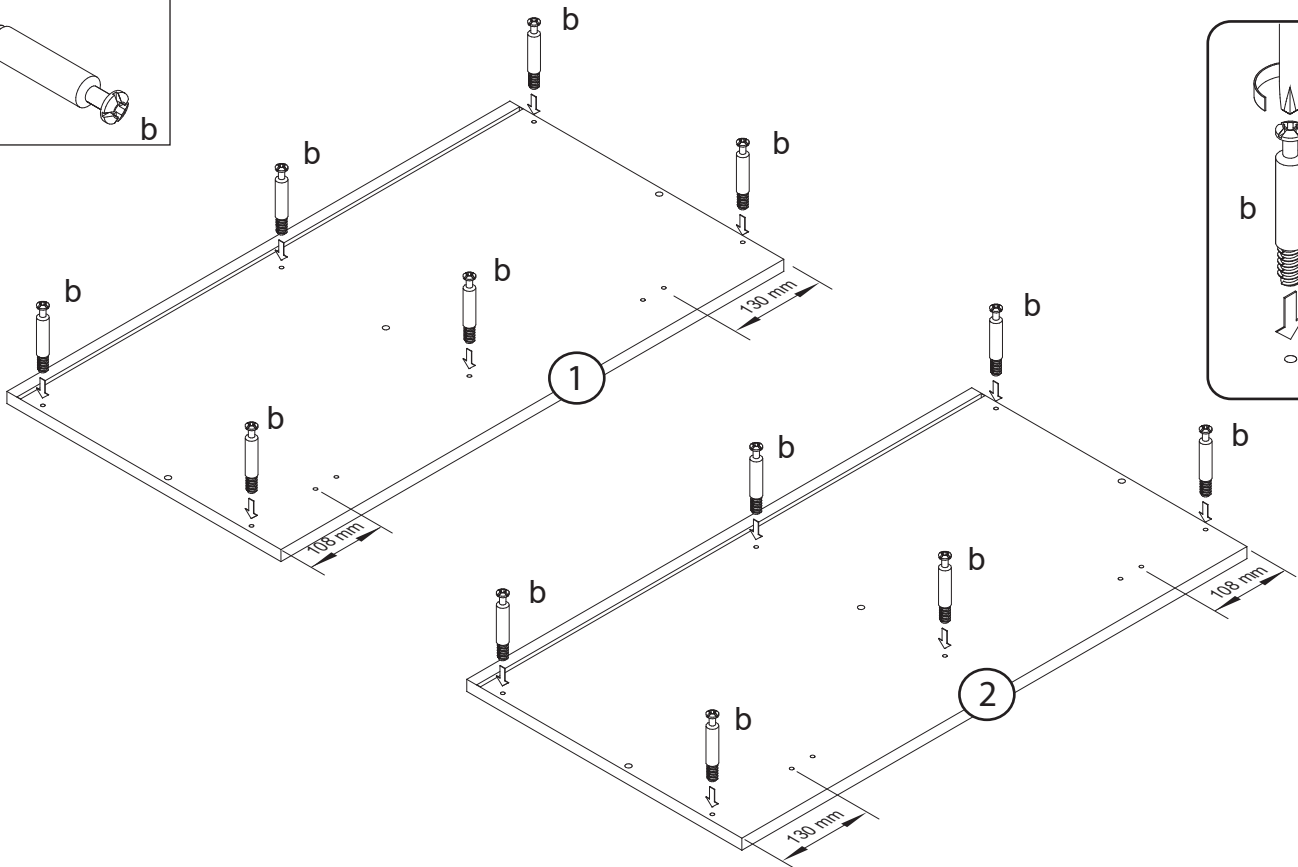
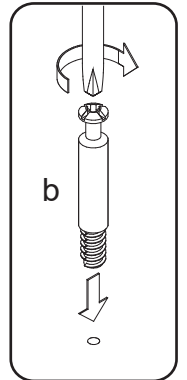
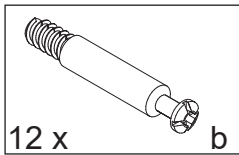
4

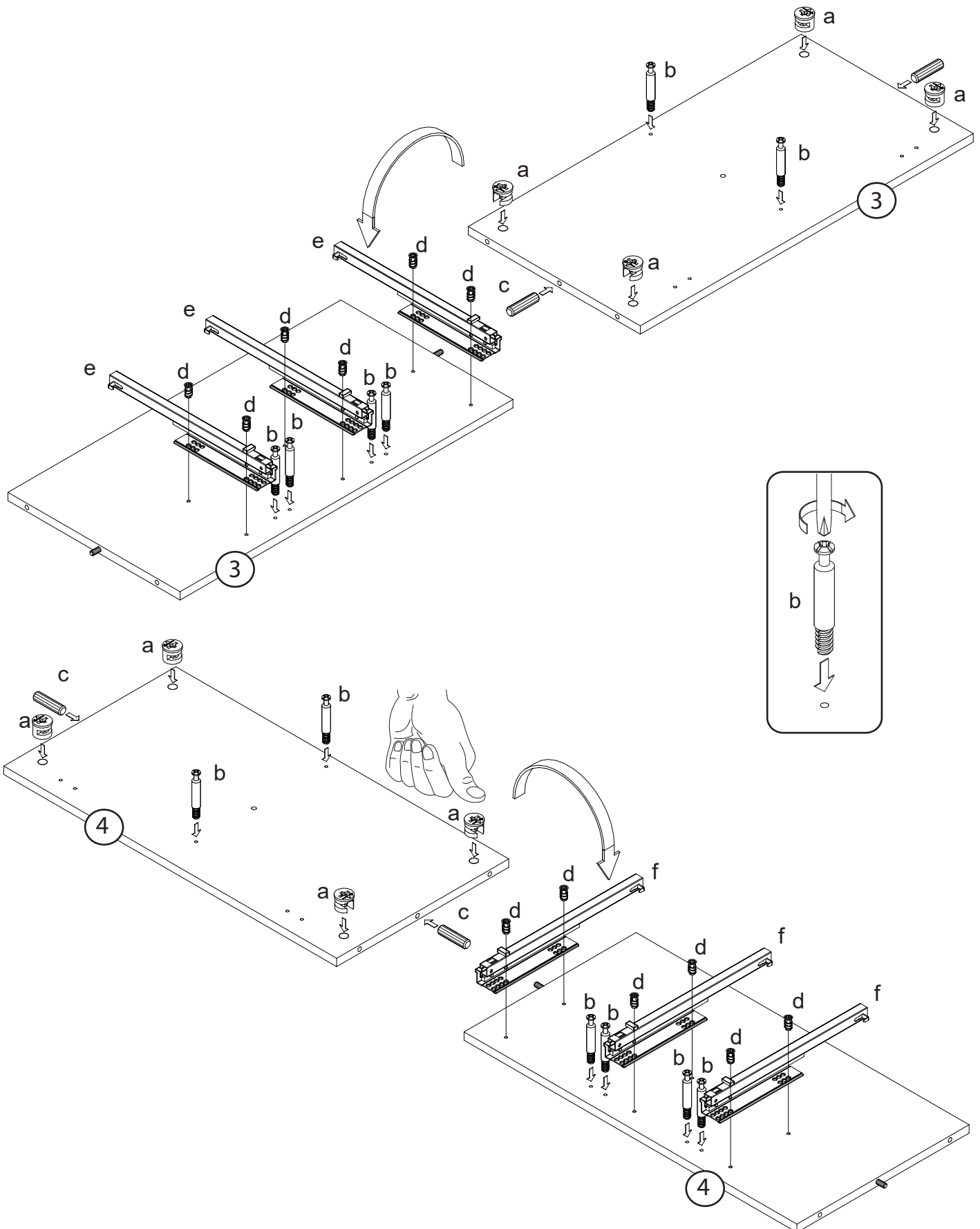
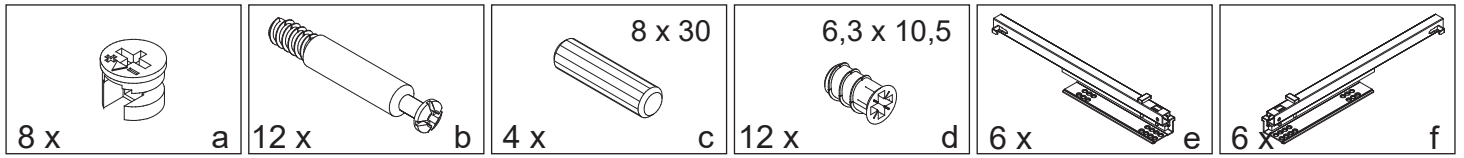


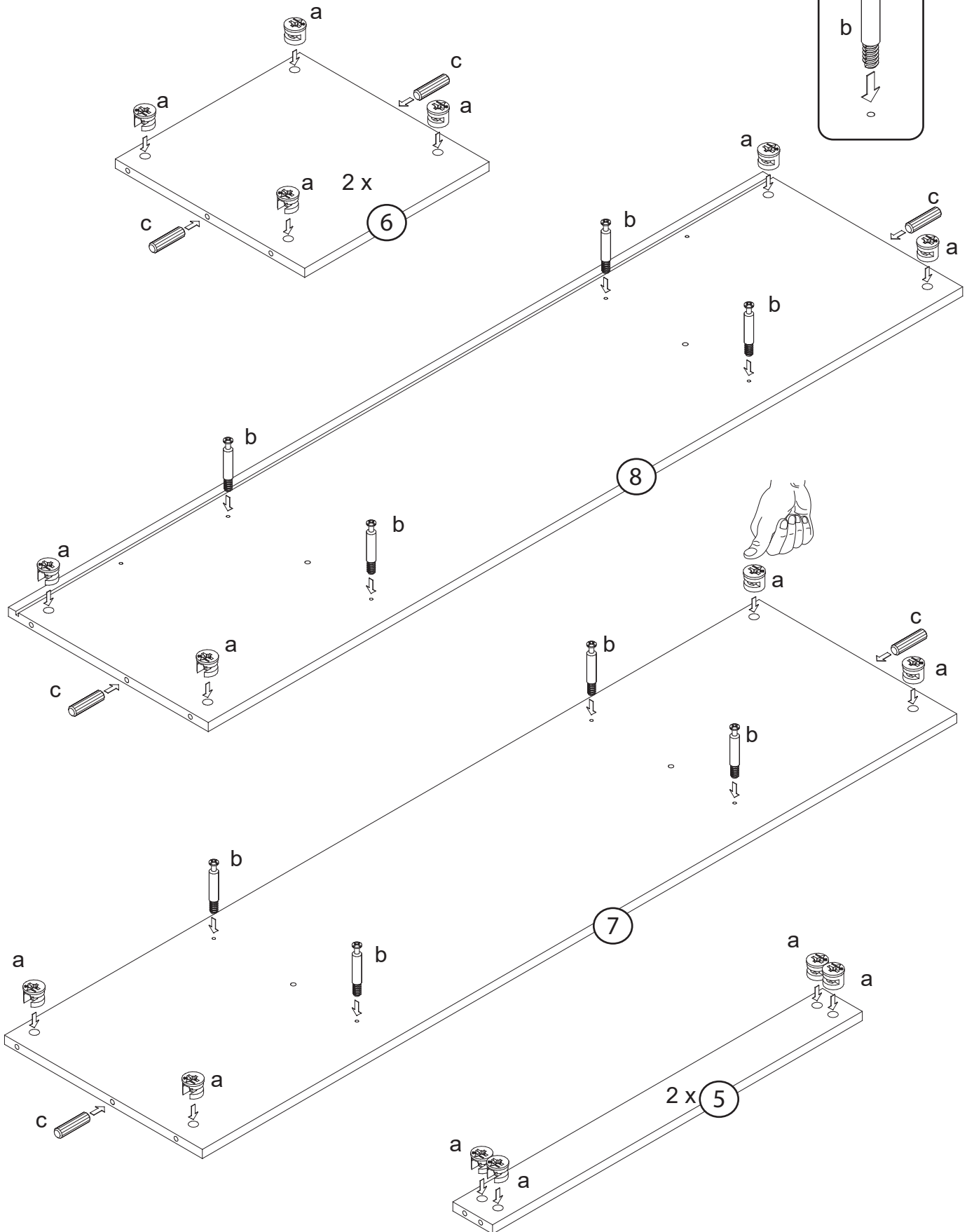
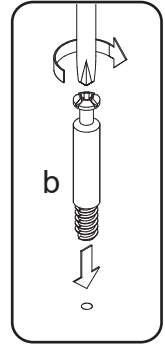
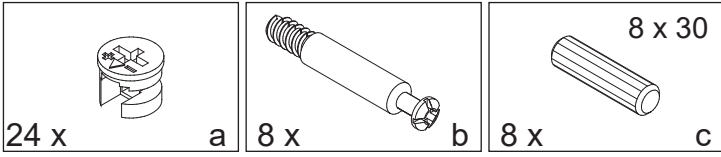
5 2 x



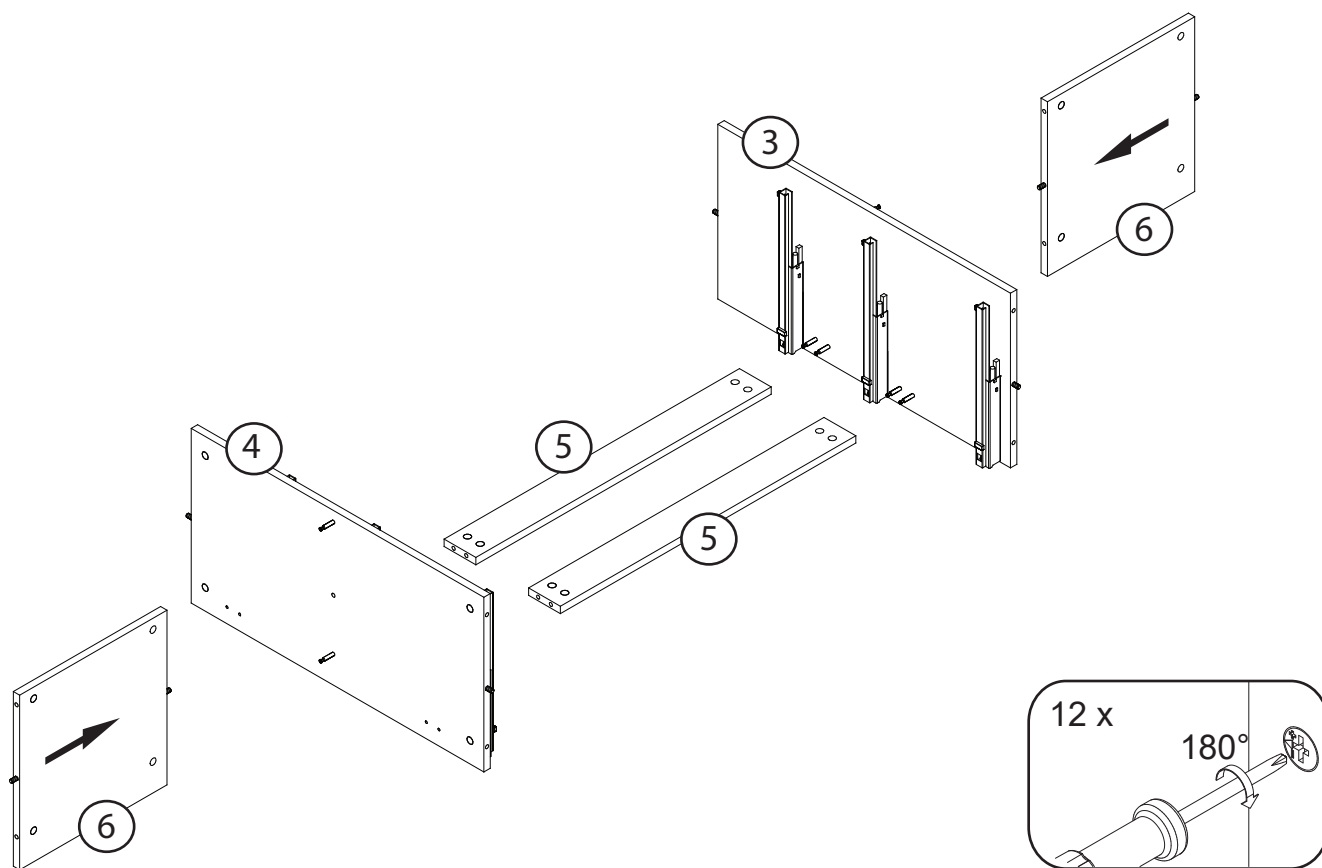
6



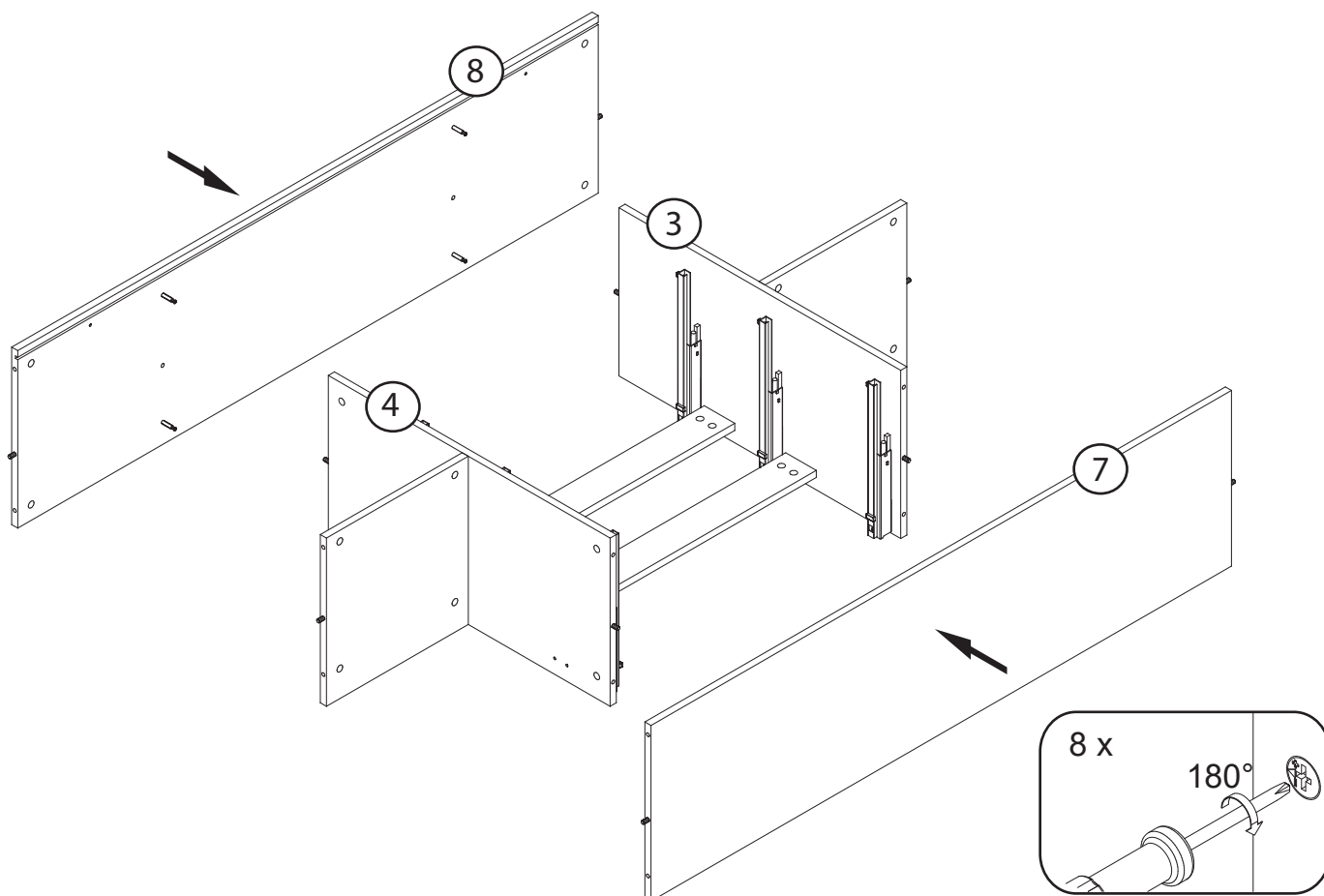


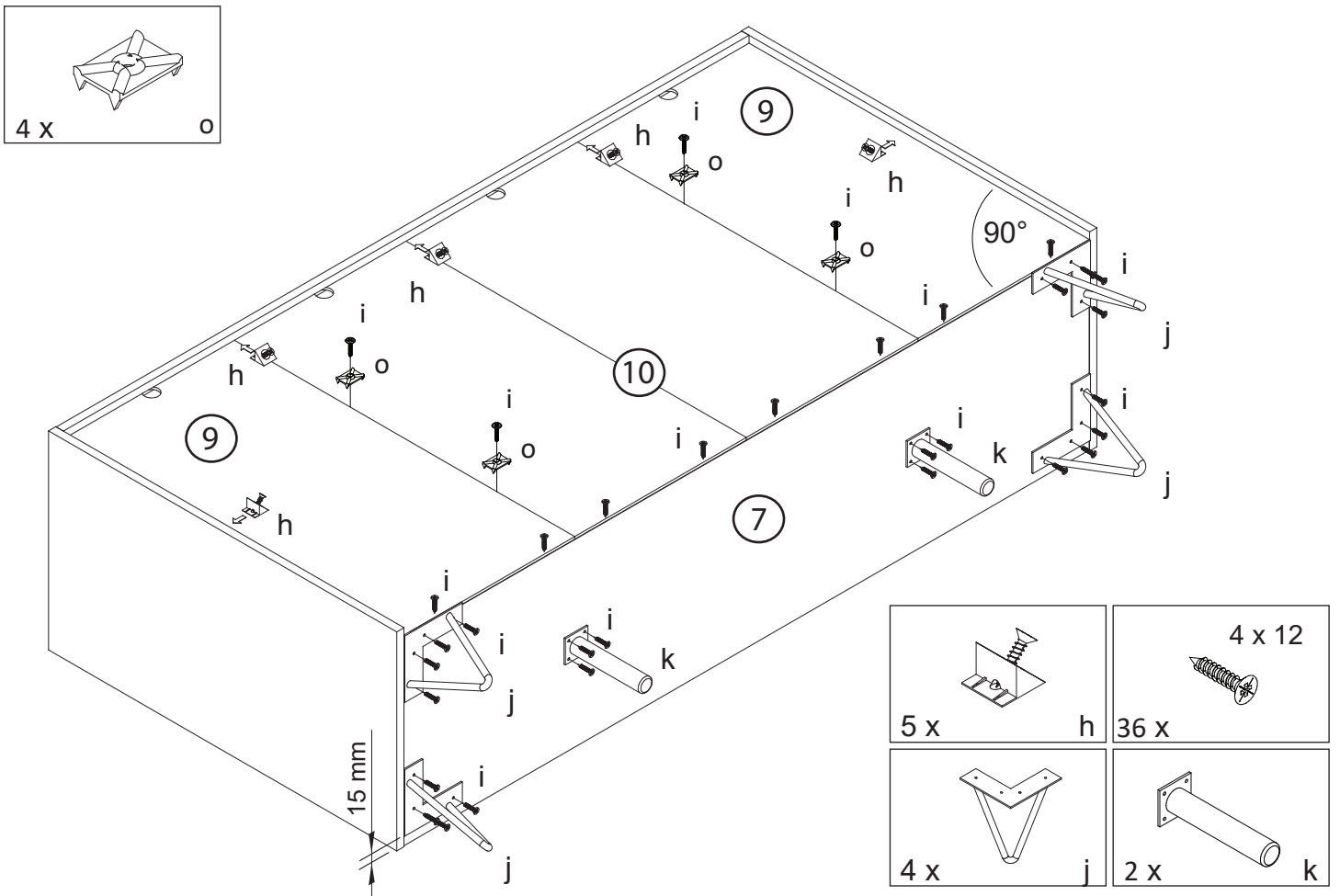
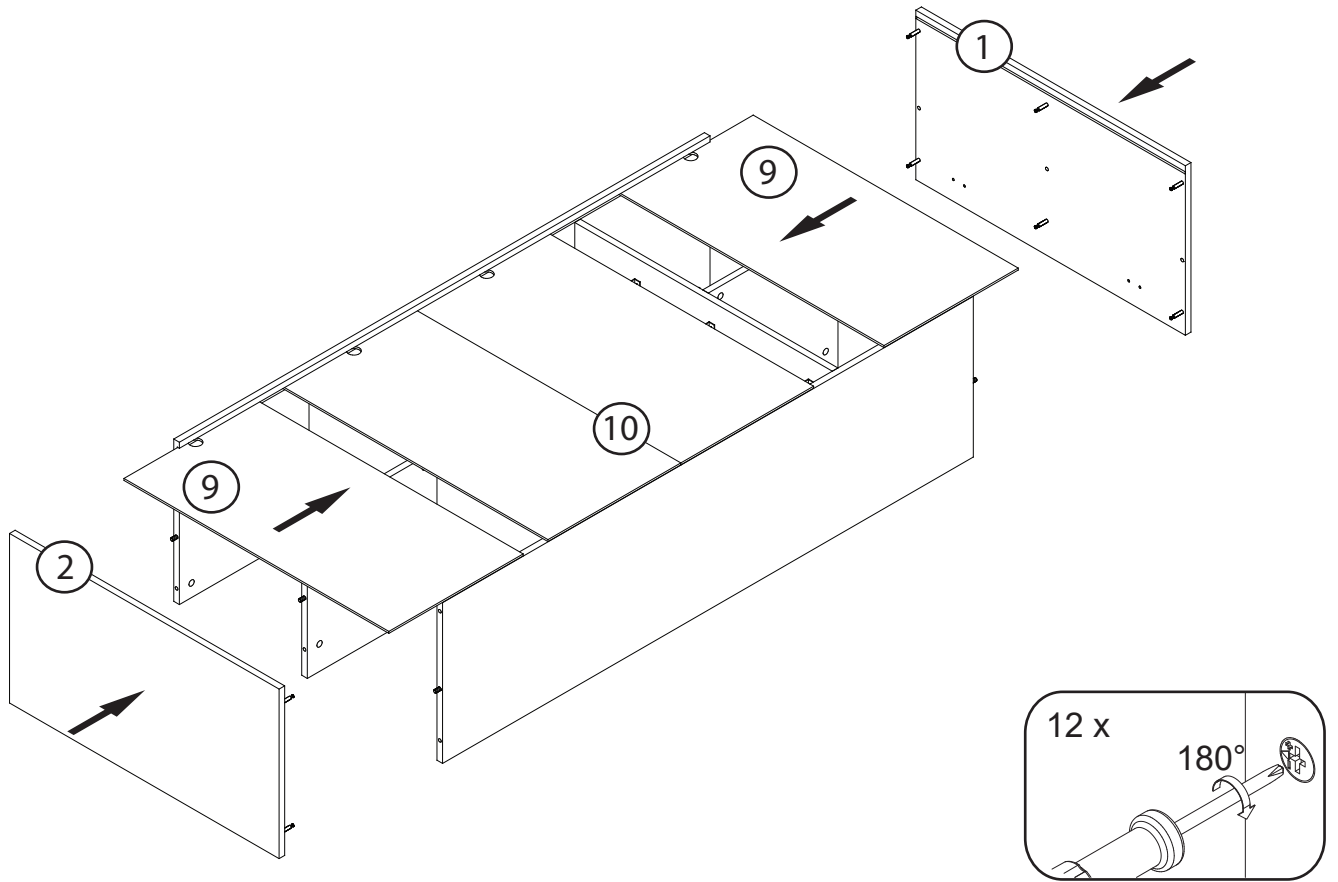


9

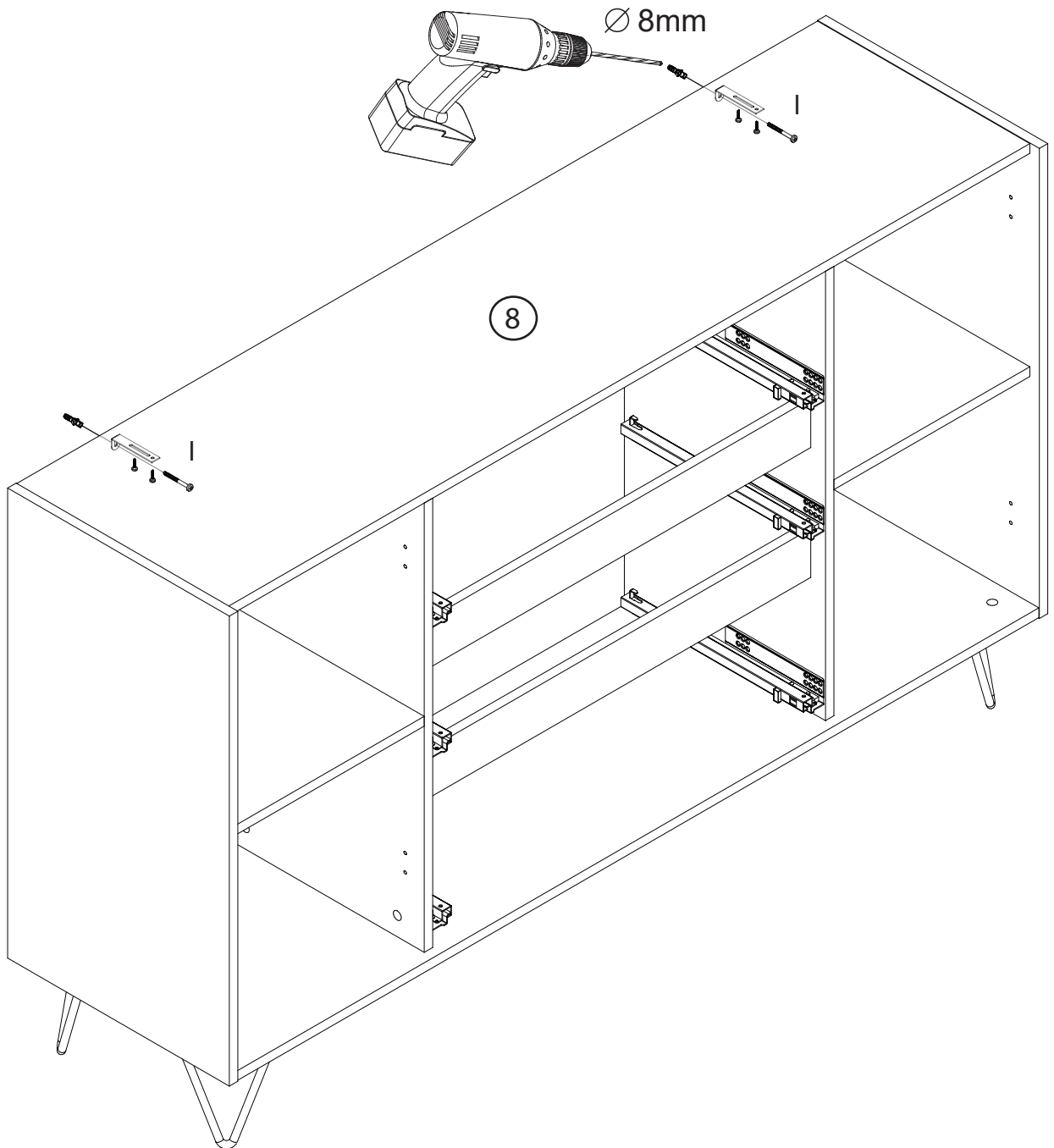
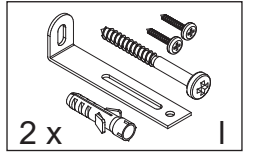
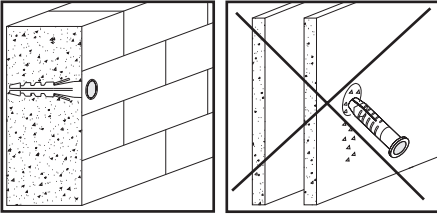


10





13



14

